



The Powerful Advantage Since 1945

La MARCHÉ

ISO 9001:2015 CERTIFIED

LMC-Sun Series

Hybrid Inverter (2K, 3K, 5K) Grid-Tied / Off-Grid



Shown above: LMSN-3KW-48V

The LMC-Sun Series is an intelligent power conversion and energy storage system combining functions of solar charger, battery charger and inverter. The LMC-Sun Series Hybrid operation allows the flexibility to operate as an Off-Grid inverter in the case of utility power loss. In contrast to single function traditional PV inverters; at normal operating conditions the LMC-Sun inverter can simultaneously feed in power back to the grid while charging the battery.

The LMC-Sun inverters allow for cost efficient operation by supporting self-consumption via the battery when PV energy is low. All LMC-Sun models are equipped with a powerful and easy to use LCD controller interface. Available with adjustable charging current feature for different battery technologies.

Standard Features

MPPT Charge Controller to Optimize Charging Efficiency

Multiple Modes of Operation: Grid-Tie, Off-grid and Grid-Tie with Backup Battery

Feed-In into the Utility Power Grid and Supports Local Load (Self-Consumption)

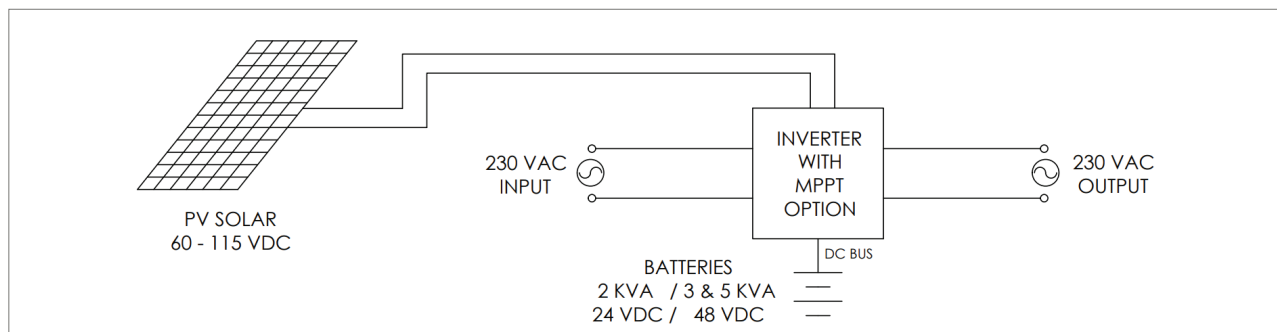
Ability to Set the Primary Supply Between PV, Grid or Battery

Adjustable Charging Voltage and Current to Accommodate Different Battery Technologies

Pure Sine-Wave Output

Remote Monitoring for Real-Time Status and Control

Parallel Operation of up to 6 Units



Specifications subject to change without notice

La Marche Mfg. (A U.S. Company)

106 Bradrock Drive, Des Plaines, IL 60018

Tel: 847.299.1188 Fax: 847.299.3061

sales@lamarchemfg.com

www.lamarchemfg.com



Specifications

Model Number		LMSN-2KW	LMSN-3KW	LMSN-5KW	
Phase		1 Phase			
Maximum PV Input Power		2000 W	4500 W	6000 W	
Rated Output Power		2000 W	3000 W	5000 W	
Parallel Operation		N/A	Up to 6 Units	Up to 6 Units	
Grid-Tie Operation					
Grid Output (AC)	Nominal Output Voltage	220/230/240 VAC			
	Output Voltage Range	195.5-253 VAC			
	Nominal Output Current	8.7 A	13 A	21.7 A	
	Power Factor	>0.99%			
PV Input (DC)	Maximum DC Voltage	145 VDC			
	MPP Voltage Range	30~115 VDC	60~115 VDC	60~115 VDC	
	Number of MPP Trackers	1	1	2	
	Maximum Conversion Efficiency (DC/AC)	90%			
Off-Grid / Hybrid Operation					
AC Input	Acceptable Input Voltage Range	170-280 VAC			
	Maximum Input AC Current	30 A	40 A	40 A	
Battery Mode Output (AC)	Nominal Output Voltage	220/230/240 VAC			
	Output Waveform	Pure Sine Wave			
	Efficiency (DC to AC)	93%			
Battery Charger	Nominal DC Voltage	24 VDC	48 VDC	48 VDC	
	Charging Current	Solar	80 A	80 A	120A
		AC	60 A		
		Maximum	140 A	140 A	180 A
General					
Physical	Dimensions D x W x H in (mm)	3.9 x 11.8 x 17.3" (100 x 300 x 400mm)	4.7 x 11.6 x 18.4" (120 x 295 x 468mm)	7.4 x 11.6 x 19" (190 x 295 x 483mm)	
	Net Weight lbs (kg)	17.6 lbs (8 kg)	24.2 lbs (11 kg)	35.3 lbs (16 kg)	
Interface	Communication Ports	USB or RS323 / Dry Contacts			
Environment	Humidity	0-90% RH (Non-Condensing)			
	Operating Temperature	32 - 122°F (0-50°C)			

Model Number Nomenclature

