



Residential Energy Storage System

Wolfram-3600-INV / Wolfram-5000-INV

Key Features

User Friendly

- Easy installation and operation
- Ultra silent design, noise < 25dB
- Multiple working modes can be chose according to the requirements

Safety

- Fanless design, longer service life
- IP65 Protection degree, suitable for indoor and outdoor use
- UPS function to ensure stable operation of critical loads

High Efficiency

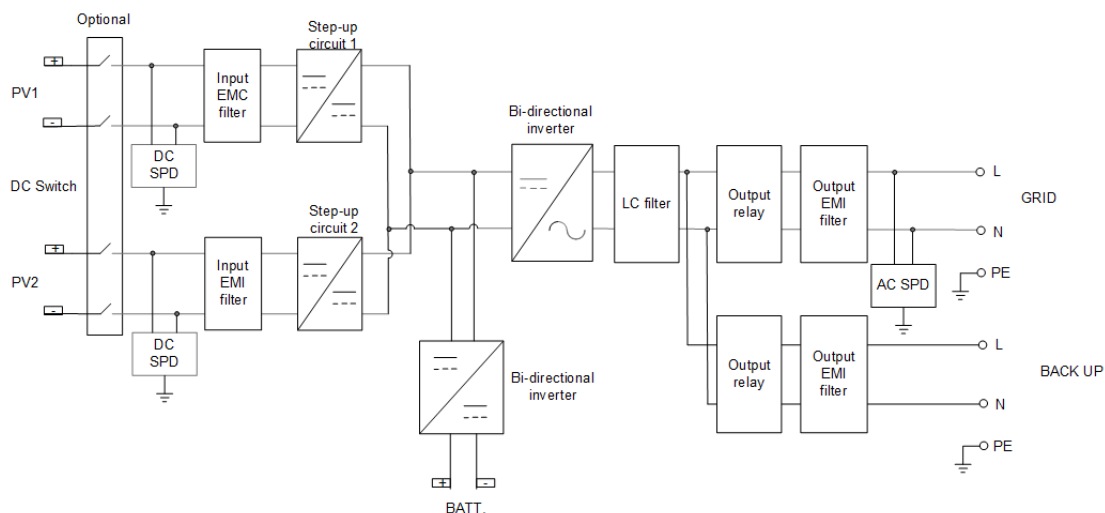
- Maximum efficiency: 97.8%
- Double MPPT design, wide MPPT voltage range

Smart

- EMS guarantees the reliability and economy of electricity consumption
- The system can be monitored anytime and anywhere by web or mobile APP
- Compatible with on-grid and off-grid applications
- The grid-connected power of the system can be adjusted flexibly
- Multiple communication: RS485/GPRS/WIFI



Function Diagram



Technical Data	Wolfram-3600-INV	Wolfram-5000-INV
DC Input Data		
Max. PV array power	4000W	5500W
Max. PV input voltage	600Vdc	
MPPT voltage range	125Vdc ~ 500Vdc	
Max. PV input current	11×2A	
On-grid Output Data		
Rated power	3600W	5000W
Rated AC output voltage	220/230/240Vac	
Grid voltage range	-10% ~ +10% (settable)	
Grid frequency range	47.5~52.5Hz/57.5~62.5Hz	
Rated output current	15.7A	21.7A
Power Factor	> 0.99 (at rated power)/0.8 (leading)~0.8 (lagging)	
Max. efficiency	97.80%	
European efficiency	97.20%	
THDi (%)	< 1.5% (at rated power)	
Battery Inverter (Emergency Mode)		
Rated output voltage	220/230/240Vac	
Output frequency	50(60)±0.5Hz	
Output Power	2500W/3500VA	
Switchover time (ms)	6ms	
Voltage harmonic	<2% (linear load)	
Charge/Discharge		
Rated voltage	48Vdc	
Max. charging power	2500W (settable)	
Max. charging current	50A (settable)	
Max. discharging power	2500W	
Max. discharging current	60A	
Battery type	Ferric phosphate / three-element lithium / lead acid / lead carbon	
System		
Installation mode	Wall-mounted	
IP Grade	IP65	
Cooling type	Natural air cooling	
Noise emission	≤25dB	
Human-machine interface	LED/Cloud monitoring mobile APP	
Relative humidity	0 ~ 100%	
Working temperature	-25~60℃	
Installation altitude	3000m	
Grid connection standard	VDE0126-1-1, VDE-AR-N4105,G83/2, G59/3, AS4777.2/.3, ERDF, CEI 0-21	
Safety regulation	IEC62109-1, IEC62109-2, AS62040-1-1	
EMC	EN61000-6-3, EN61000-6-2	
Communication interface	RS485 (standard, Modbus protocol) /WiFi (optional) /GPRS (optional)	
Optional components	DC switch, CT, electric meter	
Dimensions (W×H×D)	480×186×420mm	
Weight	25kg	