

# AKADEMİ®

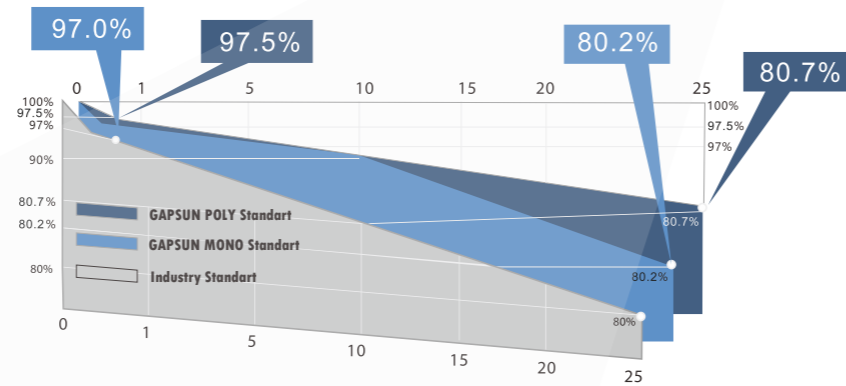
## 60

AKADEMİ series (Super-efficiency Half-Cell Modules) Assembled with the advanced half-cell technology offer the advantages of higher power output, reduced series resistance loss, and lower risk of hot spot. In order to meet the Clients requirements of best quality and efficiency.

### 60 cells Bigger PERC Cell



## LINEAR PERFORMANCE WARRANTY



Smaller electric current, less CTM loss  
Lower risk of hot spot



Wind load up to 3800Pa  
Snow load up to 5400Pa



0-5W positive power sorting



Stable performance under weak light conditions



25-year power warranty  
10-year product warranty

## MONO

	GAP-310M		GAP-315M		GAP-320M		GAP-325M		GAP-330M	
	STC	NOCT	STC	NOCT	STC	NOCT	STC	NOCT	STC	NOCT
Maximum Power (Pmax)	310W	229W	315W	233W	320W	237W	325W	241W	330W	245W
Open Circuit Voltage (Voc)	39.80V	37.28V	40.12V	37.72V	40.43V	38.15V	40.74V	38.59V	41.05V	39.01V
Short Circuit Current (Isc)	10.05A	7.94A	10.12A	7.98A	10.19A	8.02A	10.26A	8.06A	10.33A	8.10A
Voltage at Maximum Power (Vmpp)	32.56V	30.57V	32.85V	30.94V	33.13V	31.31V	33.40V	31.67V	33.67V	32.03V
Current at Maximum Power (Impp)	9.52A	7.49A	9.59A	7.53A	9.66A	7.57A	9.73A	7.61A	9.80A	7.65A
Module Efficiency (%)	18.77%		19.08%		19.38%		19.68%		19.98%	

## POLY

	GAP-275P		GAP-280P		GAP-285P		GAP-290P		GAP-295P	
	STC	NOCT	STC	NOCT	STC	NOCT	STC	NOCT	STC	NOCT
Maximum Power (Pmax)	275W	204W	280W	208W	285W	212W	290W	216W	295W	220W
Open Circuit Voltage (Voc)	38.27V	36.03V	38.57V	36.32V	38.84V	36.59V	39.14V	36.86V	39.41V	37.13V
Short Circuit Current (Isc)	9.37A	7.41A	9.45A	7.49A	9.54A	7.57A	9.62A	7.65A	9.71A	7.73A
Voltage at Maximum Power (Vmpp)	30.88V	29.39V	31.15V	29.63V	31.39V	29.86V	31.66V	30.08V	31.90V	30.30V
Current at Maximum Power (Impp)	8.91A	6.94A	8.99A	7.02A	9.08A	7.10A	9.16A	7.18A	9.25A	7.26A
Module Efficiency (%)	16.65%		16.96%		17.26%		17.56%		17.86%	

## Packing Configuration

Container	20'GP	40'GP
Pieces per pallet	30	30
Pallets per container	12	28
Pieces per container	360	840

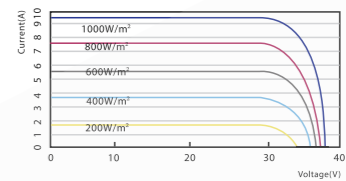
## Mechanical Characteristics

Solar Cell	Mono/Poly
No. of Cells	60(6x10)
Dimensions	1658x996x35mm
Weight	19.5 kgs
Front	Glass 3.2mm tempered glass
Frame	Anodized aluminium alloy
Junction Box	IP68 rated(3 by pass diodes)
Output Cables	4.0mm <sup>2</sup> , symmetrical length (-)900mm and (+)900mm
Connectors	MC4 compatible
Mechanical load test	5400Pa

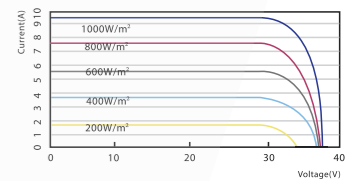
## 60 cells

## AKADEMİ

### GAP-275P/I-V

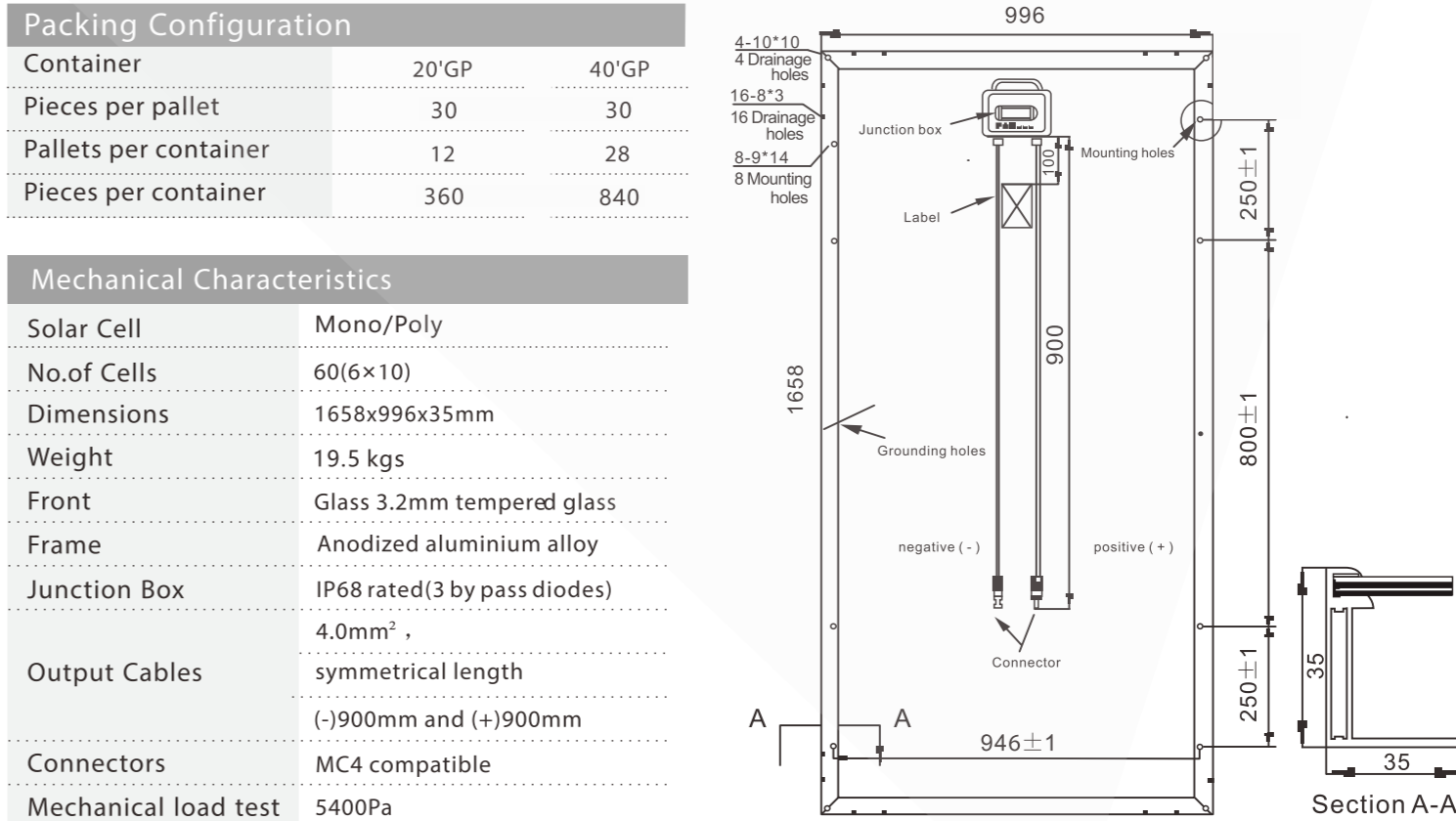


### GAP-300M/I-V



STC: Irradiance 1000W/m<sup>2</sup>, cell temperature 25°C, AM1.5G  
NOCT: Irradiance 800W/m<sup>2</sup>, ambient temperature 20°C,  
wind speed 1m/s, AM1.5G

Operating Module Temperature	-40°C to +85°C
Maximum System Voltage	1500V DC(IEC) 1000V DC(UL)
Maximum Series Fuse Rating	20A
Power Tolerance	0/+5W
Temperature Characteristics	
Nominal Operating Cell Temperature (Noct)	45±2°C
Temperature Coefficient of Pmax	-0.36%/°C
Temperature Coefficient of Voc	-0.29%/°C
Temperature Coefficient of Isc	0.05%/°C



AKADEMİ SOLAR  
GAZIANTEP ÜNİVERSİTESİ  
info@akademisolar.com  
www.akademisolar.com

