



POTISCUBE C&I ESS

PotisCube-A Air Cooling Series ESS

One-stop solutions for Commercial and Industrial(C&I) facilities

Commercial & Industrial Energy Storage System

Schools, factories, petrol stations, and other commercial buildings with high levels of energy demand can maximize their energy independence and reduce grid power demand with solar PV and battery storage. iPotisEdge provides one-stop solutions for commercial and industrial facilities seeking to save on electricity bills, reduce exposure to rising energy prices, generate additional revenues from renewable energy, and reduce their environmental impacts.

Outdoor/Indoor Distributed Energy Storage System



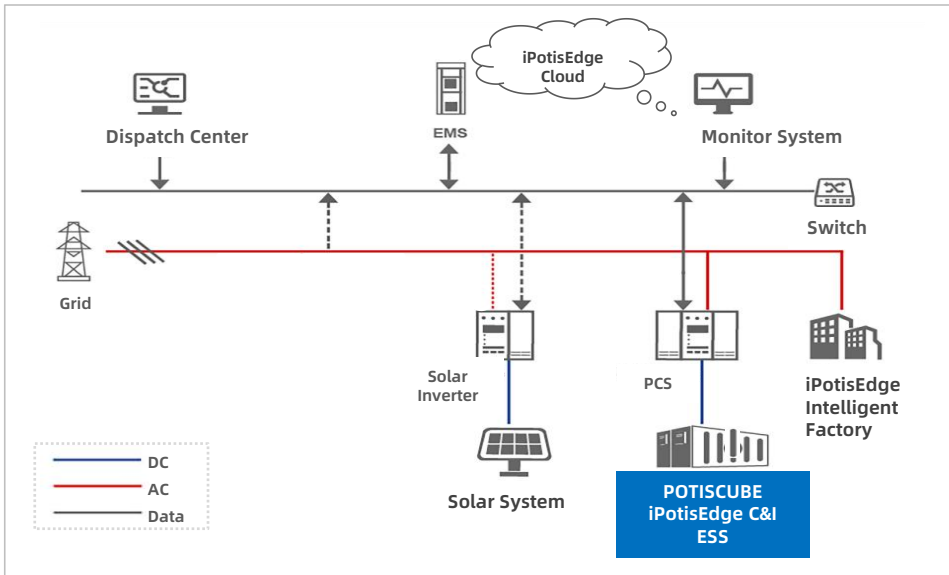
Flexible and Reliable Delivery

- ✓ Efficient and flexible delivery solutions to our customers from 32kWh to 4.2MWh
- ✓ One stop solution from BMS,PACK,RACK,system,EMS, installation and O&M



Premium Quality Assurance

- ✓ Integration with ISO 26262 & IATF 16949, bring higher quality control system and standards
- ✓ Quality assurance and control is involved at all stages to ensure that our products are of the highest quality and are safe & reliable



PotisCube-A Air Cooling Series ESS

One stop solution from BMS,PACK,RACK,system to EMS

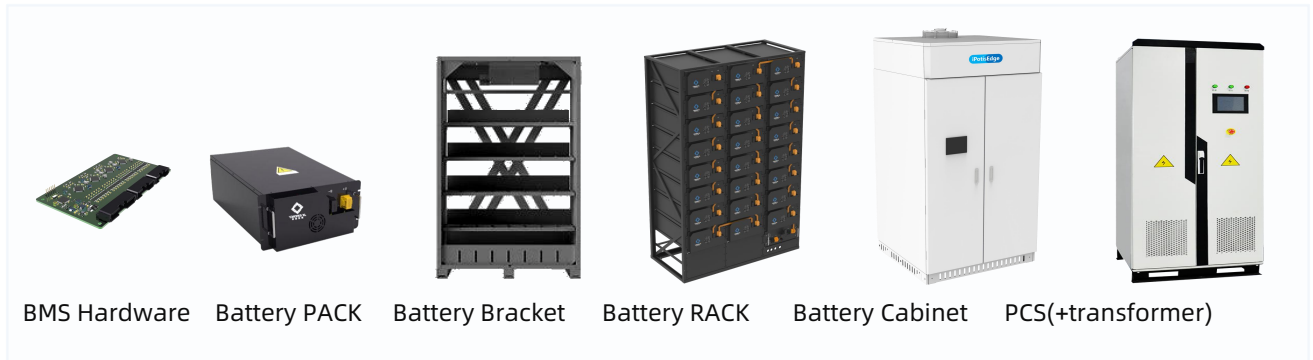
Battery Energy Storage: RACK/System

Model	PotisRACK -A32-307	PotisRACK -A40-384	PotisRACK -A48-461	PotisRACK -A56-538	PotisRACK -A65-614	PotisRACK -A73-691
Battery Type	LiFePO4					
PACK Qty	4	5	6	7	8	9
Nominal Voltage(V)	307.2	384	460.8	537.6	614.4	691.2
Nominal Capacity(Ah)	105					
Nominal Total Energy(kWh)	32.256	40.32	48.384	56.448	64.512	72.576
Standard Charging/ Discharge Current	52.5A@constant					
Max.Charging/Discharge Current	105A@constant					
Net Weight (kg)	339.3±2.0	401.3±2.0	490.9±2.0	552.9±2.0	642.5±2.0	704.5±2.0
Dimension(W*D*H)(mm)	972*636*803±2		972*636*1053±2		972*636*1303±2	
Cooling	Air Cooling					
Environment Temperature	Charge:0°C~55°C/Discharge:-20°C~60°C/Storage:-10°C~45°C					
Operation Humidity	5~95%, RH					

* Expandable by parallel RACK/system connection, e.g. 72.576*2=145.152kWh, 72.576*6=435.456 kWh

* Battery bracket,cabinet or container are optional

* PCS and transformer are optional



BMS Hardware

Battery PACK

Battery Bracket

Battery RACK

Battery Cabinet

PCS(+transformer)

About iPotisEdge

Since 2015, iPotisEdge has been dedicated to building a clean future with smart batteries and energy storage solutions.

Our main focus on the following three sections helps us gain recognition and brings us to the global market: Smart vehicle batteries, intelligent energy storage systems, and hydrogen fuel cell batteries.

As an innovation-driven company, iPotisEdge has nearly 200 patent applications and keeps evolving to create a better future for our customers and communities. iPotisEdge has 3GWh production capability and 10GWh new intelligent factory is under constructing.

The specifications are subject to change without prior notice.

Date: Oct,2022 Version V2.5_EN Copyright©2022 iPotisEdge Ltd. All rights reserved.

