

C&I Medium Power Inverter



High-efficiency

Max. efficiency 99.03%
Max. 20A DC input current
100%Pn under 45°C
High DC/AC ratio up to 1.5
High precision & intelligent string detection



Reliability

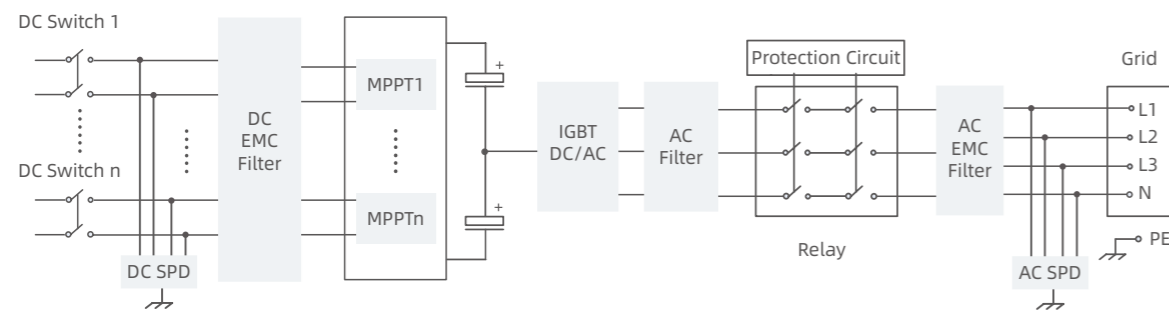
Smart air cooling
Built-in AC and DC SPD
Night PID function
Compatible with 182/210mm PV panels



User-friendliness

Mobile APP monitoring
With single-inverter zero export interface

Topological Graph



Technical Parameters

	Model	hopeSun 36KTL	hopeSun 40KTL	hopeSun 50KTL
DC Input	Max. DC Voltage	1100V		
	Starting Voltage	200V		
	MPPT Voltage Range	200V~1000V		
	MPPT Range Full Load	375V~850V		450V~850V
	Max Current / MPPT	45A / 45A	54A / 54A	60A / 60A
	Max. short-circuit current	67.5A / 67.5A	81A / 81A	90A / 90A
	Number of DC Inputs	3 / 3	5 / 4	
	MPPT Number	2		
AC Output	Rated Output Power	36kW	40kW	50kW
	Max. Active Power	39.6kW	44kW	55kW
	Rated Output Voltage	400V (Three-phase) (380V optional)		
	AC Voltage Range	300V~520V		
	Rated Output Current	52.0A	57.7A	72.2A
	Max. Output Current	57.2A	63.5A	79.4A
	Rated Grid Frequency	50Hz / 60Hz		
	Power Factor	0.8 (Leading)~0.8 (Lagging)		
	THD	<3%		
	Max. Efficiency	98.97%	98.95%	99.03%
System Parameters	European Efficiency	98.45%		98.51%
	AC/DC SPD	Yes		
	Anti-Islanding Protection	Yes		
	PV String Fault Detection	Yes		
	RCD	Yes		
	AC Overcurrent Protection	Yes		
	Cooling System	Smart Air Cooling		
	Operating Temperature	-25°C~+60°C		
	Protection Degree	IP65		
	Standby Power Consumption	<1W		
	Topology	Transformerless		
	Operating Altitude	4000m (Derating above 3000m)		
	Display	LED Indicator + APP		
	Communication	RS485 / WiFi / GPRS/ 4G		
	DC & AC Terminator	DC:MC4 AC:OT/ DT		
Certification	IEC61683 / IEC62109 / IEC61000 / IEC62116 / IEC61727 / CQC / CGC			
Optional	WiFi&GPRS&4G Module			
Mechanical Parameters	Dimensions (W*H*D)	520*520*265mm		
	Weight	≤44kg		