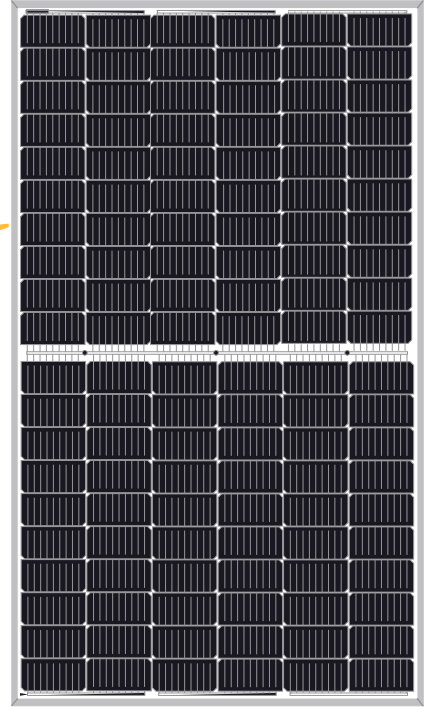


# DEHUI

# Max

## DH-M760W 355-375W

### Half-cut Mono PERC Module



Advanced processing techniques realize great module efficiency to a maximum of 20.5%, steady power output guaranteed



0~+5W Positive tolerance delivers higher output reliability



Excellent performance even under low-light settings, such as dawn, dusk and cloudy day

## PID

Advanced cell technology and qualified materials lead to high resistance to PID

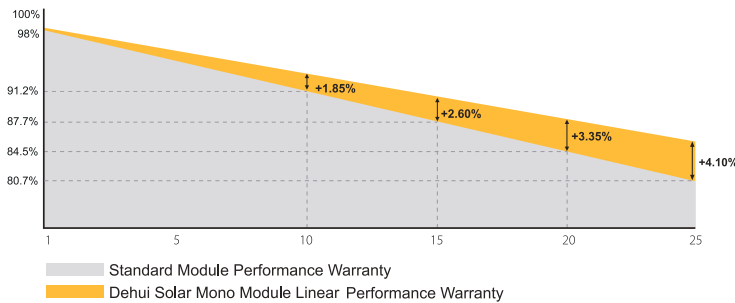


Excellent mechanical load resistance: wind loads (2400Pa) & snow loads (5400Pa)



Reliable quality leads to a better sustainability even in harsh environment like desert, farm and coastline

### LINEAR PERFORMANCE WARRANTY



Product Material & Workmanship  
**12** YEAR WARRANTY

Linear Performance  
**25** YEAR WARRANTY



# DH-M760W 355-375W

# Half-cut Mono PERC Module

ELECTRICAL PROPERTIES   STC*	DH-M760W 355W	DH-M760W 360W	DH-M760W 365W	DH-M760W 370W	DH-M760W 375W
Peak Power (Pmax   W)	355	360	365	370	375
MPP Voltage (Vmp   V)	33.8	34.0	34.2	34.4	34.6
MPP Current (Imp   A)	10.51	10.59	10.68	10.76	10.84
Open Circuit Voltage (Voc   V)	40.3	40.5	40.7	40.9	41.1
Short Circuit Current (Isc   A)	11.25	11.35	11.43	11.52	11.61
Module Efficiency (%)	19.5	19.8	20.0	20.3	20.5
Power Tolerance	0~+5W				
Operating Temperature	-40°C ~ 85°C				
Maximum System Voltage	DC 1500V				
Maximum Series Fuse Rating	20A				
Fire Safety	Class C				

\*STC (Standard Test Condition): Irradiance 1000W/m<sup>2</sup>, Cell Temperature 25°C, AM 1.5

ELECTRICAL PROPERTIES   NOCT*	DH-M760W 355W	DH-M760W 360W	DH-M760W 365W	DH-M760W 370W	DH-M760W 375W
Peak Power (Pmax   W)	263.0	266.7	270.4	274.1	277.8
MPP Voltage (Vmp   V)	31.2	31.4	31.6	31.8	32.0
MPP Current (Imp   A)	8.43	8.49	8.56	8.63	8.70
Open Circuit Voltage (Voc   V)	37.6	37.8	38.0	38.2	38.4
Short Circuit Current (Isc   A)	9.07	9.15	9.22	9.29	9.36

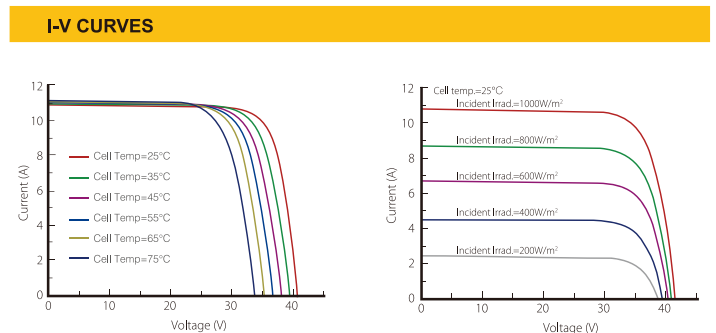
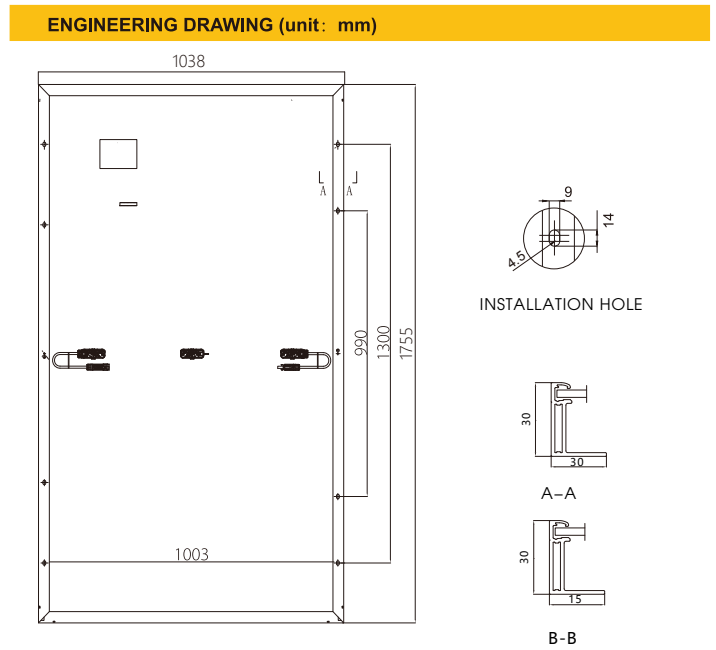
\*NOCT (Nominal Operating Cell Temperature): Irradiance 800W/m<sup>2</sup>, Ambient Temperature 20°C, AM 1.5, Wind Speed 1m/s

MECHANICAL PROPERTIES	
Cell Type	Mono Cell (166x83mm)
Number of Cells	6X20 (120pcs)
Dimension	1755x1038x30mm(69.1x40.8x1.18inches)
Weight	20.0kg(44.1lb)
Front Glass	3.2mm
Frame	Anodized aluminum alloy frame
Junction Box	IP68, 3 Diodes
Cable Type	4.0 mm <sup>2</sup>
UL Fire Type	1
Length of Cable	300mm, length can be customized

TEMPERATURE COEFFICIENT	
Temp. Coeff. Of Pmax (TK Pmax)	-0.370%/°C
Temp. Coeff. Of Voc (TK Voc)	-0.286%/°C
Temp. Coeff. Of Isc (TK Isc)	+0.057%/°C

PACKAGING	
Pallet	35 pcs
20'GP	210 pcs
40'HC	910 pcs

The specifications and key features contained in this datasheet maybe changed, modified or updated at any time under sole discretion of Dehui, without further notice to the user, due to the on-going research and development efforts and continuous product improvement processes employed at the factory. Therefore, Dehui reserves the right to make any adjustment to the information contained herein. It is the responsibility of the user of datasheet to obtain the latest, current revision - matching to the correct Dehui product - that the user has purchased or intends to purchase.



U.S.A Office: 14820 Central Avenue, Chino, CA 91710  
 China Office: Floor 28, Hang Lung Plaza, Wuxi, China  
 Germany Office: Sebastian-Kneipp-Str.41 60439 Frankfurt, Germany  
 Factory Add: Lot H2-1-5 & Lot H2-1-6 Dai Dong-Hoan Son Industrial Park, Bac Ninh Province, Vietnam

Email: sales@dehui-technology.com  
 Website: www.dehui-technology.com

