

# SPHM6-72

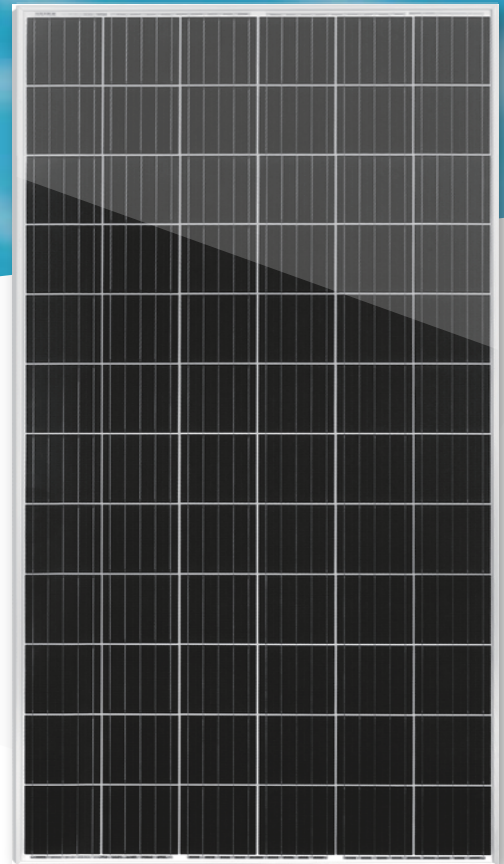
## 380-400 Watt

### MONO CRYSTALLINE MODULE



**SpolarPV**  
Easy Invest, More Returns

- SP380HM6-72
- SP385HM6-72
- SP390HM6-72
- SP395HM6-72
- SP400HM6-72



**20.17%**

Module efficiency



Product warranty

**400 W**

Highest power output



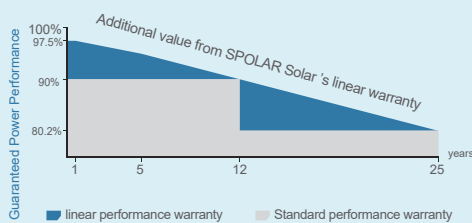
Linear power warranty

**0 ~ +5W**

Positive power tolerance

#### Key Features

#### Linear Performance Warranty



#### High Efficiency

Higher module conversion efficiency benefit from Passivated Emitter Rear Contact (PERC) technology.



#### PID Resistant

Excellent Anti-PID performance guarantee limited power degradation for mass production.



#### Low-light Performance

Advanced glass and cell surface texture design ensure excellent performance in low light environment.



#### Severe Weather Resilience

Certified to withstand: wind load (2400 Pascal) and snow load (5400 Pascal).



#### Durability against extreme environmental conditions

High salt mist and ammonia resistance.



ISO9001:2016 ISO14001:2016  
OHSAS18001:2011 certified factory.  
IEC61215 IEC61730 certified products.



[www.spolarpv.com](http://www.spolarpv.com)

## Electrical Characteristics at Standard Test Conditions (STC)

| Module Type                     | SP380HM6-72 | SP385HM6-72 | SP390HM6-72 | SP395HM6-72 | SP400HM6-72 |
|---------------------------------|-------------|-------------|-------------|-------------|-------------|
| Maximum Power -Pmax (W)         | 380         | 385         | 390         | 395         | 400         |
| Maximum Power Voltage - Vmp (V) | 39.59       | 39.9        | 40.21       | 40.48       | 40.66       |
| Maximum Power Current - Imp (A) | 9.60        | 9.65        | 9.70        | 9.76        | 9.84        |
| Open-circuit Voltage - Voc (V)  | 48.75       | 49.04       | 49.35       | 49.64       | 49.89       |
| Short-circuit Current - Isc (A) | 10.12       | 10.17       | 10.22       | 10.27       | 10.31       |
| Module Efficiency STC (%)       | 19.16%      | 19.42%      | 19.67%      | 19.92%      | 20.17%      |

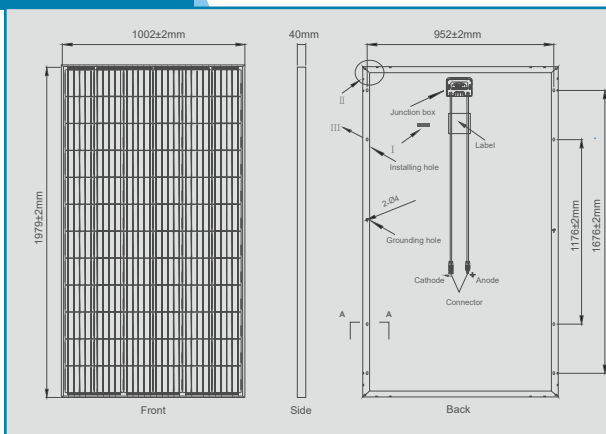
## Electrical Characteristics at Normal Operating Cell Temperature (NOCT)

| Module Type                      | SP380HM6-72 | SP385HM6-72 | SP390HM6-72                        | SP395HM6-72 | SP400HM6-72 |
|----------------------------------|-------------|-------------|------------------------------------|-------------|-------------|
| Maximum Power -Pmax (W)          | 281         | 285         | 289                                | 292         | 298         |
| Maximum Power Voltage - Vmp (V)  | 37.34       | 37.64       | 37.92                              | 38.21       | 38.64       |
| Maximum Power Current - Imp (A)  | 7.53        | 7.57        | 7.61                               | 7.65        | 7.71        |
| Open-circuit Voltage - Voc (V)   | 46.15       | 46.47       | 46.78                              | 47.09       | 47.26       |
| Short-circuit Current - Isc (A)  | 7.99        | 8.03        | 8.07                               | 8.11        | 8.21        |
| Power tolerance                  | 0~+5W       |             | Operating Temperature(°C)          |             | -40°C~+85°C |
| Temperature coefficients of Pmax | -0.38%/°C   |             | Maximum system voltage             |             | 1000/1500V  |
| Temperature coefficients of Voc  | -0.33%/°C   |             | Maximum series fuse rating         |             | 20A         |
| Temperature coefficients of Isc  | 0.05%/°C    |             | Nominal operating cell temperature |             | 45±2°C      |

## Mechanical Characteristics

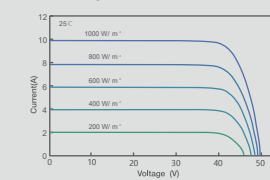
|                         |                                                                                    |
|-------------------------|------------------------------------------------------------------------------------|
| Cell Type               | Mono-crystalline PERC 158.75×158.75mm                                              |
| No.of cells             | 72 (6×12)                                                                          |
| Dimensions              | 1979×1002×40mm                                                                     |
| Weight                  | 22.0 kg                                                                            |
| Front Glass             | 3.2mm, High Transmission, Low Iron, Tempered Glass                                 |
| Frame                   | Anodized Aluminium Alloy                                                           |
| Junction Box            | IP68 Rated                                                                         |
| Output Cables           | 1×4.0mm <sup>2</sup> , Length:900mm or Customized Length                           |
| Packaging Configuration | 26pcs/pallet , 52-56pcs/stack, 572-616pcs/40'HQContainer ( Two pallets=One stack ) |

## Dimensions



## IV-Curves

Current-Voltage Curve under different irradiance



Current-Voltage Curve under different working temperatures

