

INE-60ML SERIES 6 INCH 60 CELLS

315-335w

PRODUCT CERTIFICATES



KEY FEATURES

0~3% Output positive tolerance/Guaranteed 0~3% positive tolerance ensures the power output reliability

PERC Innovative Perc Cell Technology/Outstanding power output performance by perc cell

PID Anti PID technology/Excellent Anti-PID performance

NEW IEC Tested and certified according IEC standard /IEC61215/IEC61730 standard quality

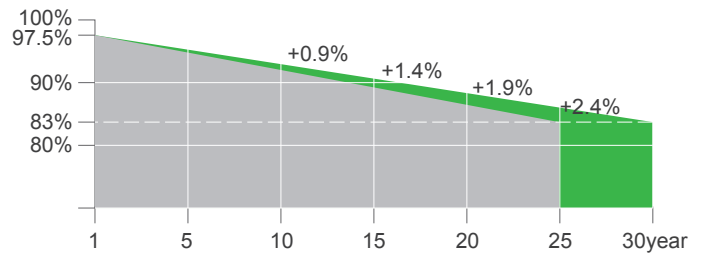
✓ Highly reliable due to stringent quality control/Three times strict EL testing beyond certification requirements

° Lower temperature coefficients/Outstanding power output capability at low irradiance

SYSTEM CERTIFICATES

IEC 61215 / IEC 61730
 ISO 9001 : Quality Management System
 ISO 14001 : Environment Mangement System
 OHSAS 18001 : Occupational Health and Safety Management System

WARRANTY



12 years 12-year Warranty for Materials and Processing

30 years 30-year Warranty for Extra Linear Power Output

ELECTRICAL PARAMETERS AT STC

Module Type	INE-315-60ML	INE-320-60ML	INE-325-60ML	INE-330-60ML	INE-335-60ML
Rated Maximum Power(Pmax) [W]	315	320	325	330	335
Open Circuit Voltage(Voc) [V]	40.7	40.9	41.1	41.3	41.5
Maximum Power Voltage(Vmp) [V]	33.2	33.4	33.6	33.8	34.0
Short Circuit Current(Isc) [A]	10.04	10.15	10.2	10.31	10.36
Maximum Power Current(Imp) [A]	9.49	9.59	9.68	9.77	9.87
Module Efficiency [%]	18.88	19.18	19.48	19.78	20.08

STC: Irradiance 1000 W/m² module temperature 25°C AM=1.5

ELECTRICAL PARAMETERS AT NOCT

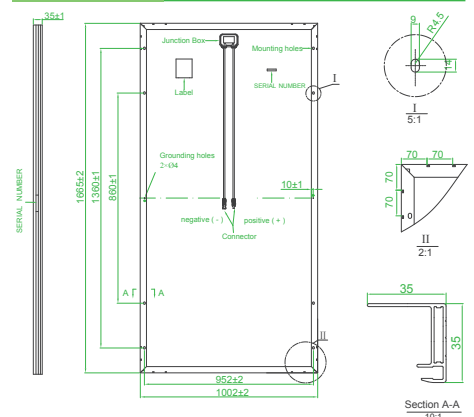
Module Type	INE-315-60ML	INE-320-60ML	INE-325-60ML	INE-330-60ML	INE-335-60ML
Rated Maximum Power(Pmax) [W]	235	239	242	246	250
Open Circuit Voltage(Voc) [V]	37.6	37.8	38.0	38.2	38.4
Maximum Power Voltage(Vmp) [V]	31.2	31.4	31.6	31.8	32.0
Short Circuit Current(Isc) [A]	8.33	8.44	8.54	8.65	8.74
Maximum Power Current(Imp) [A]	7.56	7.62	7.66	7.74	7.82

NOCT: Irradiance 800 W/m² ambient temperature 20°C wind speed: 1m/s

MECHANICAL SPECIFICATION

Cell Type	Monocrystalline
Cell Dimensions	158.75*158.75mm(6inch)
Cell Arrangement	60(6*10)
Weight	19kg
Module Dimensions	1665*1002*35mm
Cable	4.0 mm ² , wire length: 900 mm or Customized Length
Front Glass	3.2 mm AR coating tempered glass, low iron
Frame	Anodized aluminium alloy
Junction Box	IP67/IP68
Connector	MC4 Compatible
Mechanical Load	Front side 5400Pa/ Rear side 2400Pa

Technical drawing(INE-XXX-60M)



* All Dimensions in mm.

* The above drawing is a graphical representation of the product.

For engineering quality drawings please contact IDEAL NEW ENERGY.

OPERATING CONDITIONS

Power Tolerance (W)	(0, +4.99)
Maximum System Voltage (V)	1000VDC / 1500VDC
Pmax Temperature Coefficient	-0.36 %/°C
Voc Temperature Coefficient	-0.28%/°C
Isc Temperature Coefficient	+0.05 %/°C
Nominal Operating Cell Temperature	45±2 °C
Operating Temperature	-40°C-+85°C
Maximum Series Fuse	20A

PACKING CONFIGURATION

Quantity/Pallet	30pcs/pallet
Pallets/Container	12pallet/20GP; 28pallet/40HQ
Quantity/Container	360pcs/20GP; 910pcs/40HQ

I-V Curve

