

# 560-590 Watt

## LS-8M156

### Half-Cell MBB MONO PERC MODULE

## KEY FEATURES



**Multi Busbar Solar Cell**  
Stronger current collection ability, Special circuit design with much lower hot spot temperature;



**Module efficiency up to 21.06%**  
Half cell structure brings low resistance characteristic, higher lifetime generating capacity, simultaneously lower annual power attenuation;



**PID Resistant**  
Excellent PID resistance at 96 hours (85°C/85%) test, and also can be improved to meet higher standards for the particularly harsh environment;



**Low-Light Performance**  
Excellent power generation performance under Low-Light condition due to multi busbar; better shading response benefit from half cell module;



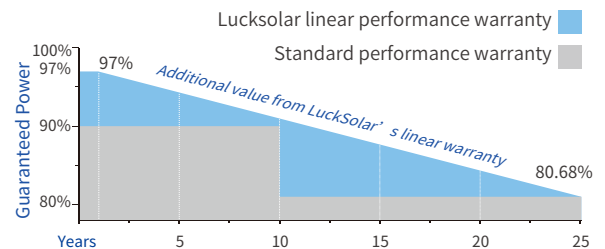
**Anti-Crack**  
Excellent anti-microcracking performance with more balanced interior stress;



**Strength and Durability**  
Certified for 5400Pa snow and 2400Pa loads test;

## Linear Performance Warranty

12 Years Product Warranty · 25 Years Linear Power Warranty



## Product And Quality Certifications

ISO 9001:2008

ISO 14001:2004

OHSAS 18001:2007



HQ: No.99, Longxi Avenue, Zhulin Town, Jintan District, Changzhou. Division: No.16, Zhouzhuang Technology Park, Jiepai Town, Binhai County, Yancheng.

Luck Solar is the world's leading green energy provider, committed to making clean energy illuminate every corner of the world. We strive to provide high-efficiency, high-quality and low-cost clean energy solutions. Luck Solar insists on continuous innovation around customer needs. We invest heavily in technology research, and promotes green energy in the world.

+86 519 68905758

service@lucksolar.com

www.lucksolar.com

## ELECTRICAL SPECIFICATIONS

| Module Type                   | LS-8M156-560 | LS-8M156-565 | LS-8M156-570 | LS-8M156-575 | LS-8M156-580 | LS-8M156-585 | LS-8M156-590 |
|-------------------------------|--------------|--------------|--------------|--------------|--------------|--------------|--------------|
| Testing Condition             | STC          | STC          | STC          | STC          | STC          | STC          | STC          |
| Rated output (Pmp/Wp)         | 560          | 565          | 570          | 575          | 580          | 585          | 590          |
| Rated voltage (Vmp/V)         | 45.20        | 45.40        | 45.60        | 45.80        | 46.00        | 46.20        | 46.40        |
| Rated current (Imp/A)         | 12.41        | 12.46        | 12.52        | 12.57        | 12.63        | 12.68        | 12.73        |
| Open circuit voltage (Voc/V)  | 54.10        | 54.30        | 54.50        | 54.70        | 54.90        | 55.10        | 55.30        |
| Short circuit current (Isc/A) | 13.12        | 13.19        | 13.26        | 13.33        | 13.40        | 13.47        | 13.54        |
| Module efficiency (%)         | 19.99%       | 20.17%       | 20.35%       | 20.53%       | 20.71%       | 20.89%       | 21.06%       |
| Power Tolerance (W)           | 0~+5         | 0~+5         | 0~+5         | 0~+5         | 0~+5         | 0~+5         | 0~+5         |

Standard Test Condition(STC): Irradiance 1000W/m<sup>2</sup>, Cell Temperature 25°C, AM1.5

Nominal module operating(NMOT): Irradiance 800W/m<sup>2</sup>, Ambient Temperature 20°C, AM1.5, Wind Speed 1m/s

## TEMPERATURE CHARACTERISTICS

|                                |            |
|--------------------------------|------------|
| NMOT                           | 45°C ±2°C  |
| Temperature Coefficient (Pmax) | -0.360%/°C |
| Temperature Coefficient (Voc)  | -0.275%/°C |
| Temperature Coefficient (Isc)  | 0.045%/°C  |

## MAXIMUM RATINGS

|                              |               |
|------------------------------|---------------|
| Maximum system voltage (IEC) | 1500V DC      |
| Snow/Wind                    | 5400Pa/2400Pa |
| Operating Temperature        | -40°C ~ +85°C |
| Maximum series fuse rating   | 20A           |

## MECHANICAL SPECIFICATIONS

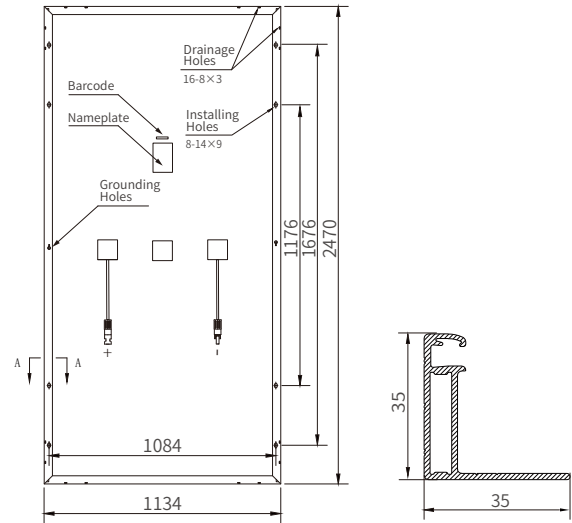
|                |   |
|----------------|---|
| Cell Type      | MBB MONO 182×91mm   |
| No. of Cells   | 156 (12×13)   |
| Dimensions     | 2470×1134×35mm  |
| Weight         | 30.0 kg   |
| Glass          | 3.2mm, Low Iron Tempered Glass                              |
| Frame          | Anodized Aluminium Alloy (silver or black)                  |
| Junction Box   | IP67/IP68, 3 diodes   |
| Output Cables  | 4mm <sup>2</sup> , (+)300mm, (-) 300mm or Customized Length |
| Connector type | MC4 compatible  |

## PACKING CONFIGURATIONS

|                      |         |
|----------------------|---------|
| Per Pallet           | 30 Pcs  |
| Per 20' GP Container | 240 Pcs |
| Per 40' HQ Container | 600 Pcs |

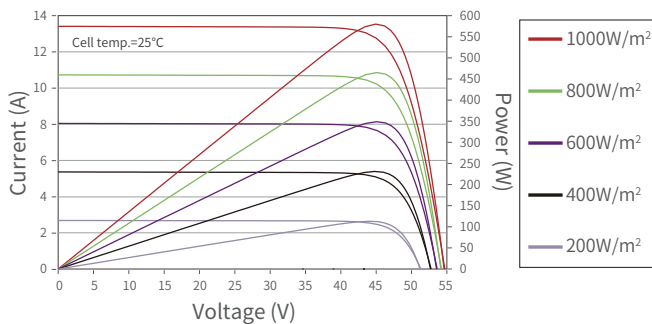
## ENGINEERING DRAWINGS

### Engineering Drawings



## CURVE & TEMPERATURE DEPENDENCE

### I-V CURVE (580W)



### Current-Voltage curves (580W)

