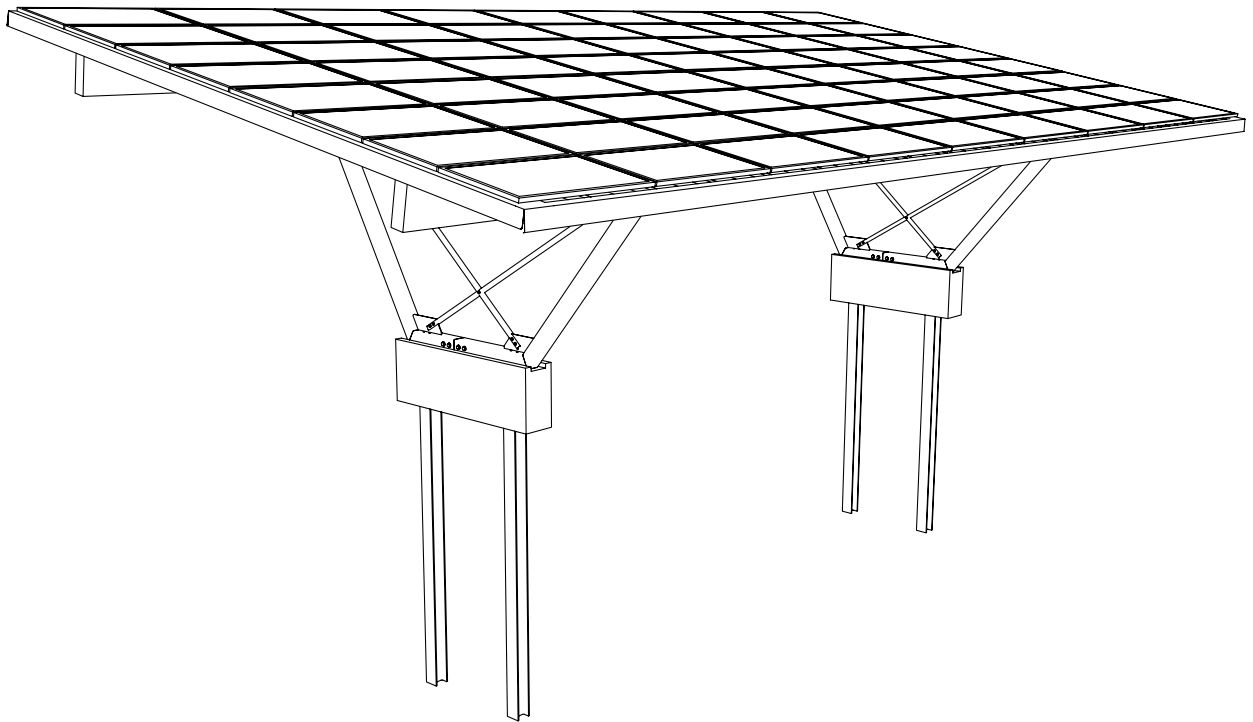


PMT



PRODUCT DATA SHEET

PMT CARPORT SINGLE

PMT CARPORT SINGLE

A cost-effective all-rounder created by a specialist in photovoltaic mounting solutions. Its innovative CTRO construction provides unconditional protection from the elements for all vehicle types, coupled with efficient power generation.

Thanks to the tried and tested foundation pile technique, the PMT Carport Single can be used on existing parking areas in a very short amount of time, without any complex surface interfaces or expensive foundation works.



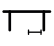







The sleek V-shaped pipe structure provides a comfortable, spacious entrance profile and a high level of safety through the integrated collision protection.

SIMPLY THE BEST

- › Can be installed in existing parking areas without the need for any structural work thanks to our pile driving process
- › High parking comfort thanks to slim V-tube construction
- › Quick and easy assembly for maximum construction efficiency
- › Long-lasting and corrosion-proof
- › Smart cable integration
- › Lightning protection system can be integrated
- › Fully trained PMT staff will take care of the entire installation process
- › Structural design certificate in accordance with the Eurocodes and national appendices
- › An extensive set of accessories supplied, including roof drainage, snow guard, charging station, etc.
- › Can be used with or without photovoltaics
- › The design can be tailored to your corporate identity

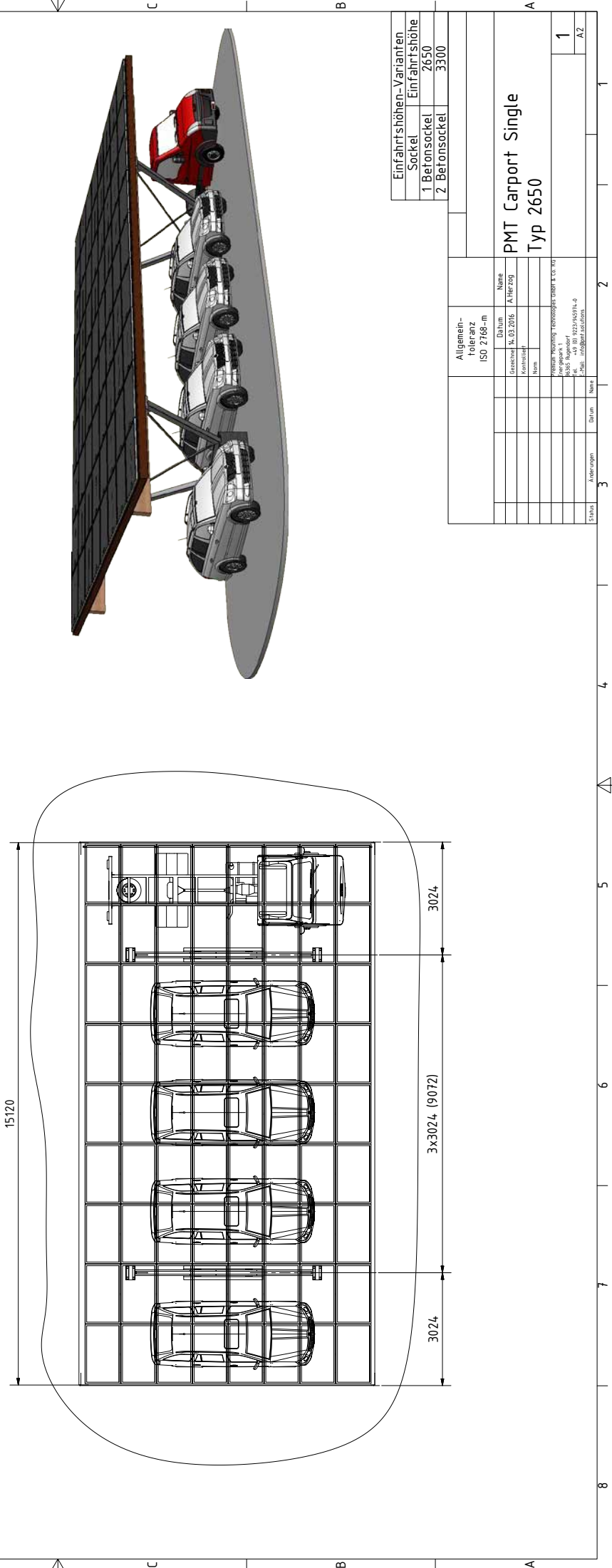
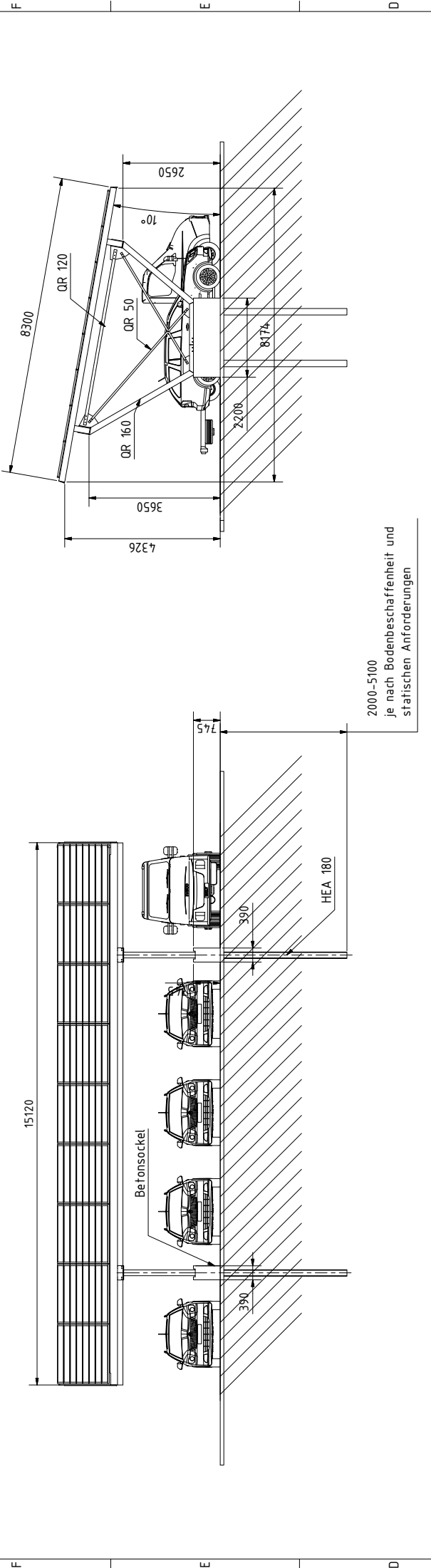


TECHNICAL SPECIFICATIONS

	Parking spaces	mind. 75 cars
	Entrance height	2.65 m / 3.35 m / 3.75 m / 4.80 m
	Parking space width	customised
	Roof pitch	10°
	Roof measurements	roof depth: 8.50 m to max. 8.90 m, length variable
	Roof area	customised
	Number of modules	customised
	Module positioning	customised
	Collision protection	10 kN for car weighing up to 3 tons
	Cable routing	integrated

All specifications relating to the technical data are indicative values. Individual planning is always necessary.

F 1 2 3 4 5 6 7 8



Einfahrtshöhen-Varianten	
Sockel	Einfahrtshöhe
1 Betonsockel	2650
2 Betonsockel	3300

Allgemein-toleranz ISO 2768-m	
Gezeichnet	Datum
14.03.2016	A
Kontrolliert	A
Notiz	
Projekt: PM Carport Single Typ 2650 Zeichnung: PM Carport Single Typ 2650 Blatt: 1	

PMT Carport Single Typ 2650			
Status	Änderungen	Datum	Name
1			
A2			



The assembly instructions must be observed during assembly. This manual can be found under www.pmt.solutions/en/service-center/downloads.html or directly scan the QR code with your smart phone.



Premium Mounting Technologies GmbH & Co. KG
Industriestraße 25
D-95346 Stadtsteinach
T +49 9225 95500
F +49 9225 9550999
info@pmt.solutions
www.pmt.solutions