

LiFePO₄ Battery Specification



| | |
|----------------|----------------------|
| Model | UE-48Li100-3U |
| Issued Date | 2020-12-10 |
| Issued Version | V1 |

1. Scope

This specification is applicable to the LFP rechargeable battery 15S1P battery. This specification outlines key requirements of the battery supplied by Upower, Ltd.

2. Model

48V 100AH -15S1P

3. Specification Description

3.1 Cell Specification

| No. | Items | Specification Description |
|--------|-----------------------------|---|
| 3.1.1 | Model | LFP56160118 |
| 3.1.2 | Material System | Lithium iron phosphate |
| 3.1.3 | Nominal Capacity | 100Ah (at 1.0C rate discharge after standard charge) |
| 3.1.4 | Nominal Voltage | 3.2V |
| 3.1.5 | Cut-off Voltage | 2.5V |
| 3.1.6 | Charge Voltage | 3.65V |
| 3.1.7 | Standard Charging Method | 1.0C constant current, 3.65V constant voltage charge to 3.65V, continue charging till current decline to $\leq 0.05C$ |
| 3.1.8 | Standard Discharging Method | 1.0C constant current discharge to 2.5V |
| 3.1.9 | Internal Impedance | $\leq 0.7m\Omega$ (50% SOC, Measure the AC impedance at 1kHz) |
| 3.1.10 | Weight | $1.93 \pm 0.03kg$ |
| 3.1.11 | Cycle Life | ≥ 6000 cycles, more than 80% at 0.5C charge and 0.5C discharge at 25°C (Charge method: 0.5C CC charge to 3.65V, then CV 3.65V charge till charge current decline to $\leq 0.05C$; Discharge: Constant current 0.5C 2.5V Cut-off) |

3.2 Battery Pack Specification

| No. | Items | Specification Description |
|-------|------------------|---|
| 3.2.1 | Appearance | The surface is clear and is free of scratch, mechanical cuts and match well with the host |
| 3.2.2 | Combination Mode | 15S1P |
| 3.2.3 | Charge Voltage | $54.6V \pm 0.2V$ |
| 3.2.4 | Nominal Voltage | 48V |
| 3.2.5 | Cut-off Voltage | 40V |
| 3.2.6 | Nominal Capacity | 100Ah (at 0.5C rate discharge after standard charge) |

| No. | Items | Specification Description | | | | | | | | | | | | | | | | | | | | | | | | | | | | | | | |
|--------|--|--|---|--|-------|------------------|---|--------------|------------------------------------|---|-----------|---------------------|---|-----------|--|---|---------|---|---|------|--|---|--------|--|---|-------|--|---|------|--|---|-----|--|
| 3.2.7 | Standard Charge Current & Voltage | 1: 0.5 CC charge to 54.6V; 2: CV (constant voltage 54.6V) charge till charge current decline to 0.05C. | Temperature: 0°C ~ 45°C | | | | | | | | | | | | | | | | | | | | | | | | | | | | | | |
| 3.2.8 | Charging Time | 3 hours (Ref.) | | | | | | | | | | | | | | | | | | | | | | | | | | | | | | | |
| 3.2.9 | Max. Charge Current | 1C | | | | | | | | | | | | | | | | | | | | | | | | | | | | | | | |
| 3.2.10 | Max. Discharge Current | 1C | | | | | | | | | | | | | | | | | | | | | | | | | | | | | | | |
| 3.2.11 | Operating Temperature | Charging: 0°C ~ 45°C - Discharging: -20°C ~ 55°C | | | | | | | | | | | | | | | | | | | | | | | | | | | | | | | |
| 3.2.12 | Storage Temperature and Humidity Range | 1 month: -20 ~ 45°C 3 months: -10 ~ 45°C 6 months: 0 ~ 25°C Humidity: 45% ~ 90% RH | The battery should cycle once in three month. Recommended storage temperature is 25 ± 5°C of SOC 50% ~ 60%. | | | | | | | | | | | | | | | | | | | | | | | | | | | | | | |
| 3.2.13 | Pack Initial Internal Impedance | ≤ 30mΩ (50% SOC, Measure the AC impedance at 1kHz) | | | | | | | | | | | | | | | | | | | | | | | | | | | | | | | |
| 3.2.14 | Pack Weight | Approx. 45kg | | | | | | | | | | | | | | | | | | | | | | | | | | | | | | | |
| 3.2.15 | Cycle Life | ≥ 4500 cycles, more than 80% at 0.5C charge and 0.5C discharge at 25°C (Charge method :0.5C CC charge to 54.6V, then CV 54.6V charge till charge current decline to ≤ 0.05C; Discharge: Constant current 0.5C 40.0V Cut-off) | | | | | | | | | | | | | | | | | | | | | | | | | | | | | | | |
| 3.2.16 | Delivery Voltage | 48 ~ 52V (30% ~ 60%) | | | | | | | | | | | | | | | | | | | | | | | | | | | | | | | |
| 3.2.17 | Battery Dimension | 400 (L)* 483 (W)* 132 (H) mm | | | | | | | | | | | | | | | | | | | | | | | | | | | | | | | |
| 3.2.18 | Function | LED display, Red/Black terminal (2 Pin), Communication (RS485/CAN) | | | | | | | | | | | | | | | | | | | | | | | | | | | | | | | |
| 3.2.19 | Matching Inverter Brand | <p>Battery can communicate with the following brands of inverters:</p> <table border="1"> <thead> <tr> <th></th> <th>Brand</th> <th>Protocol Version</th> </tr> </thead> <tbody> <tr> <td>1</td> <td>Master Power</td> <td>Inverter and BMS 485 communication</td> </tr> <tr> <td>2</td> <td>Voltronic</td> <td>Protocol-2020/07/09</td> </tr> <tr> <td>3</td> <td>Schneider</td> <td>Version2 SE BMS Communication Protocol</td> </tr> <tr> <td>4</td> <td>Growatt</td> <td>Growatt BMS RS485 Protocol 1xSxxP ESS Rev2.01 Growatt BMS CAN-Bus-protocol-low-voltage-V1.04</td> </tr> <tr> <td>5</td> <td>SRNE</td> <td>Technical specification Studer BMS Protocol V1.02_EN</td> </tr> <tr> <td>6</td> <td>GOODWE</td> <td></td> </tr> <tr> <td>7</td> <td>KSTAR</td> <td></td> </tr> <tr> <td>8</td> <td>EAST</td> <td></td> </tr> <tr> <td>9</td> <td>SMA</td> <td></td> </tr> </tbody> </table> <p><i>Note: if the battery is abnormal with the inverter, please confirm whether the protocol version is consistent</i></p> | | | Brand | Protocol Version | 1 | Master Power | Inverter and BMS 485 communication | 2 | Voltronic | Protocol-2020/07/09 | 3 | Schneider | Version2 SE BMS Communication Protocol | 4 | Growatt | Growatt BMS RS485 Protocol 1xSxxP ESS Rev2.01 Growatt BMS CAN-Bus-protocol-low-voltage-V1.04 | 5 | SRNE | Technical specification Studer BMS Protocol V1.02_EN | 6 | GOODWE | | 7 | KSTAR | | 8 | EAST | | 9 | SMA | |
| | Brand | Protocol Version | | | | | | | | | | | | | | | | | | | | | | | | | | | | | | | |
| 1 | Master Power | Inverter and BMS 485 communication | | | | | | | | | | | | | | | | | | | | | | | | | | | | | | | |
| 2 | Voltronic | Protocol-2020/07/09 | | | | | | | | | | | | | | | | | | | | | | | | | | | | | | | |
| 3 | Schneider | Version2 SE BMS Communication Protocol | | | | | | | | | | | | | | | | | | | | | | | | | | | | | | | |
| 4 | Growatt | Growatt BMS RS485 Protocol 1xSxxP ESS Rev2.01 Growatt BMS CAN-Bus-protocol-low-voltage-V1.04 | | | | | | | | | | | | | | | | | | | | | | | | | | | | | | | |
| 5 | SRNE | Technical specification Studer BMS Protocol V1.02_EN | | | | | | | | | | | | | | | | | | | | | | | | | | | | | | | |
| 6 | GOODWE | | | | | | | | | | | | | | | | | | | | | | | | | | | | | | | | |
| 7 | KSTAR | | | | | | | | | | | | | | | | | | | | | | | | | | | | | | | | |
| 8 | EAST | | | | | | | | | | | | | | | | | | | | | | | | | | | | | | | | |
| 9 | SMA | | | | | | | | | | | | | | | | | | | | | | | | | | | | | | | | |

4. Caution

In order to prevent the battery possibly occurs leaks, over heat, swollen, please note the preventive measure.

Handling Precautions and Guideline

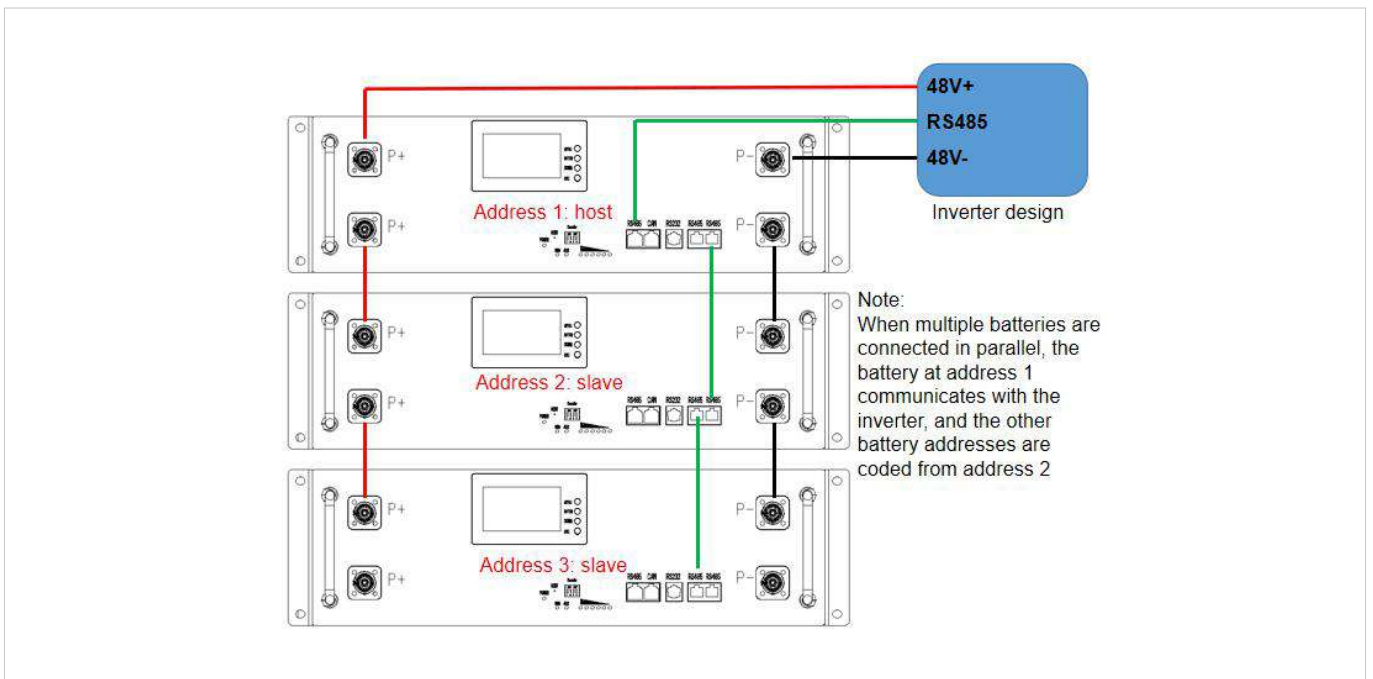
- 4.1 Strictly prohibits inverting the cathode use battery.
- 4.2 Strictly prohibits directly connect battery to power source plug.
- 4.3 Please do not throw the battery to water or put into heater.
- 4.4 Strictly prohibits plunging the battery in sea water or water, when battery do not use, please store battery in the cool-dry environment.
- 4.5 The prohibition in strong static electricity and strong magnetic field place use, otherwise is easy to destroy the battery PCBA.
- 4.6 The prohibition puts the battery nearby the hot high temperature source, like the fire, the heater and so on use and leaves alone.
- 4.7 The prohibition directly connects the battery cathode with the metal to short-circuit.
- 4.8 The prohibition rap or throws, steps on the battery and so on.
- 4.9 Forbids directly to weld the battery and pierces the battery with the nail or other sharp weapons.
- 4.10 If the battery sends out the unusual smell, gives off heat, the distortion or appears any exceptionally, immediately moves the battery from the installment or the battery charger to and stops using.
- 4.11 If the battery occurs leaks, the electrolyte enters eye, please do not have to rub scratches, the application clear water flushing eye, and delivers the medical treatment otherwise to be able immediately to injure the eye.
- 4.12 When battery long-term storage, or assembly in the host, suggest customer should take every 3 months carry on one time charge and discharge and recharge it to half-charge state.
- 4.13 Abandon the battery to wrap up the electrode using the insulating paper, prevented the battery short-circuits.
- 4.14 Abandon battery processing to be supposed to follow the local government the laws and regulations.
- 4.15 Do not decompose the battery.

5. Outline Drawing

Battery dimension: 400 (L) *483 (W) *132 (H) ±1mm



6. Battery Parallel Wiring Diagram



7. Package

Individually packed in wooden boxes + padding (TBD)

8. PCM Specification

8.1 Scope

The specification is applied to the protection of 15S LFP cell from overcharge, over discharge, over current and short-circuit.

8.2 Electricity parameter (Environment temperature 25°C)

| Protection Parameter | | |
|----------------------------------|---|-----------------------------|
| Items | Content | Standard |
| Over Charge Protection | Over Charge Protection Voltage (V) | 3.70V ± 50mV |
| | Over Charge Protection Delay Time (ms) | 2000ms ± 500ms |
| | Over Charge Release Voltage (V) | 3.40V ± 50mV |
| Over Discharge Protection | Over Discharge Protection Voltage (V) | 2.65V ± 50mV |
| | Over Discharge Protection Delay Time (ms) | 2000ms ± 500ms |
| | Over Discharge Release Voltage (V) | 3.00V ± 50mV |
| Discharge Overcurrent Protection | Discharge Overcurrent 1 (A) | 120A ± 5A |
| | Protection Delay Time 1 | 1000ms ± 500ms |
| | Discharge Overcurrent 1 (A) | 130A ± 5A |
| | Protection Delay Time 2 | 200ms ± 50ms |
| | Conditions for Relieving Protection | Delayed release for 1min |
| Charge Overcurrent Protection | Charge Overcurrent Protection | 110A ± 5A |
| | Charging Overcurrent Delay | 1000ms ± 500ms |
| | Conditions for Relieving Protection | Delayed release for 1min |
| Short Circuit Protection | Conditions of Protection | External load short circuit |
| | Detection Delay Time | ≤ 600us |
| | Conditions for Relieving Protection | Disconnect load |
| PCM Internal Resistance | Main Circuit Conduction Internal Resistance | <10mΩ |

| Items | Content | Standard |
|-------------------------------|---|----------------------------|
| Temperature Protection | Charging High Temperature Protection | 50°C ± 5°C |
| | Charging High Temperature Protection Recovery | 45°C ± 5°C |
| | Charging Low Temperature Protection | 0°C ± 2°C |
| | Charging Low Temperature Protection Recovery | 5°C ± 2°C |
| | Discharge High Temperature Protection | 65°C ± 2°C |
| | High Temperature Protection Recovery of Discharge | 60°C ± 2°C |
| | Discharge Low Temperature Protection | -20°C ± 2°C |
| | Discharge Low Temperature Protection Recovery | -15°C ± 2°C |
| | MOS Tube High Temperature Protection | 100°C ± 5°C |
| | MOS Tube High Temperature Protection Recovery | 90°C ± 5°C |
| Total Voltage Protection | Total Voltage Over-High Protection | 54.6V ± 0.3V |
| | Total Voltage Overhigh Protection Recovery | 51.8V ± 0.3V |
| | Total Voltage Too Low Protection | 40V ± 0.3V |
| | Total Voltage Too Low Protection Recovery | 44.0V ± 0.3V |
| SOC Protection | SOC Too Low Protection | < 15% SOC Stop discharging |
| | SOC Too Low Protection Delay | 2000ms ± 500ms |
| Voltage Difference Protection | Voltage Difference Protection Voltage | 450mV ± 50mV |
| | Voltage Difference Protection Recovery | 350mV ± 50mV |