

PRODUCT SPECIFICATION

Type Of Module	SY-100WP	SY-105WP	SY-110WP
Maximum Power (W)	100	105	110
Tolerance (%)	± 3%	± 3%	± 3%
Open Circuit Voltage (V)	22	22.2	22.4
Short Circuit Current (A)	6.06	6.26	6.45
Maximum Power Voltage (V)	18	18.2	18.4
Maximum Power Current (A)	5.56	5.77	5.98
Module Efficiency (%)	14.8	15.6	16.3
Solar Cell Efficiency (%)	17.4	18.2	19
Series Fuse Rating (A)	15	15	15
Terminal Box	IP65	IP65	IP65
Maximum system voltage (V)	DC1000	DC1000	DC1000
Operating Temperature(°C)	-40°C -- 85°C	-40°C -- 85°C	-40°C -- 85°C



PRODUCT FEATURE

- Bypass diode minimizes the power drop by shade.
- The conversion efficiency of solar cell is above 17%.
- White tempered glass ,EVA resin,weather proof film and anodized aluminum frame to provide efficient protection from the severest environmental conditions.
- Waterproof.Perfect for grid applications.
- Product guarantee 10 years.

Quality Assurance

- Electrical Insulation test
- Outdoor exposure test
- Hot-spot endurance test
- UV-exposure
- Thermal cycling test
- Humidity freeze test
- Damp heat Test
- Robustness of terminations test
- Wet leakage current test
- Mechanical load test
- Hail impact test
- Bypass diode thermal test

Electric Performance Typical Performance Characteristics

Short Circuit Current Temperature Coefficient	%/°C	0.06
Open Circuit Voltage Temperature Coefficient	%/°C	-0.34
Maximum Power Temperature Coefficient	%/°C	-0.47
Performance Warranty : 90%output , 12 years		
80%output, 25 years		

Physical Specifications

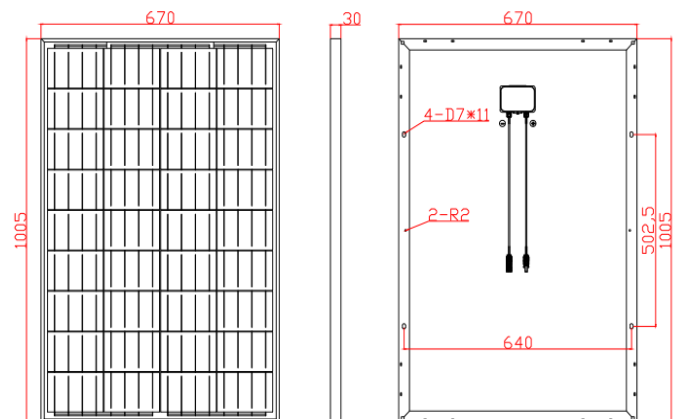
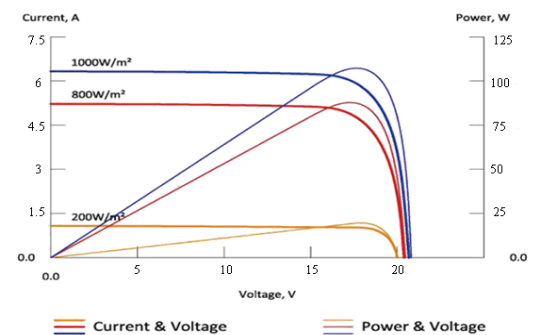
Dimension: 1005*670*30MM

Weight: 7.3 KG/PCS

Packing : 2 pcs in one carton

Electrical Characteristics

Current-Voltage & Power-Voltage characteristics various irradiance levels



SHENZHEN SUOYANG NEW ENERGY CO.,LTD.

ADD.: No.5 Building,Juhui Mold Industrial area,Tianliao Road,Guangming New Districte ,Shenzhen ,China

Tel: +86- 755 3369 9192 -8004 Fax: +86-755 3369 9194

Website: www.szsuoyang.com