

Half Cell

# 280W-300W

## 60 LAYOUT

MULTICRYSTALLINE MODULE

## 280W-300W

POWER OUTPUT RANGE

## 17.6%

MAXIMUM EFFICIENCY

## 0~+5W

POSITIVE POWER TOLERANCE

Apply to



home roof



ground Power Station



Industrial and Commercial Roofs



E:info@inesolar.com  
W:www.inesolar.com



### Higher Output of Power

Effectively reduce the unit cost of PV solar system by watt



### Optimize the temperature coefficient

Improve the performance under the condition of shadow and low temperature coefficient



### Reduce the shadow loss on the power output

Effectively reduce the risk of heat spot on high efficiency PV module

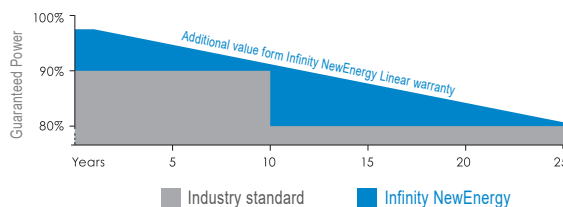


### Stronger the physical property

Optimize the property of power generating and reliability of the system

### LINEAR PERFORMANCE WARRANTY

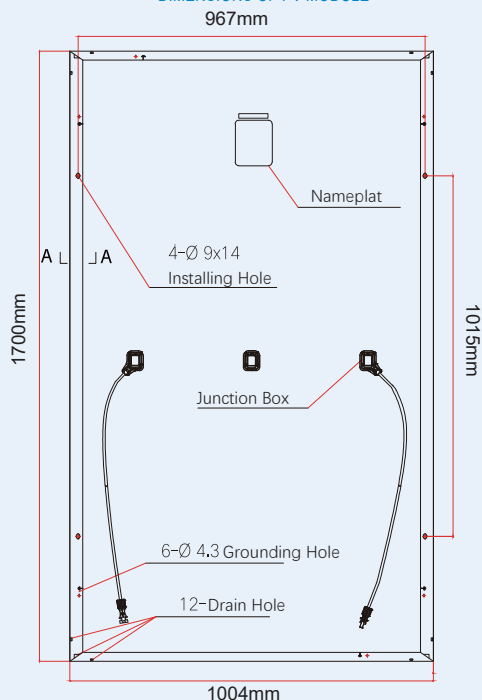
10 Year Product Warranty-25 Year Linear Power Warranty



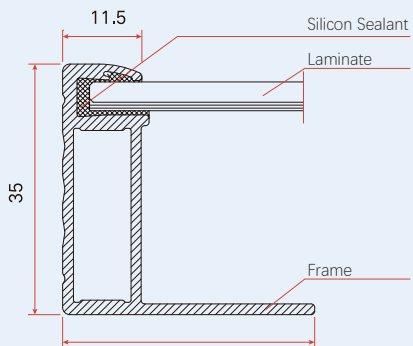
认证



DIMENSIONS OF PV MODULE

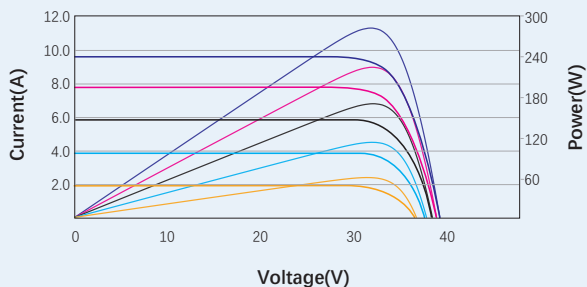


Back View



A-A

Current-Voltage & Power-Voltage Curves(280W)



MECHANICAL DATA

Solar cells	Multicrystalline 158.75*79.375mm
Cell orientation	120cells (12*10)
Module dimensions	1700*1004*35mm
Weight	18.8kg
Glass	High Transparency, Anti-Reflective, A R Coated and Heat Tempered Solar Glass -3.2mm
Backsheet	White
Frame	Silver Anodized Aluminium Alloy ( Black Available)
J-Box	IP 68 rated
Cables	Photovoltaic Technology cable 4.0 mm <sup>2</sup> , Customized Available
Connector	MC4 Compatible

ELECTRICAL DATA@STC

	280	285	290	295	300
STC: Irradiance 1000 W/m <sup>2</sup> , Cell Temperature 25°C, Air Mass AM1.5 according to EN 60904-3. Average efficiency reduction of 4.5% at 200 W/m <sup>2</sup> according to EN 60904-1.					
Open Circuit Voltage-V <sub>oc</sub> (V)	38.4	38.7	39.0	39.3	39.6
Short Circuit Current-I <sub>sc</sub> (A)	9.46	9.53	9.60	9.67	9.74
Maximum Power Voltage-V <sub>MPP</sub> (V)	31.2	31.5	31.8	32.1	32.4
Maximum Power Current-I <sub>MPP</sub> (A)	8.98	9.05	9.12	9.19	9.26
Module Efficiency (%)	16.4	16.7	17.0	17.3	17.6

ELECTRICAL DATA@NOCT

	NOCT: Irradiance at 800 W/m <sup>2</sup> , Ambient Temperature 20°C, Wind Speed 1 m/s				
Maximum Power-P <sub>Max</sub> (Wp)	207	211	215	218	222
Maximum Power Voltage-V <sub>MPP</sub> (V)	28.8	29.1	29.4	29.6	29.9
Maximum Power Current-I <sub>MPP</sub> (A)	7.20	7.26	7.31	7.37	7.43
Open Circuit Voltage-V <sub>oc</sub> (V)	35.8	36.1	36.4	36.7	37.0
Short Circuit Current-I <sub>sc</sub> (A)	7.62	7.68	7.73	7.79	7.85

TEMPERATURE RATINGS

Nominal Operating Cell Temperature (NOCT)	44°C (±3°C)	Temperature Coefficient of Voc	-0.29%/°C
Temperature Coefficient of P <sub>Max</sub>	-0.37%/°C	Temperature Coefficient of I <sub>sc</sub>	0.047%/°C

MAXIMUM RATINGS

Operational Temperature	-40 to +85°C	Max Series Fuse Rating	20A
Maximum System Voltage	1500V DC (IEC/UL)		

WARRANTY

10 year workmanship warranty
25 year linear performance warranty
(Please refer to product warranty for details)

