



High-performance solar starts with the right foundation.

Brilliant Rack simplifies and accelerates commercial and utility-scale ground-mount installations.

We leverage over 30 years of engineering expertise to deliver the industry's strongest fixed-tilt racking solution designed for multiple foundation options and site needs.

SIMPLE

- Fewer system components and only two standard bolt sizes
- Customizable, three-axis tolerance conforms to site topography
- Compatible with most modules on the market
- Seamless installation with any foundation type

FAST

- Quickly install up to 14 panels at once with Xpress Mount™ technology
- Reduce labor time and costs with preassembled tilt beams and built-in wire management
- Integrated electrical bonding method using serrated nuts and bolts (no WEEBs required)

DURABLE

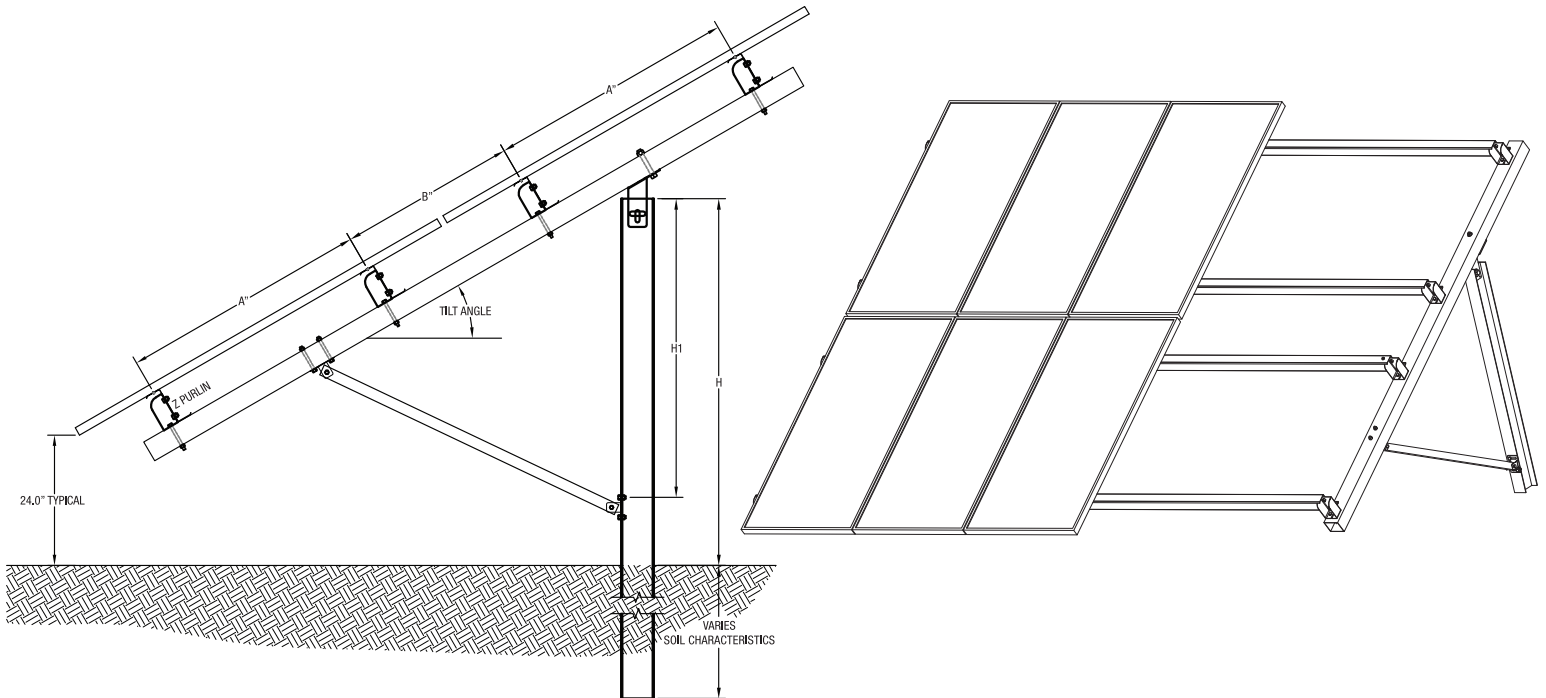
- 20-year warranty
- UL 2703 certified
- Corrosion-free galvanized steel (certified to ASTM 123)
- Made in the USA



**ADVANCED
RACKING**

GROUND MOUNT[®]

Simply Smarter



TECHNICAL INFORMATION

Application	Commercial And Utility Scale
UL 2703 Listed	Certificate #20141206-E468245
Panel Orientation	2-High Portrait
Tilt Angle	5° To 35°
Material	Galvanized Steel Per ASTM123
Wind Load	Up To 150 MPH
Max Snow Load	Up To 50 PSF
Site Conditions	Handles Up To 10° Slope
Module Mounting Type	Serrated Flange Nut And Bolt
Compatible Modules	All Bottom-Mount Framed Modules
Warranty	20 Years
Lead Time	*3-4 Weeks From Time PO Is Placed



**ADVANCED
RACKING**

For more information contact:

540-491-4091
info@advancedracking.com
www.advancedracking.com

