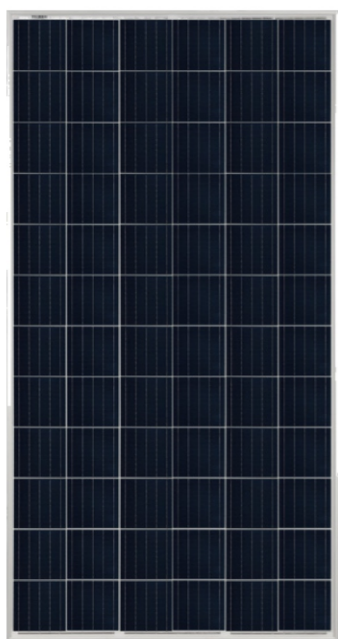


**72 CELL**  
POLYCRYSTALLINE MODULE

**340W-360W**  
POWER OUTPUT RANGE

**18.15%**  
MAXIMUM EFFICIENCY

**0~+5W**  
POSITIVE POWER TOLERANCE



ISO9001:2015 Quality management systems  
ISO14001: 2015 Quality management systems  
OHSAS18001: 2018 Occupational health and safety management systems

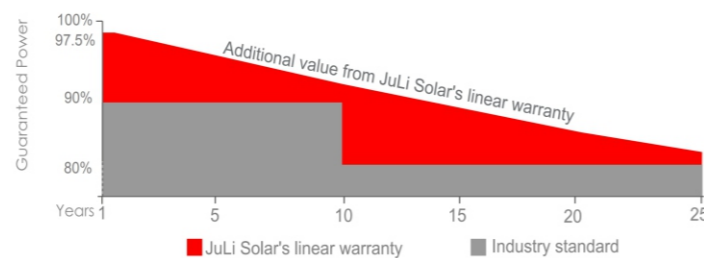
IEC61215, IEC61730, UL1703 certified product



- Ideal for large scale installations**
  - High power footprint reduces installation time & BOS costs
- One of the industry's most trusted modules**
  - Field proven performance
  - Juli NewEnergy's financial solidity consistently confirmed by banks and investors
- Highly reliable due to stringent quality control**
  - Over 30 in-house tests(UV,HF,and many more)
  - In-house testing goes well beyond certification requirements
- Certified to withstand challenging environmental conditions**
  - 2400 Pa wind load
  - 5400 Pa snow load
- High conversion efficiency**
  - Due to top quality wafers
  - Advanced cell technology
- PID and snail trails free**
  - Selected encapsulating material
  - Stringent production process control
- Excellent performance under low irradiance**
  - Special cell process
- Additional yield and easy maintenance**
  - Highly transparent self-cleaning glass

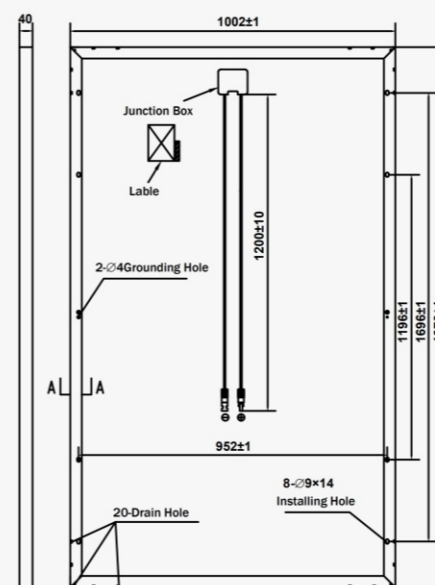
### LINEAR PERFORMANCE WARRANTY

- 12-year product warranty
  - 25-year linear power output warranty
- 0.7% Annual Degradation Over 25 years**

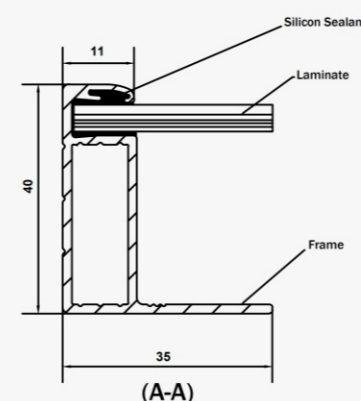


## TECHNICAL PARAMETERS

DIMENSIONS OF PV MODULE(mm)

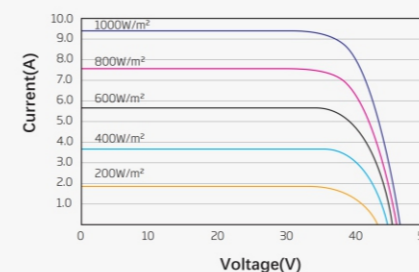


Back View

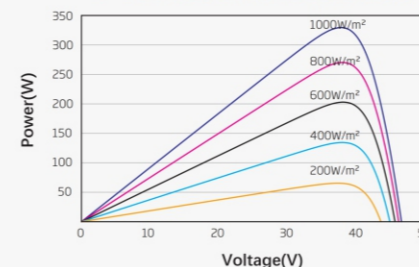


(A-A)

I-V CURVES OF PV MODULE(345W)



P-V CURVES OF PV MODULE(345W)



### MECHANICAL DATA

Module Dimensions	1979 × 1002 × 40mm
Weight	22.5kg
Cell	Polycrystal 158.75mm x 158.75mm
Glass	3.2mm AR tempered
Frame	Anodized aluminum alloy
Junction Box	IP67
Cables	4.0 mm <sup>2</sup> , 1200mm (Customized Length)
Connector	MC4 compatible
Wind/Snow Load	2400 Pa /5400 Pa

### ELECTRICAL DATA (STC)

Module Type (JLS72P)	360W	355W	350W	345W	340W
	STC	STC	STC	STC	STC
Peak Power (P <sub>max</sub> )	360W	355W	350W	345W	340W
Open Circuit Voltage (V <sub>oc</sub> )	47.2V	47.0V	46.8V	46.6V	46.4V
Short Circuit Current(I <sub>sc</sub> )	9.66A	9.60A	9.54A	9.48A	9.42A
Maximum Power Voltage(V <sub>mp</sub> )	39.0V	38.8V	38.6V	38.3V	38.1V
Maximum Power Current (I <sub>mp</sub> )	9.23A	9.15A	9.07A	9.01A	8.92A
Module Efficiency	18.15%	17.90%	17.65%	17.40%	17.15%
Power Tolerance	0~+5W				
Maximum System Voltage	DC1000V/DC 1500V				
Max Series Fuse Rating	15A				

STC:Irradiance 1000W/m<sup>2</sup>,25°C,AM1.5

### TEMPERATURE RATINGS

Temperature Coefficient of P <sub>max</sub>	-0.40%/°C
Temperature Coefficient of V <sub>oc</sub>	-0.33%/°C
Temperature Coefficient of I <sub>sc</sub>	0.06%/°C
Operational Temperature	-40~+85°C
NOCT(Nominal Operating Cell Temperature)	45 ± 2°C

### PACKAGING CONFIGURATION

Container	20GP	40HQ
Quantity/pallet	27	27
Pallets/container	10	22
Quantity/container	270	638

Specifications are subject to change without prior notice

