

# Honor Solar

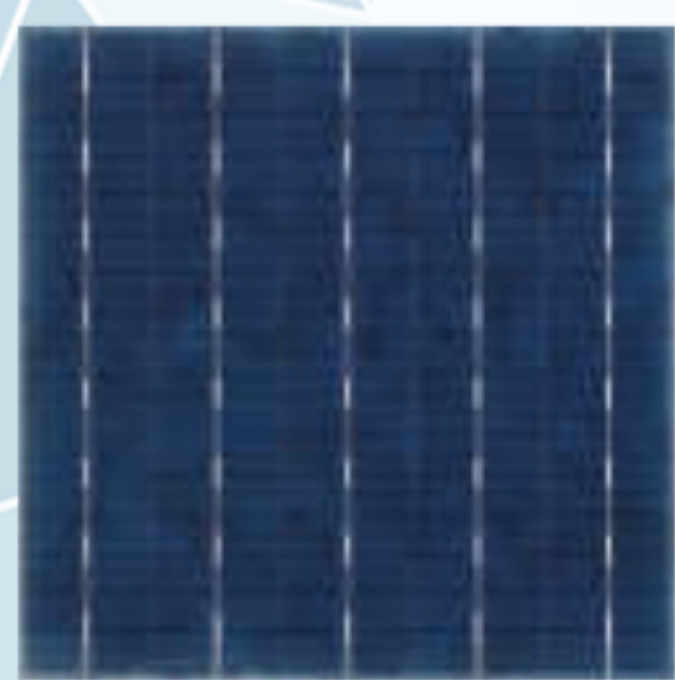
## HY-P3/72

## HY-P3/72H

### Polycrystalline Module

### 330-365W

Cell Type



5BB



## 365W

Maximum Power Output

## 18.5%

Maximum Module Efficiency

## 0~+5W

Power Output Guarantee



• Highly transparent self-cleaning glass brings additional yield and easy maintenance



• Selected encapsulating material and stringent production process control ensure the product is highly PID resistant and snail trails free



• Optimized system performance due to module level current sorting



• Sand blowing test, salt mist test and ammonia test passed to endure harsh environments



• Lower LID due to lower oxygen and carbon content

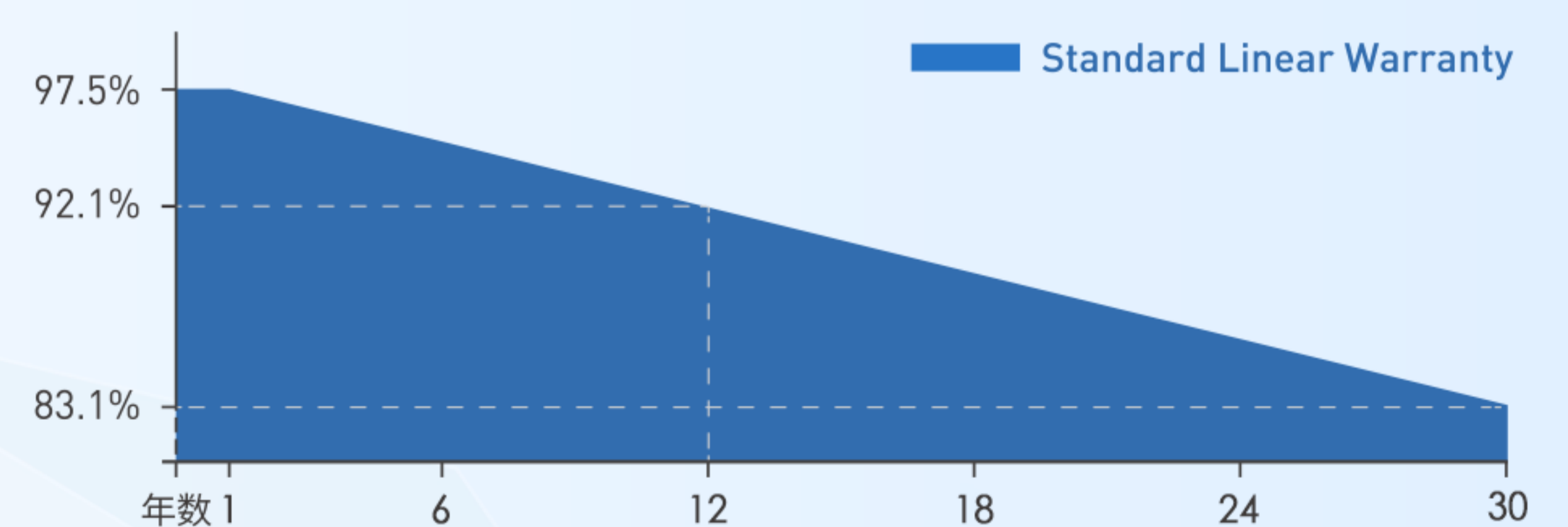


• Special cutting and soldering technology leads to low hotspot risk

### Delivers Reliable Performance Over Time

- manufacturer of crystalline silicon photovoltaic modules
- Fully automatic facility and world-class technology
- Rigorous quality control to meet the highest standard: ISO9001:2015, ISO14001: 2015 and OHSAS: 18001 2007
- Tested for harsh environments (salt mist, ammonia corrosion and sand blowing test: IEC 61701, IEC 62716, DIN EN 60068-2- 68)
- Long term reliability tests
- 2x100% EL inspection ensuring defect-free modules

### Linear Performance Warranty



12 Years Product Warranty 30 Years Linear Power Warranty

\* Please refer to standard warranty for details

### Product certification



# HY-P3/72 HY-P3/72H

## Polycrystalline Module 330-365W

### Electrical Specification (STC\*)

	P <sub>max</sub> (W)	330	335	340	345	350	355	360	365
Maximum Power	P <sub>max</sub> (W)	330	335	340	345	350	355	360	365
Maximum Power Voltage	V <sub>mp</sub> (V)	37.97	38.32	38.61	38.84	39.11	39.40	39.70	38.15
Maximum Power Current	I <sub>mp</sub> (A)	8.69	8.74	8.81	8.88	8.95	9.01	9.07	9.57
Open Circuit Voltage	V <sub>oc</sub> (V)	46.18	46.41	46.65	46.88	47.10	47.30	47.50	46.83
Short Circuit Current	I <sub>sc</sub> (A)	9.23	9.31	9.40	9.49	9.58	9.67	9.76	10.13
Module Efficiency	(%)	16.8	17.0	17.3	17.5	17.8	18.0	18.3	18.5
Power Output Tolerance	(W)	0~+5							

\* Irradiance 1000W/m<sup>2</sup>, Module Temperature 25°C, Air Mass 1.5

### Electrical Specification (NOCT\*)

	P <sub>max</sub> (W)	246.39	250.28	254.18	256.69	260.64	264.62	268.63	272.70
Maximum Power	P <sub>max</sub> (W)	246.39	250.28	254.18	256.69	260.64	264.62	268.63	272.70
Maximum Power Voltage	V <sub>mp</sub> (V)	35.30	35.50	35.70	35.80	36.00	36.20	36.40	35.60
Maximum Power Current	I <sub>mp</sub> (A)	6.98	7.05	7.12	7.17	7.24	7.31	7.38	7.66
Open Circuit Voltage	V <sub>oc</sub> (V)	43.10	43.30	43.60	43.70	43.90	44.10	44.30	43.70
Short Circuit Current	I <sub>sc</sub> (A)	7.45	7.51	7.59	7.66	7.73	7.80	7.88	8.19

\* Irradiance 800W/m<sup>2</sup>, Ambient Temperature 20°C, Wind Speed 1m/s

### Mechanical Data

Number of Cells	144 Cells (6×24)
Dimensions of Module L*W*H (mm)	1986×992×35mm (78.18×39.05×1.38 inches)
Weight (kg)	22.6 kg
Glass	High transparency solar glass 3.2mm (0.13 inches)
Backsheet	White
Frame	Silver, anodized aluminium alloy
J-Box	IP68 Rated
Cable	4.0mm <sup>2</sup> (0.006 inches <sup>2</sup> ), 300mm (11.8 inches)
Number of diodes	3
Wind/ Snow Load	2400Pa/ 5400Pa*
Connector	MC Compatible

\* For more details please check the installation manual of SI

### Temperature Ratings

Nominal Operating Cell Temperature (NOCT)	44±2°C
Temperature Coefficient of I <sub>sc</sub>	+0.06%/°C
Temperature Coefficient of V <sub>oc</sub>	-0.30%/°C
Temperature Coefficient of P <sub>MAX</sub>	-0.39%/°C

### Maximum Ratings

Operational Temperature	-40~+85°C
Maximum System Voltage	1500V DC
Max Series Fuse Rating	20A

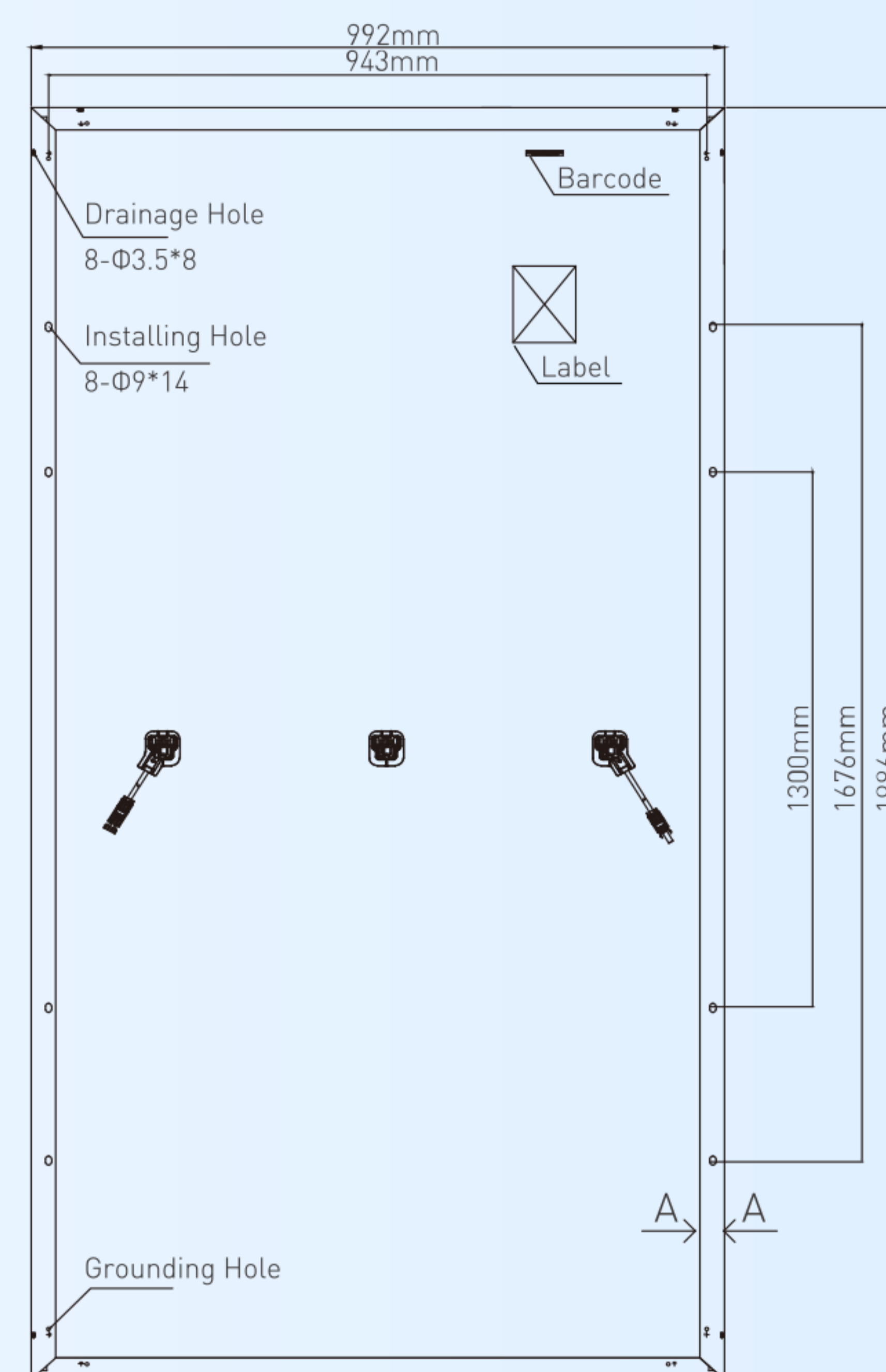
### Optional

Connector:  Original MC4

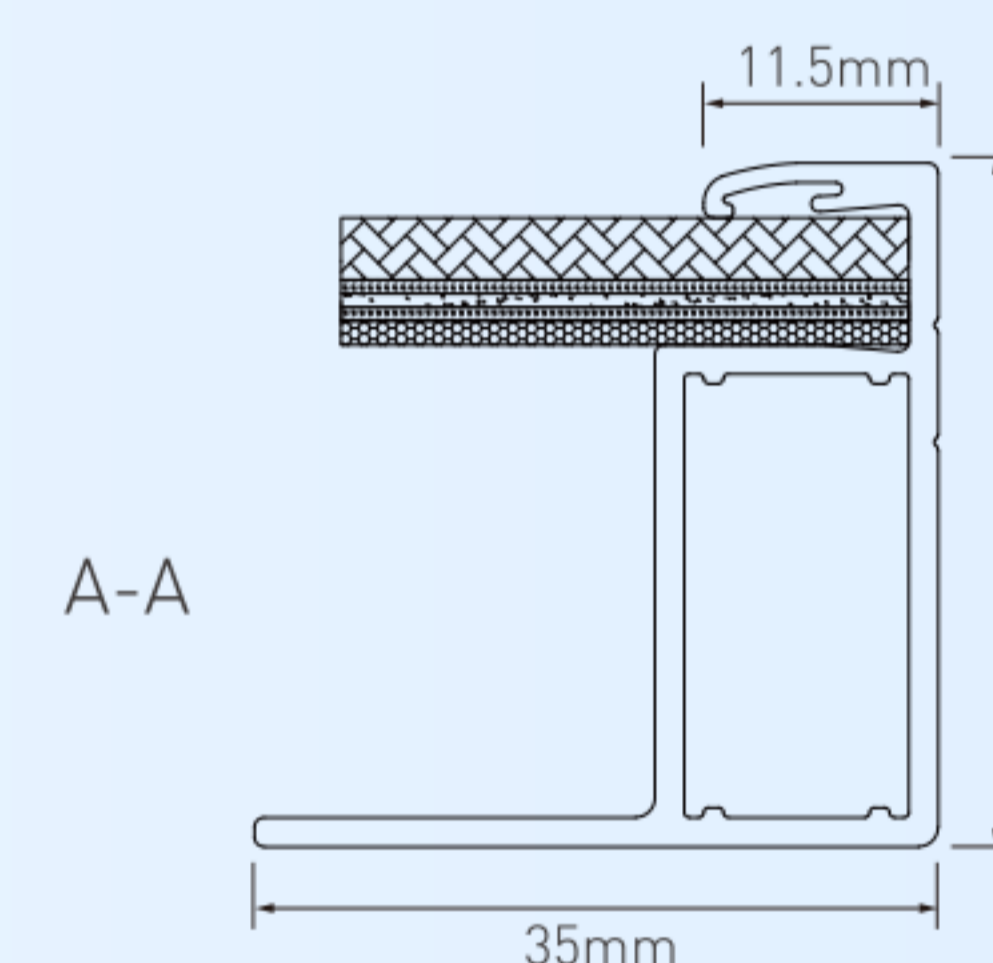
### Packaging Configuration

Module per box	30 pieces
Module per 40' container	660 pieces

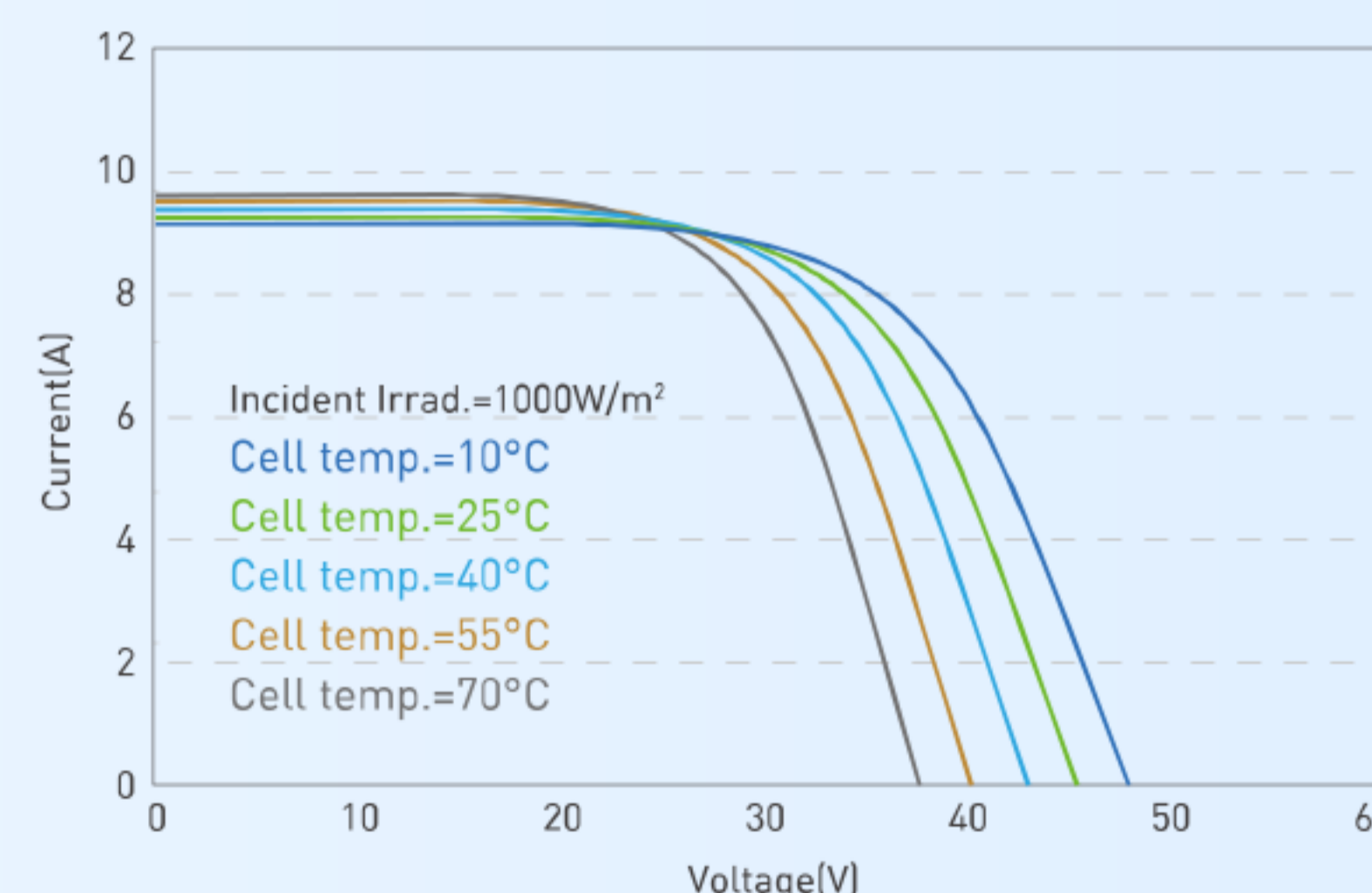
### Module Dimension



### Back View



### I-V Curve at Different Temperature (335W)



### I-V/P-V Curve at Different Irradiation (335W)

