

Half Cell

325W-345W



60 LAYOUT

MONOCRYSTALLINE MODULE

325W-345W

POWER OUTPUT RANGE

20.2%

MAXIMUM EFFICIENCY

0~+5W

POSITIVE POWER TOLERANCE

Apply to



home roof



ground Power Station



Industrial and Commercial Roofs



E:info@inesolar.com
W:www.inesolar.com



Higher Output of Power

Effectively reduce the unit cost of PV solar system by watt



Optimize the temperature coefficient

Improve the performance under the condition of shadow and low temperature coefficient



Reduce the shadow loss on the power output

Effectively reduce the risk of heat spot on high efficiency PV module

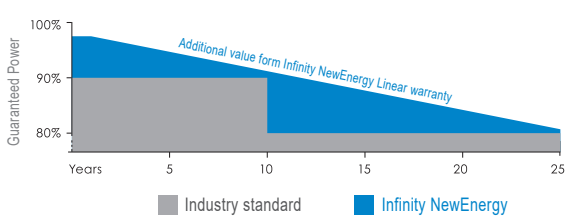


Stronger the physical property

Optimize the property of power generating and reliability of the system

LINEAR PERFORMANCE WARRANTY

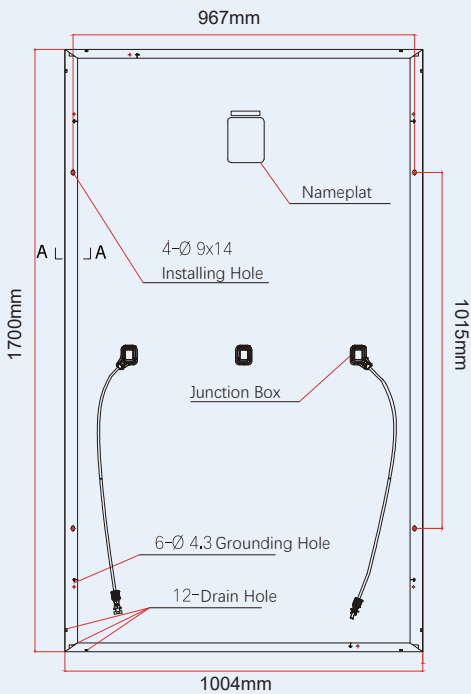
10 Year Product Warranty-25 Year Linear Power Warranty



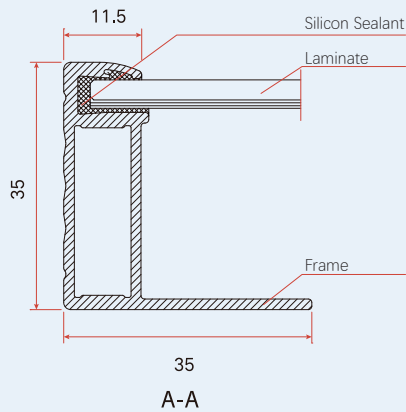
认证



DIMENSIONS OF PV MODULE

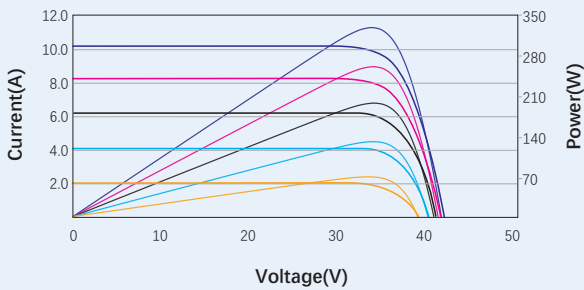


Back View



A-A

Current-Voltage & Power-Voltage Curves(335W)



MECHANICAL DATA

| | |
|-------------------|---|
| Solar cells | Monocrystalline 158.75×79.375mm |
| Cell orientation | 120cells (12×10) |
| Module dimensions | 1700×1004×35mm |
| Weight | 18.8kg |
| Glass | High Transparency, Anti-Reflective, A R Coated and Heat Tempered Solar Glass -3.2mm |
| Backsheet | White |
| Frame | Silver Anodized Aluminium Alloy (Black Available) |
| J-Box | IP 68 rated |
| Cables | Photovoltaic Technology cable 4.0 mm ² , Customized Available |
| Connector | MC4 compatible |

ELECTRICAL DATA@STC

| | 325 | 330 | 335 | 340 | 345 |
|--|------|-------|-------|-------|-------|
| STC: Irradiance 1000 W/m ² , Cell Temperature 25°C, Air Mass AM1.5 according to EN 60904-3. Average efficiency reduction of 4.5% at 200 W/m ² according to EN 60904-1. | | | | | |
| Open Circuit Voltage-V _{oc} (V) | 41.9 | 42.2 | 42.6 | 43.0 | 43.4 |
| Short Circuit Current-I _{sc} (A) | 9.97 | 10.01 | 10.05 | 10.09 | 10.13 |
| Maximum Power Voltage-V _{MPP} (V) | 34.0 | 34.3 | 34.6 | 34.9 | 35.2 |
| Maximum Power Current-I _{MPP} (A) | 9.56 | 9.63 | 9.69 | 9.75 | 9.81 |
| Module Efficiency (%) | 19.0 | 19.3 | 19.6 | 19.9 | 20.2 |

ELECTRICAL DATA@NOCT

| | NOCT: Irradiance at 800 W/m ² , Ambient Temperature 20°C, Wind Speed 1 m/s | | | | |
|--|---|------|------|------|------|
| Maximum Power-P _{MAX} (Wp) | 241 | 245 | 248 | 252 | 256 |
| Maximum Power Voltage-V _{MPP} (V) | 31.4 | 31.7 | 31.9 | 32.2 | 32.5 |
| Maximum Power Current-I _{MPP} (A) | 7.67 | 7.72 | 7.77 | 7.82 | 7.87 |
| Open Circuit Voltage-V _{oc} (V) | 39.1 | 39.4 | 39.8 | 40.2 | 40.5 |
| Short Circuit Current-I _{sc} (A) | 8.04 | 8.07 | 8.10 | 8.14 | 8.17 |

TEMPERATURE RATINGS

| | | | |
|---|--|--|-----------|
| Nominal Operating Cell Temperature (NOCT) 44°C (±3°C) | Temperature Coefficient of V _{oc} | -0.29%/°C | |
| Temperature Coefficient of P _{MAX} | -0.37%/°C | Temperature Coefficient of I _{sc} | 0.047%/°C |

MAXIMUM RATINGS

| | | | |
|-------------------------|-------------------|------------------------|-----|
| Operational Temperature | -40 to +85°C | Max Series Fuse Rating | 20A |
| Maximum System Voltage | 1500V DC (IEC/UL) | | |

WARRANTY

| |
|--|
| 10 year workmanship warranty |
| 25 year linear performance warranty |
| (Please refer to product warranty for details) |

