



17.4 % EFFICIENCY

UP TO 290 W

60 CELLS



EUPD RESEARCH

TOP BRAND PV

MODULES

GERMANY

2018



EUPD RESEARCH

TOP BRAND PV

MODULES

AUSTRALIA

2018



Exceeds the IEC standard 3 times over

Because standards are there to be surpassed.



Low series resistance

Because we want best yields for you.



PERC Technologies

Because a 3% increase in yield is better than nothing.



15 year product warranty

25 year linear performance guarantee.



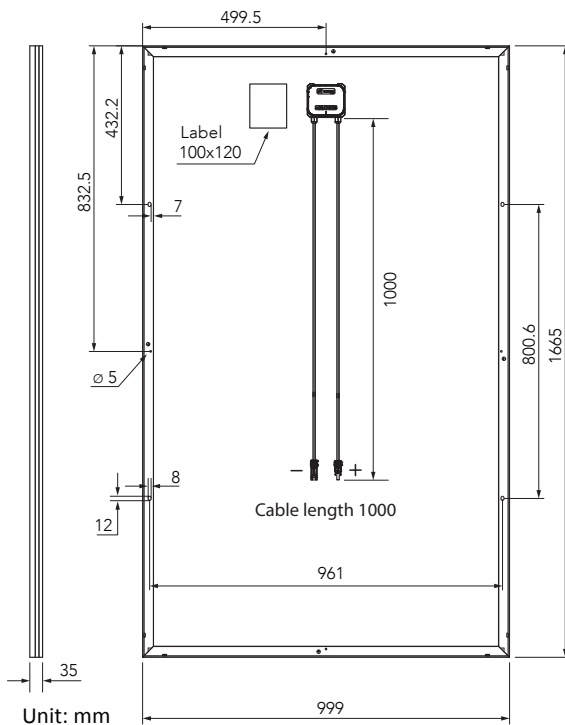
10 years of WINAICO quality modules

WINAICO has been providing the global market with quality solar panels for over 10 years.



100% electroluminescence test

Because we only deliver premium solar modules.



Mechanical data

Cell	Polycrystalline 156.75 x 156.75 mm
Quantity and wiring of cells	60 in series
Dimensions	1,665 x 999 x 35 mm (65.55 x 39.33 x 1.38 in)
Weight	18.6 kg (41.0 lbs)
Glass thickness	3.2 mm (0.13 in)
Frame	Silver anodised aluminium
Junction box	IP 67
Connector type	MC4 (PV-KBT4/PV-KST4) IP68; QC4.10 IP67
Module fire performance	Type 4
Fire safety class	C

Operating conditions

Operating temperature	-40°C to +85°C / -40°F to +185°F
Maximum system voltage IEC/UL	1,000V/1,000V
Maximum series fuse	20 A
Maximum design load (+) / (-)	3,600 Pa / 2,400 Pa
Maximum test load (+) / (-)	5,400 Pa / 3,600 Pa
Nominal Module Operating Temperature NMOT	45 ± 3°C
Temperature coefficient of P_{MAX}	-0.41%/°C
Temperature coefficient of V_{OC}	-0.30%/°C
Temperature coefficient of I_{SC}	0.05%/°C

Certifications

IEC 61215-1:2016, IEC 61215-2:2016, IEC 61730-1:2016, IEC 61730-2:2016

Electrical data (STC)		WST-285P6	WST-290P6	
Nominal performance	P_{MAX}	285	290	Wp
Voltage at maximum performance	V_{MP}	31.30	31.32	V
Current at maximum performance	I_{MP}	9.11	9.27	A
Open circuit voltage	V_{OC}	38.92	39.14	V
Short circuit current	I_{SC}	9.57	9.65	A
Module efficiency		17.13	17.43	%
Power tolerance		-0/+5		W

The electrical data applies under standard test conditions (STC): solar radiation 1,000 W/m² with light spectrum AM 1.5, with cell temperature 25°C. Measurement tolerance of P_{MAX} at STC: ±3%. Accuracy of other electrical data: ±10%.

Electrical data (NMOT)		WST-285P6	WST-290P6	
Nominal performance	P_{MAX}	201	205	Wp
Voltage at maximum performance	V_{MP}	27.83	27.85	V
Current at maximum performance	I_{MP}	7.24	7.37	A
Open circuit voltage	V_{OC}	35.45	35.65	V
Short circuit current	I_{SC}	7.55	7.61	A

The electrical data applies under Nominal Module Operating Temperature (NMOT), irradiance of 800 W/m², spectrum AM 1.5, ambient temperature 20°C, wind speed 1 m/s.



WINAICO Deutschland GmbH
 Tel + 49 7933 700 300
 Fax + 49 7933 700 3010
 germany@winaico.com · www.winaico.com
 Industriestraße 68, 97993 Creglingen, GERMANY



WINAICO is a trademark of
 Win Win Precision Technology Co., Ltd.