

HFM IIIW SERIES

High Frequency Pure Sine Wave Hybrid Inverter



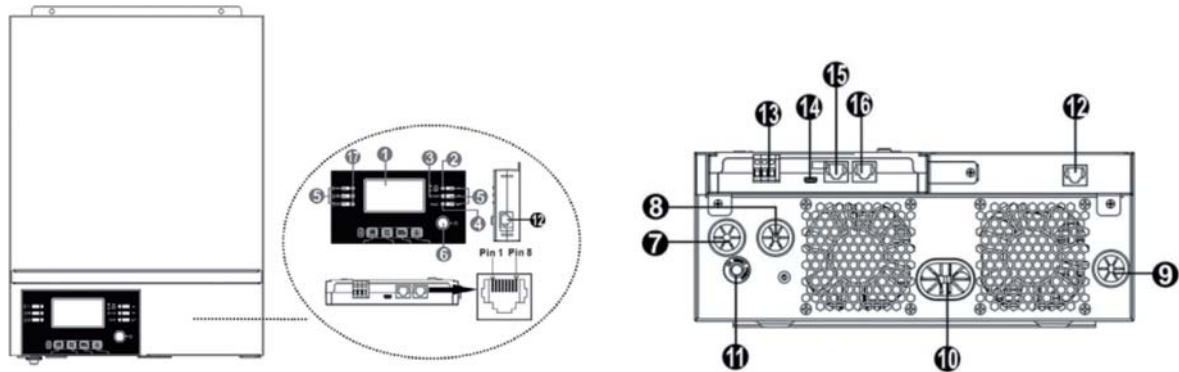
Product Description

This is an upgraded multi functional inverter/charger, combining functions of inverter, solar charger and AC charger to offer uninterruptible power support in portable size. Support Bluetooth for mobile monitoring, and its detachable LCD display module offers user-configurable and easy-accessible button operation such as battery charging current, AC/solar charger priority, and acceptable input voltage based on different applications.

Main Features

- Support Bluetooth for mobile monitoring (Android App available).
- Detachable LCD control module with multiple communications.
- High efficiency pure sine wave inverter, Wide PV input range large Intelligent 3stage AC charging.
- Surges to 2X continuous power for 5 seconds for motor loads.
- Support solar input prioritization.
- Support operation without battery, supply power from Grid or PV if battery not available.
- Auto restart while AC is recovering.
- Field serviceable with replacement boards and spare parts.

Product Overview



- | | |
|------------------------|--|
| 1. LCD display | 10. Battery input |
| 2. Status indicator | 11. Circuit breaker |
| 3. Charging indicator | 12. Remote LCD panel communication port |
| 4. Fault indicator | 13. Dry contact |
| 5. Function buttons | 14. USB communication port |
| 6. Power on/off switch | 15. USB Communication port: CAN and RS232 or RS485 |
| 7. AC input | 16. RS-232 communication port |
| 8. AC output | 17. USB function setting |
| 9. PV input | |

HFM IIIW SERIES

High Frequency Pure Sine Wave Hybrid Inverter

Grandglow[®]



Technical Specifications

MODEL	Grandglow HFM 3000IIIW	Grandglow HFM 3500IIIW	Grandglow HFM 5000IIIW	Grandglow HFM 5500IIIW
Rated Power	3200VA/3200W	3500VA/3500W	5000VA/5000W	5500VA/5500W
INPUT				
Voltage	230VAC			
Selectable Voltage Range	170-280 VAC (For Personal Computers) ; 90-280 VAC (For Home Appliances)			
Frequency Range	50 Hz/60 Hz (Auto sensing)			
OUTPUT				
AC Voltage Regulation (Batt. Mode)	230VAC±5%			
Surge power	6000VA	7000VA	10000VA	11000VA
Efficiency (Peak)	93%			
Transfer time	10 ms (For Personal Computers) ; 20 ms (For Home Appliances)			
Waveform	Pure sine wave			
BATTERY				
Battery Voltage	24VDC	24VDC	48VDC	48VDC
Floating Charge Voltage	27VDC	27VDC	54VDC	54VDC
Overcharge Protection	33VDC	33VDC	60VDC	60VDC
SOLAR CHARGER & AC CHARGER				
Max. PV Array Open Circuit Voltage	500VDC	500VDC	500VDC	500VDC
Max. PV Array Power	4000W	5000W	5000W	6000W
MPPT Range @operating Voltage	120-450VDC	120-450VDC	120-450VDC	120-450VDC
Max. Solar Charge Current	80A	80A	80A	80A
Max. AC Charge Current	60A	60A	60A	60A
Max. Charge Current	80A	100A	80A	100A
PHYSICAL				
Dimension, , D * W* H(mm)	115*300*440			
Net weight (kg)	9	9	10	10
Communication Interface	USB/RS232/RS485/BLUETOOTH/DRY-CONTACT			
ENVIRONMENT				
Humidity	5% to 95% Relative Humidity (Non-condensing)			
Operating Temperature	-10°C-50°C			
Storage Temperature	-15°C-60°C			

Note: can be customized according to customer requirements