



TARZAN SERIES

HTM-TSA-345M2~365M2

Ultra-High Efficient Plate-Interconnection Monocrystalline PV Module



ULTRA-HIGH POWER OUTPUT

Maximum power output can be increased by 15% compared with the standard modules when solar cells with the same efficiency are used



HOT-SPOT IMMUNITY

Excellent hot-spot immunity, can effectively avoid the power loss caused by shadow coverage, significantly extends life span



DURABILITY AND RELIABILITY ENHANCEMENTS

Microcrack free, easy installation, power generating capacity is more secured



LOW LCOE

Savings in BOS and labour cost

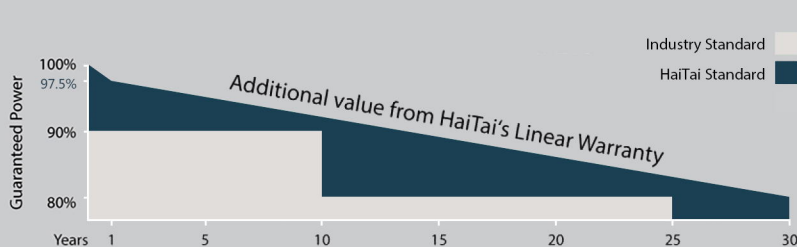


PHOTOVOLTAIC TOP RUNNER

Certified as TOP RUNNER in "Grid Parity Pioneer" of monocrystalline silicon modules

LINEAR PERFORMANCE WARRANTY

18 years Product Warranty / 30 years Linear Power Warranty



Mechanical Data

Cell Type	158.75mm Mono
Module Dimension	1785x994x35mm
Weight	20.0kg
Glass	3.2mm high transmittance, reinforced glass
Backsheet	Anti-aging film
Frame Material	Anodized aluminum alloy
Junction Box	Protection class IP68
Cable	4.0mm ² photovoltaic special cable
Connector	MC4 compatible connector

HTM-TSA-345M2~365M2

Ultra-High Efficient Plate-Interconnection Monocrystalline PV Module

Electrical Data (STC)

Maximum Power (Pmax/W)	345	350	355	360	365
Voltage at Maximum Power (Vmp/V)	36.25	36.51	36.76	37.01	37.25
Current at Maximum Power (Imp/A)	9.52	9.59	9.66	9.73	9.80
Open Circuit Voltage (Voc/V)	43.05	43.37	43.69	44.01	44.31
Short Circuit Current (Isc/A)	10.03	10.10	10.17	10.24	10.31
Module Efficiency (%)	19.44	19.73	20.01	20.29	20.57

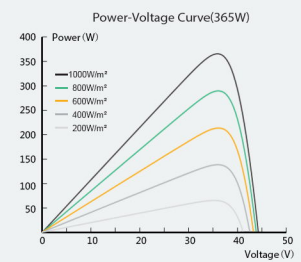
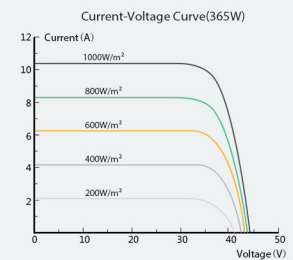
Electrical Data (NMOT)

Maximum Power (Pmax/W)	256	259	263	267	271
Voltage at Maximum Power (Vmp/V)	34.74	34.96	35.31	35.66	36.01
Current at Maximum Power (Imp/A)	7.37	7.41	7.45	7.49	7.53
Open Circuit Voltage (Voc/V)	42.14	42.42	42.86	43.29	43.72
Short Circuit Current (Isc/A)	7.89	7.93	7.97	8.01	8.05

STC(Standard Testing Conditions): Irradiance 1000W/m², Cell Temperature 25°C, AM1.5

NMOT(Nominal Module Operating Temperature): Irradiance 800W/m², Ambient Temperature 20°C, Wind Speed 1m/s

I-V Curve



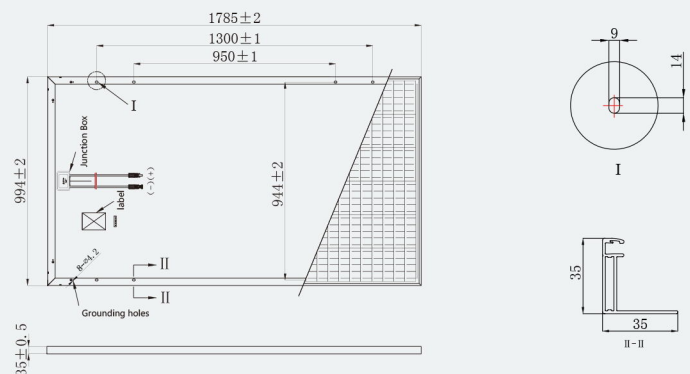
Temperature Coefficients

Temperature Coefficient (Pm)	-0.292%/°C
Temperature Coefficient (Voc)	-0.268%/°C
Temperature Coefficient (Isc)	0.041%/°C

Operating Parameters

Maximum System Voltage	1000/1500V
Operating Temperature	-40°C ~ +85°C
NMOT(Nominal Module Operating Temperature)	41±3°C

Module Dimensions (mm)



Packaging

Modules per Pallet:	31+31 pcs
Modules per 40' HQ Container:	12 pallets, 744 pcs



Tangshan Haitai New Energy Technology Co., Ltd.

Add: No.88, Haomen Road, Yutian County, Tangshan City, Hebei Province, China

Te: +86-315-5051826 Email: ht@htsolargroup.com

Website: www.htsolar.com