

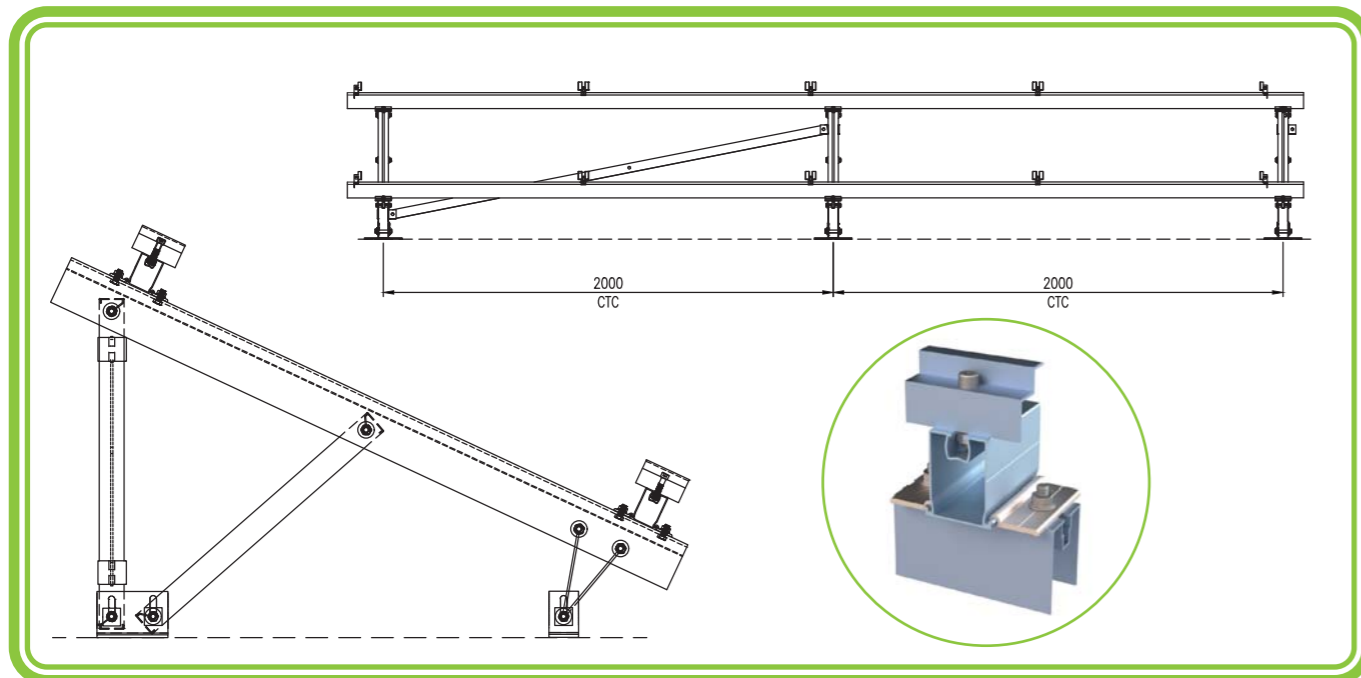
## PSI OMEGA

Single Portrait Mounting Systems - Elevated Ballast



### System Arrangement

- This mounting system can be designed and installed as per the available Roof Top area.
- For large scale projects customization of tables could be done.
- The Aluminum grade used is AA 6063 T6 with Silver Matt Anodising up to 15 - 18 microns.
- The fasteners are used as per CLASS A2 - 70
- The Inclination / Tilt angle depends on the latitude.
- The distance between the horizontal purlins will be according to the panel dimensions.
- TUV Certified Mounting Systems.



## PSI CORONA

Double Portrait Mounting Systems - Elevated Ballast



### System Arrangement

- This mounting system can be designed and installed as per the available Roof Top area.
- For large scale projects customization of tables could be done.
- The Aluminum grade used is AA 6063 T6 with Silver Matt Anodising up to 15 - 18 microns.
- The fasteners are used as per CLASS A2 - 70
- The Inclination / Tilt angle depends on the latitude.
- The distance between the horizontal purlins will be according to the panel dimensions.
- TUV Certified Mounting Systems.

