



Discovery 1-High Portait
Bolt Down Ground Mount - Existing Concrete

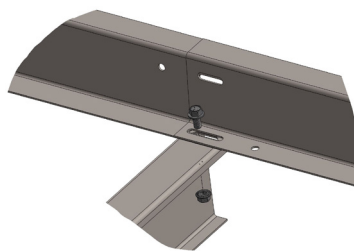
Light-Weight Solution For Any Terrain

The Discovery is a ballasted ground mount solution designed for commercial and utility scale installations. Benefits of the Discovery include minimal components for a fast installation, zero ground penetration, UL 467 integrated grounding, ability to easily move installations in the future, and a plate to adjust for any slope. The Discovery is the perfect solution for mounting solar installations into pre-existing concrete or attaching to ground screws or pre-formed ballast blocks.

Starter Section



Add-On Section



Purlin Attachment

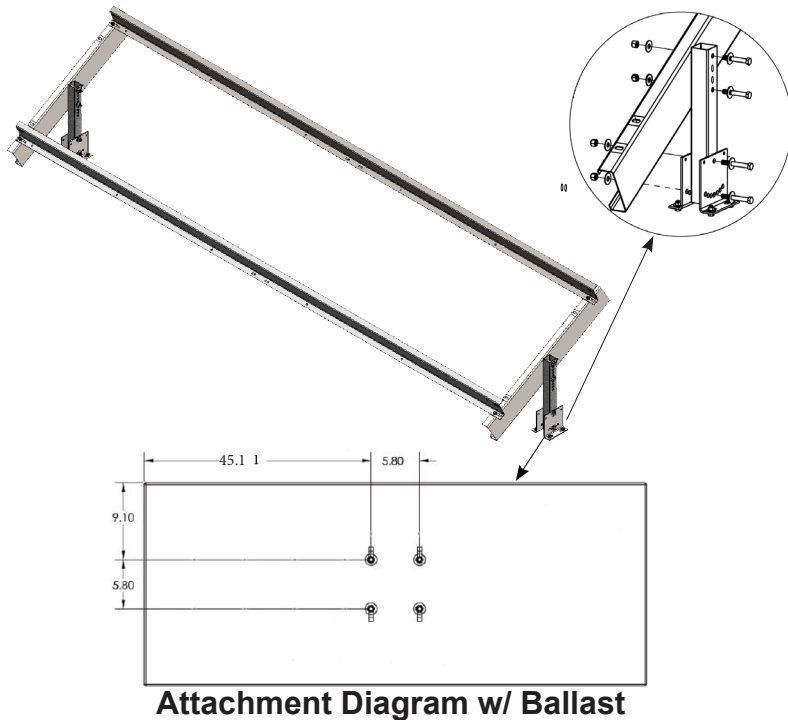
Key Features

- Only four main components
- Standard tilt angles 5° - 40°
- Accommodates terrain up to 7°
- UL 467 grounding mid clamp
- Mounts 60, 72, and 96 cell panels
- C-channel (standard), I-beam, helical, and screw posts
- Slide-in purlins for fast and easy installation
- Galvanized and hot-dipped steel construction

"Your Single Solar Source"

Discovery Bolted Mount

Bolt Down Ground Mount - Existing Concrete



Attachment Diagram w/ Ballast

Technical Specifications

Application	Open Field Layout
Foundation	Pre-existing concrete
Module Orientation	Portrait
Module Compatibility	All Major Brands - 60 & 72 Cell Modules
Tilt Angle Available	5° - 40°
Ground Clearance	Standard - 24"
Grade of Terrain	NS = 20° / EW = 5°
Wind Load	125 mph * Higher Wind Options Available
Snow Load	Up to 80 PSF *
Purlin Length	166" - 207"
Material Composition	Galvanized and Hot-Dipped Steel G-90 - Post, Truss & Rails
Warranty	20 Years
Manufacturing	Made in USA

Major Components

1. Post Mounting Bracket

Pre-punched holes allow for tilt adjustment to follow land contours with 0° - 20° of adjustability.

2. Adjustable Square Post

Multiple lengths available to meet various height clearances. Includes 1" increment holes for in field vertical adjustment.

3. Stamped Truss

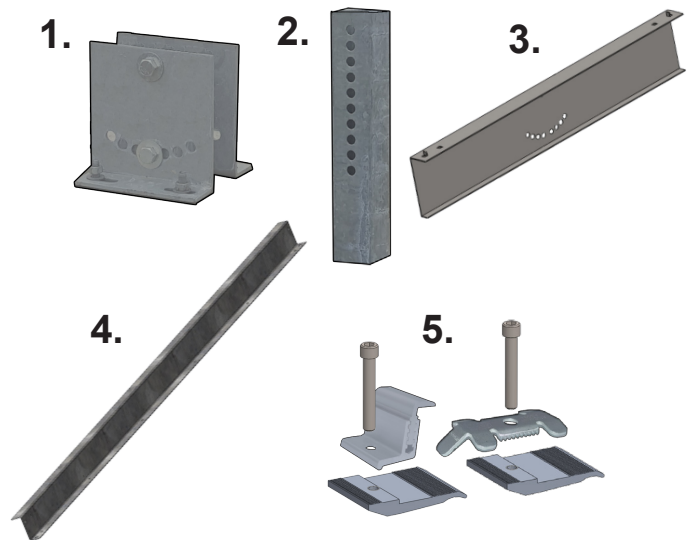
Pre-stamped truss design allows for faster connection to post.

4. Stamped Z-Purlin

Quick assembly with easy adjustment and convenient panel clip installation.

5. Mid & End Clamps

Mid clamps include integrated UL 467 grounding. Clamps are adjustable to accommodate all major module thicknesses from 30mm - 50 mm.



No.	Part	Starter Section	Add-On Section
1.	Plate, Ballasted Mount Adjust, Bent w/ Hilti Bolts	4 pcs	2 pcs
2.	Tube, 3" X 3" X 26"	2 pcs	1 pc
3.	120" C-Channel Stamped Truss	2 pcs	1 pc
4.	11 GA, Z Purlin	4 pcs	2 pcs
5.	Assy, Mid & End Clamps	12 pcs	12 pcs

All assembly hardware included.

*Snow loads are ground snow loads estimated at 7 deg.
*Wind loads are estimated at 7 deg.
*Loading is single factor snow only or wind only.
*All specifications subject to change without notice.