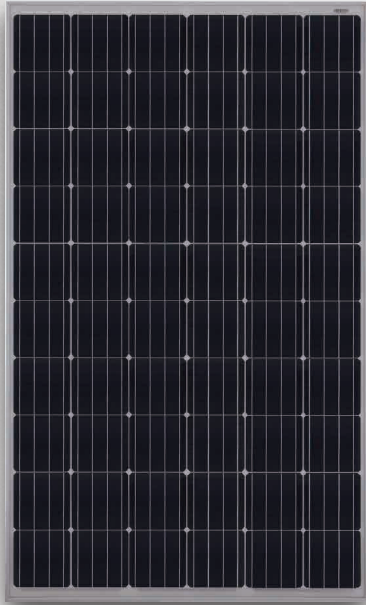


The logo for Herme Energy Technology Co., Ltd. features the word "herme" in a white, lowercase, sans-serif font. A stylized white swoosh or underline is positioned under the 'h' and extends towards the 'e'.

herme

ShangHai Herme Energy Technology Co., Ltd

[www.hermeenergy.com](http://www.hermeenergy.com)



## HE300-60M

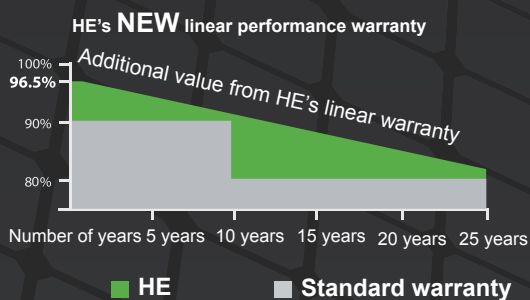
High Efficiency PERC Technology for Esthetic Applications

MONOCRYSTALLINE SILICON MODULE

HE300-60M HE295-60M  
HE290-60M

### Powerguard Insurance Global Coverage

The power output shall not be less than 96.5% of the minimum power output stated in the product data sheet in the first year of the product's life cycle. The loss of power output shall not exceed 0.7% per year thereafter, ending with 80.7% in the 25th year.



- High output, 18.48% highest conversion efficiency;
- Space – efficient due to the higher power outputs generated, these modules require less space;
- Longevity and durability;
- Good performance at low levels of radiation and high ambient temperature;
- Certificated to withstand wind(2400 Pa) and snow loads (5400 Pa);
- Passed salt mist & ammonia corrosion, blowing sand hail testing;
- Modules manufactured in compliance with international quality standards and quality management systems ISO9001;
- Easy installation and handling for various applications;
- Global distribution with local warehousing, delivery and after sales services.

**10 Years**

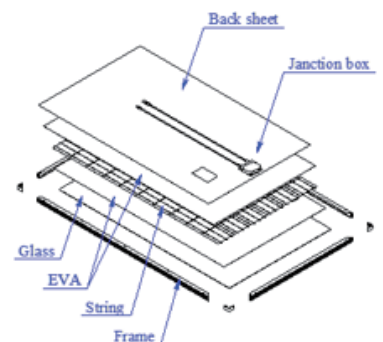
Manufacturing Warranty

**10 Years**

90% Power Output Warranty

**25 Years**

80% Power Output Warranty



ISO 9001  
14001



## Electrical Characteristics at Standard Test Conditions (STC)

Module Type	HE 300-60M	HE 295-60M	HE 290-60M
Maximum Power - Pmax (W)	300	295	290
Positive Power Tolerance	0~3%	0~3%	0~3%
Open Circuit Voltage - Voc (V)	39.8	39.6	39.5
Short Circuit Current - Isc (A)	9.60	9.54	9.47
Maximum Power Voltage - Vmpp (V)	32.2	32.0	31.9
Maximum Power Current - Imp (A)	9.31	9.22	9.10
Module Efficiency	18.48%	18.16%	17.86%

Standard test conditions (STC): irradiance 1000W/m<sup>2</sup>; AM 1.5G; cell temperature 25°C. Measuring uncertainty of power is within ±3%.  
Certified in accordance with IEC61215, IEC61730-1/2 and UL 1703.

## Electrical Characteristics at Nominal Operating Cell Temperature (NOCT)

Module Type	HE 300-60M	HE 295-60M	HE 290-60M
Maximum Power - Pmax (W)	227	222	214
Open Circuit Voltage - Voc (V)	37.3	37.1	36.1
Short Circuit Current - Isc (A)	7.74	7.69	7.60
Maximum Power Voltage - Vmpp (V)	31.0	30.6	30.0
Maximum Power Current - Imp (A)	7.32	7.25	7.13

Nominal operating cell temperature (NOCT): irradiance 800W/m<sup>2</sup>; wind speed 1 m/s; ambient temperature 20°C  
Measuring uncertainty of power is within ±3%. Certified in accordance with IEC61215, IEC61730-1/2 and UL 1703.

## Temperature Characteristics

Voltage Temperature Coefficient	-0.307%/K
Current Temperature Coefficient	+0.039%/K
Power Temperature Coefficient	-0.423%/K
NOCT	45 ±2°C

## Maximum Ratings

Maximum System Voltage (V)	1500
Series Fuse Rating (A)	20

## Mechanical Characteristics

Dimensions (L*W*H)	1640 x 992 x 35 mm
Weight	18.3 kg
Frame	Anodized aluminum profile
Front Glass	White toughened safety glass, 3.2 mm
Cell Encapsulation	EVA (Ethylene-Vinyl-Acetate)
Back Sheet	Composite film
Cells	6*10 pieces monocrystalline solar cells series strings (156*156mm)
Junction Box	Rated current ≥ 13A, IP ≥ 67, TUV & UL
Cable	Length 900 mm, 1x4 mm <sup>2</sup>
Connector	Compatible with MC 4

## Packaging

Dimensions (L*W*H)	1700 x 1140 x 1137 mm
Container 20'	360 pcs
Container 40'HC	896 pcs

## System Design

Temp. Range	-40°C to + 85°C
Hail	Max. diameter of 25mm with impact speed of 23m/s
Max. Capacity	Snow 5400 Pa, wind 2400 Pa
Application Class	A
Safety Class	II

## Dimensions

