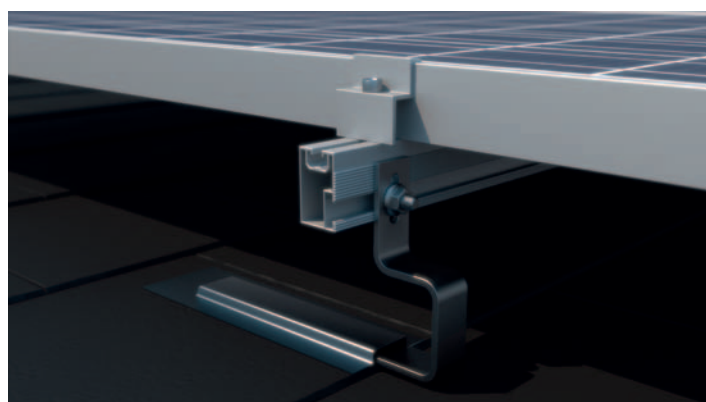
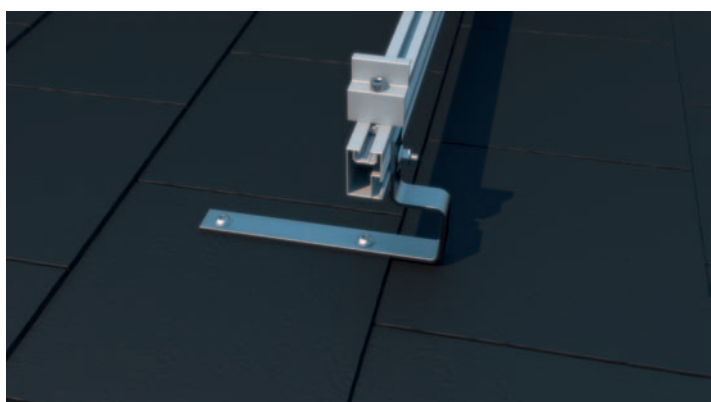
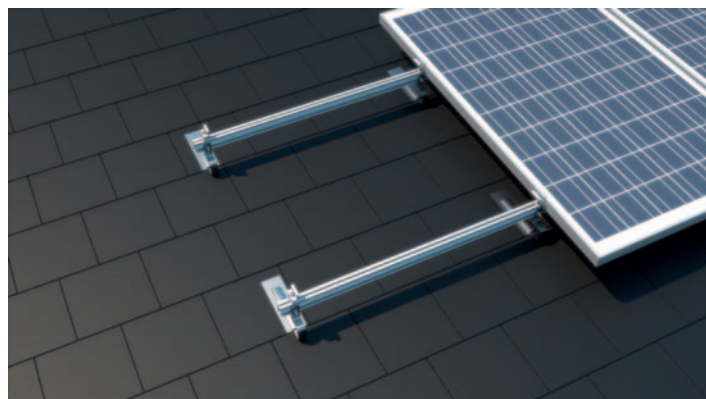
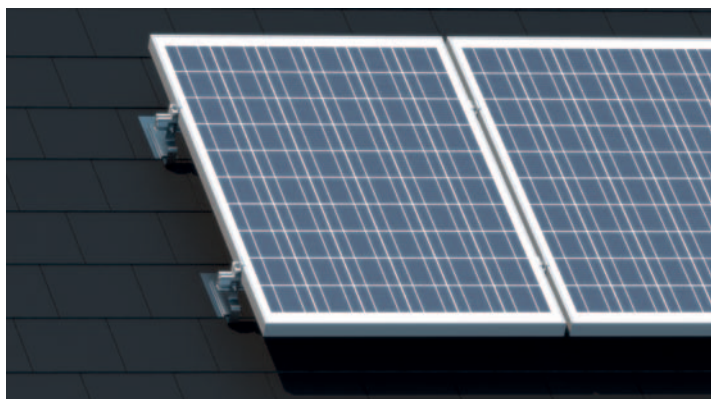


# SYSTEM REM-09 VERTICAL

## SLATE ROOF



### Art. 0109

**Mounting Rail**  
Measurements: 31x50  
Length: 6200mm, 3100mm, 2070mm  
Joining screws top: M8  
side: M8/M10/M12  
Material: AL 6060T6



### Art. 0142

**Slate Tile Roof Hook**  
Plate: 30x5, length: 250mm, long hole: 9x24mm  
high: 138mm (70mm + 68mm)  
thickness: 5mm  
use: SlateTile  
Material: A2 Stainless steel



### Art. 0129

**Hammerhead screws 28/15**  
Measurements: M8 16 +70  
M10 16+100  
Use: Mounting Rail Art. 0110  
Material: A2 1.4301 stainless steel



### Art. 0134

**Hexagon flange nuts with serration DIN 6923**  
M6  
M8  
M10  
M12  
Material: 1.4301 A2



### Art. 0132

**Hexagon socket cap screws DIN 912 with serration**  
M8 12+60  
Material: A2 1.4301 stainless steel



### Art. 080

**T-slot nuts, self aligning with spring ball M8**  
Used with hexagon socket cap screw Art. 0132  
Use: for Mounting Rails Art. 0109, Art. 0110, Art. 062, Art. 0111, Art. 0112  
Material: AL 6060T6



### Art. 0147

**Click**  
M8  
Material: Aluminium  
for rails: Art. 0109, Art. 0111



### Art. 073

**Middle Clamp**  
Length: 50mm (standard)  
Length: 60mm - 100mm  
Height: 30mm  
Thickness: 3mm  
Colors: plain aluminium/black  
Material: AL 6060T6



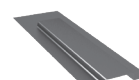
### Art. 075

**End clamp**  
Length: 50 (standard)  
Length: 70mm  
Height: from 30mm to 50mm  
Thickness: 3mm  
Colors: plain aluminium/black  
Material: AL 6060T6



### Art. 0127

**Screw TCS with serration**  
M6 60+160  
M8 60+400  
Use: Roof Hook  
Material: A2 1.4301 stainless steel

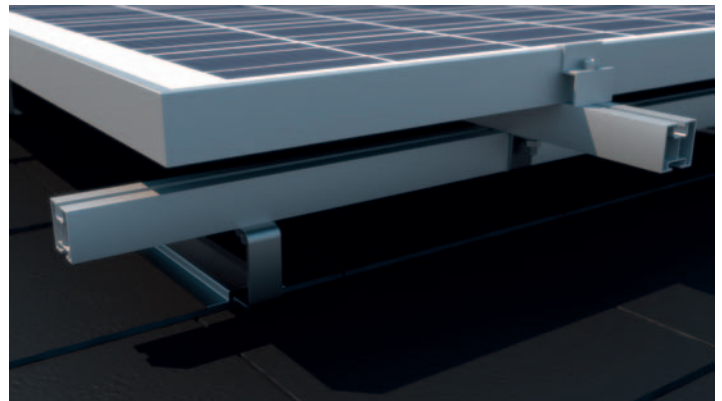
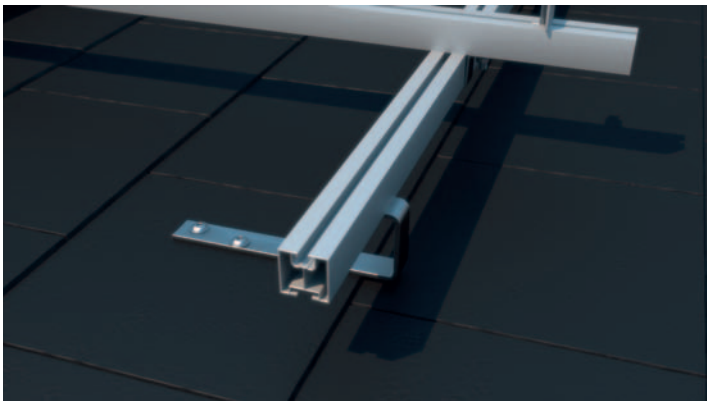
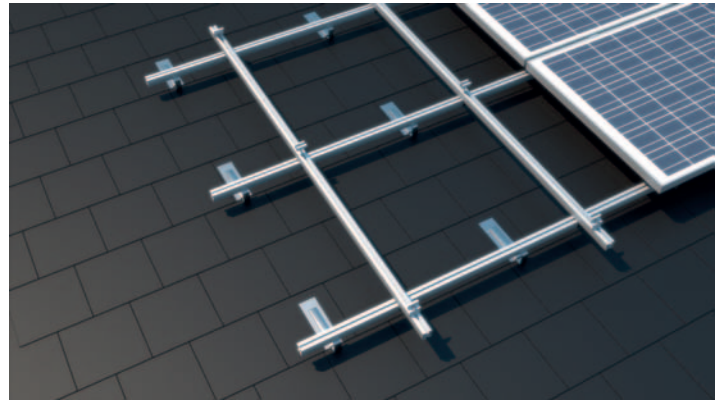
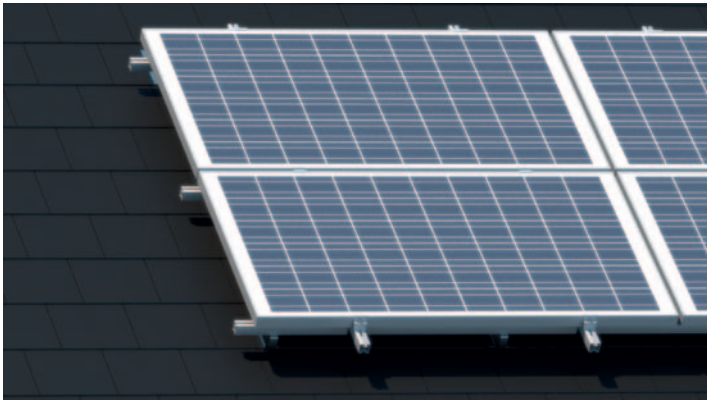


### Art. 0144

**Cover Slate Holder**  
long: 250mm  
thickness: 1 mm  
use: Cover for Slate Roof Hook  
Material: A2 Stainless steel

# SYSTEM REM-09 HORIZONTAL

## SLATE ROOF



**Art. 0111**  
**Mounting Rail 40 type I**  
 Measurements: 40x40  
 Length: 6200mm, 3100mm, 2070mm  
 Joining screws: top M8, bottom M10  
 Material: AL6060T6



**Art. 015**  
**Slate Tile Roof Hook**  
 Plate: 30x5, Length 235mm  
 (2x)Hole: Ø9mm, Long Hole: 11x29  
 Thickness 5mm  
 Use: Slate Tile  
 Material: A2 1.4301 stainless steel



**Art. 0129**  
**Hammerhead screws 28/15**  
 Measurements:  
 M8 16 +70  
 M10 16+100  
 Use: Mounting Rail Art. 0110  
 Material: A2 1.4301 stainless steel



**Art. 0134**  
**Hexagon flange nuts with serration**  
 DIN 6923  
 M6  
 M8  
 M10  
 M12  
 Material: 1.4301 A2



**Art. 0132**  
**Hexagon socket cap screws DIN 912**  
 with serration  
 M8 12+60  
 Material: A2 1.4301 stainless steel



**Art. 080**  
**T-slot nuts, self aligning with spring ball**  
 M8  
 Used with hexagon socket cap screw  
 Art. 0132  
 Use: for Mounting Rails Art. 0109, Art. 0110, Art. 062, Art. 0111, Art. 0112  
 Material: AL 6060T6



**Art. 0147**  
**Click**  
 M8  
 Material: Aluminium  
 for rails: Art. 0109, Art. 0111



**Art. 073**  
**Middle Clamp**  
 Length 50mm (standard)  
 Length 60mm - 100mm  
 Height 30mm  
 Thickness 3mm  
 Colors: plain aluminium/black  
 Material: AL 6060T6



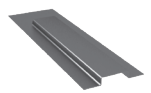
**Art. 075**  
**End clamp**  
 Length: 50 (standard)  
 Length: 70mm  
 Height: from 30mm to 50mm  
 Thickness 3mm  
 Colors: plain aluminium/black  
 Material: AL 6060T6



**Art. 0127**  
**Screw TCS with serration**  
 M6 60+160  
 M8 60+400  
 Use: Roof Hook  
 Material: A2 1.4301 stainless steel



**Art. 042**  
**Cross Rail Connector**  
 for mounting rails: Art. 0111, Art.062  
 (x1) M10  
 Use: Cross Mounting two Rails  
 Material: A2 1.4301 stainless steel



**Art. 0144**  
**Cover Slate Holder**  
 long: 250mm  
 thickness: 1 mm  
 use: Cover for Slate Roof Hook  
 Material: A2 Stainless steel