

INFINITY MODULE

310W-335W

60 CELL

MONOCRYSTALLINE MODULE

310W-335W

POWER OUTPUT RANGE

20.1%

MAXIMUM EFFICIENCY

0~+5W

POSITIVE POWER TOLERANCE

Apply to



home roof



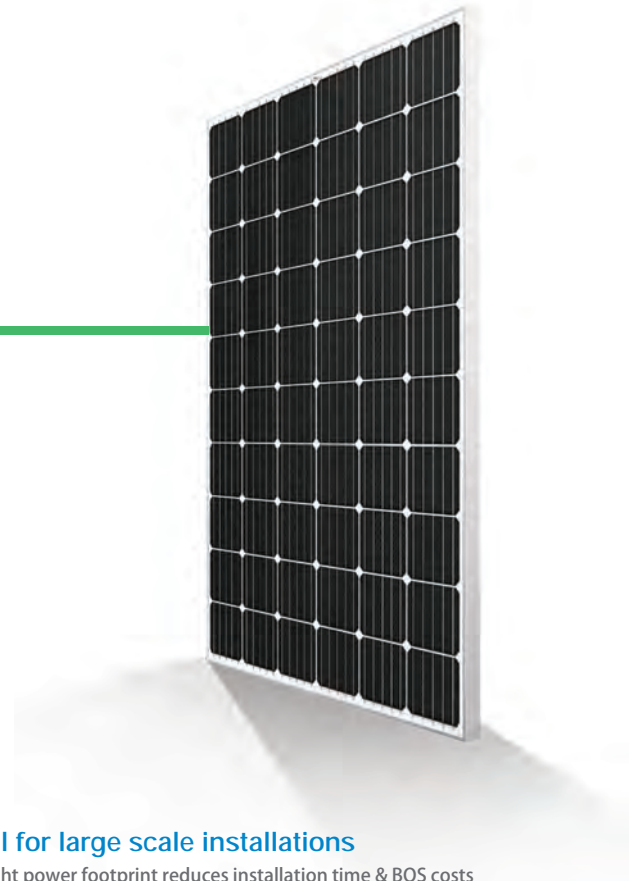
ground Power Station



Industrial and Commercial Roofs



E:info@inesolar.com
W:www.inesolar.com



Ideal for large scale installations

- High power footprint reduces installation time & BOS costs



One of the industry's most trusted modules

- Field proven performance
- Infinity NewEnergy's financial solidity consistently confirmed by banks and investors



Highly reliable due to stringent quality control

- Over 30 in-house tests(UV,HF,and many more)
- In-house testing goes well beyond certification requirements
- PID resistant

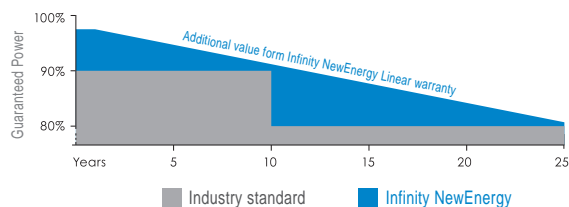


Certified to withstand challenging environmental conditions

- 2400 Pa wind load
- 5400 Pa snow load

LINEAR PERFORMANCE WARRANTY

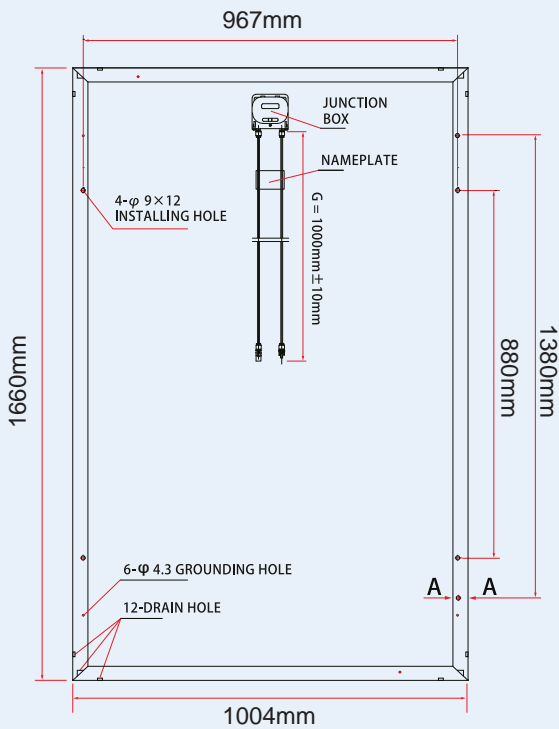
10 Year Product Warranty-25 Year Linear Power Warranty



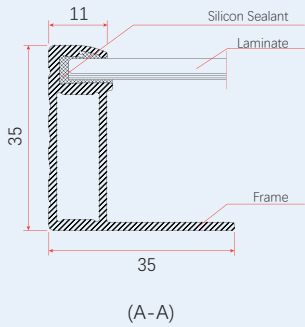
CERTIFICATION



DIMENSIONS OF PV MODULE INE-6MB

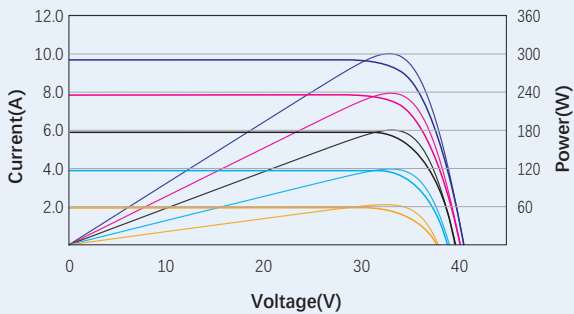


Back View



(A-A)

Current-Voltage & Power-Voltage Curves(320W)



MECHANICAL DATA

Solar cells	Monocrystalline 158.75 x 158.75 mm
Cell orientation	60 cells (6 x 10)
Module dimensions	1660 x 1004 x 35mm
Weight	18.4kg
Glass	High Transparency, Anti-Reflective, A R Coated and Heat Tempered Solar Glass -3.2mm
Backsheet	White
Frame	Silver Anodized Aluminium Alloy (Black Available)
J-Box	IP 68 rated
Cables	Photovoltaic Technology cable 4.0 mm ² , 1000mm(Customized Available)
Connector	MC4 Compatible

ELECTRICAL DATA@STC

	310	315	320	325	330	330
STC: Irradiance 1000 W/m ² , Cell Temperature 25°C, Air Mass AM1.5 according to EN 60904-3. Average efficiency reduction of 4.5% at 200 W/m ² according to EN 60904-1.						
Open Circuit Voltage-V _{oc} (V)	40.7	41.1	41.5	41.9	42.2	42.6
Short Circuit Current-I _{sc} (A)	9.85	9.89	9.93	9.97	10.01	10.05
Maximum Power Voltage-V _{MPP} (V)	33.1	33.4	33.7	34.0	34.3	34.6
Maximum Power Current-I _{MPP} (A)	9.30	9.37	9.43	9.50	9.56	9.63
Module Efficiency (%)	18.6	18.9	19.2	19.5	19.8	20.1

ELECTRICAL DATA@NOCT

	NOCT: Irradiance at 800 W/m ² , Ambient Temperature 20°C, Wind Speed 1 m/s					
Maximum Power-P _{MAX} (Wp)	230	233	237	241	245	248
Maximum Power Voltage-V _{MPP} (V)	30.6	30.8	31.1	31.4	31.7	31.9
Maximum Power Current-I _{MPP} (A)	7.51	7.56	7.62	7.67	7.72	7.77
Open Circuit Voltage-V _{oc} (V)	38.0	38.4	38.7	39.1	39.4	39.8
Short Circuit Current-I _{sc} (A)	7.94	7.97	8.00	8.04	8.07	8.10

TEMPERATURE RATINGS

Nominal Operating Cell Temperature (NOCT)	44°C (±2°C)	Temperature Coefficient of Voc	-0.34%/°C
Temperature Coefficient of P _{MAX}	-0.42%/°C	Temperature Coefficient of I _{sc}	0.047%/°C

MAXIMUM RATINGS

Operational Temperature	-40 to +85°C	Max Series Fuse Rating	15A
Maximum System Voltage	1500V DC (IEC)		

WARRANTY

10 year workmanship warranty
25 year linear performance warranty
(Please refer to product warranty for details)

DEALER INFORMATION

