

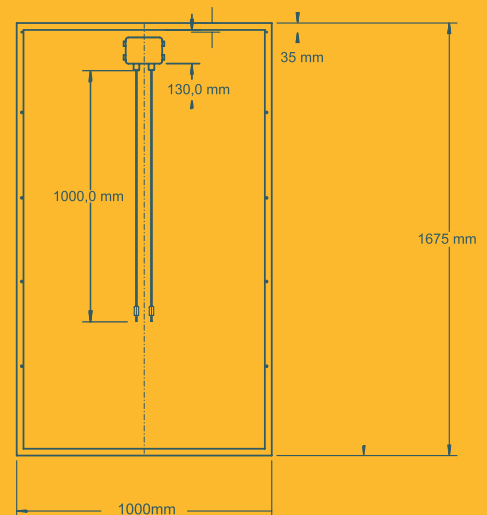
JSM 60 Cells Series

JM SERIES OF MONOCRYSTALLINE SOLAR MODULES

Proven Quality Made in Kosovo

Most advanced know-how combined with precision, innovation and solid workman-ship these are the characteristics of the Jaha Solar, headquartered in Prishtina (Kosovo). Jaha Solar has established itself as a leading supplier of high performance solar modules. Manufacturing facilities and strict quality management across the entire process chain are key to the high level quality of our modules.

Our customers benefit from 100% assurance and reliability in all areas and on all aspects of our solar modules.



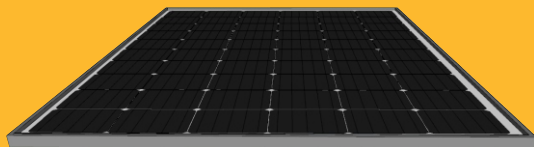
The Highlights

- 12-year product guarantee;
- 100% PID free;
- Proven German Quality of products;
- German and Italian Manufacturing facilities;
- Aluminium frame - 35 m, snow load class III;
- Maximum yield and high annual output;
- 12 - years product guarantee;
- 25 - year 80% power guarantee;
- Product made in Europe;

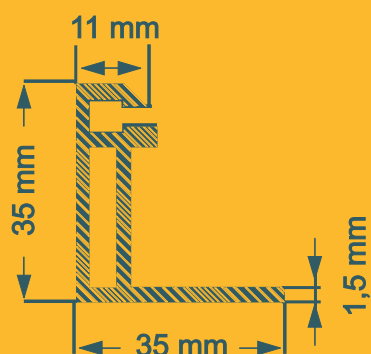
Manufactured and tested according to IEC 61215 and 61730 TUV-Nord certified

Basic Data

- Dimensions: (L) x (B) x (T);
- Weight: 17,5 kg;
- Number of cells: 60 Cells;
- Size: 158.75 mm x 158.75 mm;
- Cell material: Monocrystalline Si;
- Front cover: Solar glass;
- Backside film: polymer;
- Frame material: aluminum;
- Cable length: 1000 mm;
- Connector type: MC4 compatible;
- Bypass diodes: 3;
- IP 65;



Backsheet: white
Frame: silver



**Accuracy of other
el. data 10%**

Electric Data(STC*)	JSM 300W	JSM 310W	JSM 320W	JSM 330W
Rated output P_{mpp}	300 W	310 W	320 W	330 W
Rated current I_{mp}	9.15 A	9.299 A	9.46 A	9.58 A
Rated voltage U_{mp}	32.78 V	33.42 V	34.26 V	34.68 V
Short circuit current I_{sc}	9.67 A	9.89 A	10.03 A	10.092 A
Open circuit voltage U_{oc}	39.27 V	39.66 V	40.38 V	40.68 V
Efficiency %	17.9 %	18.5 %	19.1 %	19.7 %
Tolerance	+4,99/0 W	+4,99/0 W	+4,99/0 W	+4,99/0 W
Maximum Voltage	1000 V	1000 V	1000 V	1000 V

Temperature coefficient	Unit	Value
αI_{sc}	[%/°C]	0.06
βV_{oc}	[%/°C]	-0.300
γP_{max}	[%/°C]	-0.390

Irradiance [W/m ²]	Open-Circuit Voltage [%]	Short-circuit current [%]	Maximum Power [%]
1000	100.0	100.0	100.0
800	99.10	80.08	80.24
600	97.84	60.00	59.99
400	96.22	40.00	39.68
200	93.32	19.98	19.30

Continuous research and development plays a major role in opening up new possibilities in the manufacturing of solar modules. At Jaha Solar, we consider it our job to be a pacemaker in this process. For this reason, the data and measurements given in this product data sheet can be subject to change at short notice. No legal claims may be derived from the contents of these product data sheets.

Jaha Solar assumes no liability for the usage of the information contained therein or for any consequences resulting there from.

*Under Standard Test Conditions (STC): 1000W/m², AM 1.5, Cell temp 25 °C

Address: **Sllatina e Madhe, Fushë Kosovë, Kosovë**

company/jahasolar jahaSolar jahasolar

www.jahasolar.com