

Positive sorting up to +5W

Poly ⚡ **335W**

20

years product guarantee

25

80% max output guarantee

Working conditions	
Maximum system voltage	DC 1000 V (TUV)
Operating temperature	-40°C / +85°C
Maximum reverse current	15 A
Maximum wind /snow load	1600/3600Pa**
IP protection level	67
Safety class	II

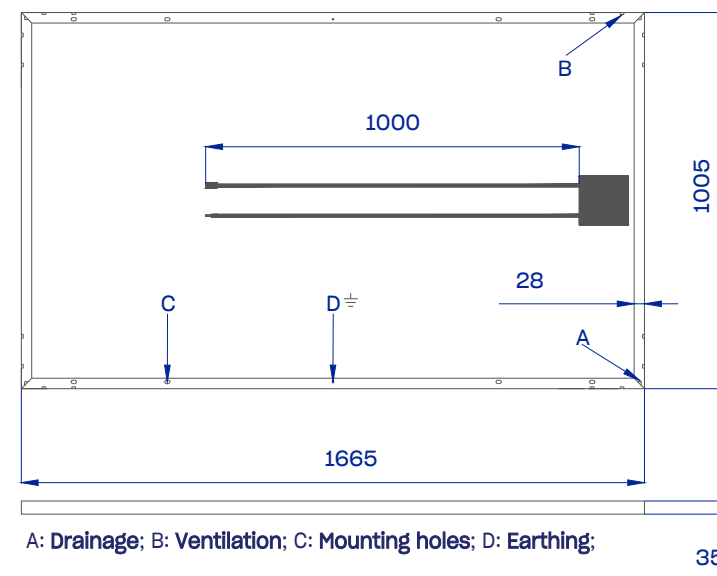
**Safety factor 1,5

Temperature coefficients	
Current temperature coefficient (α)	+0,060% /° C
Voltage temperature coefficient (β)	-0,34% /° C
Power temperature coefficient (δ)	-0,40% /° C
Nominal Operating Module Temperature	45±2°C

Electrical parameters			
Parameter		Unit	Value
Maximum power*	Pmax	W	335
Maximum power point voltage	Vmpp	V	33,68
Maximum power current	Impp	A	9,95
Open circuit voltage	Voc	V	41,89
Short circuit current	Isc	A	10,16
Efficiency	η	%	20,02

*Under Standart Test Conditions (STC) of irradiance of 1000W/ sq. m., spectrum AM 1.5 and cell temperature of 25 °C

Mechanical data	
Cell size	158,75x158,75
Number of cells	60 (6x10)
Front side glass	3,2 mm
Weight	18 kg
Dimensions (L x W x H)	1665x1005x35
J-box	IP67
Cable length	1 m
Cable cross section size	4 mm ²
Number of diodes	3
Plug-in connection	MC4 compatible
Frame	Black anodized aluminium frame
Packaging per pallet	30 modules
Packaging per truck	30 pallets



A: Drainage; B: Ventilation; C: Mounting holes; D: Earthing;



Certificates and memberships



Mokslininku str. 6A,
Vilnius 08412, Lithuania
Tel. +370 5 263 8774
info@solitek.eu
www.solitek.eu