

LSX Module System

The revolutionary frameless solar module system that has bridged the gap between architecture and energy production

FEATURES & BENEFITS

FRAMELESS MODULE

- PID free
- Ultra low profile

NO MODULE GROUNDING

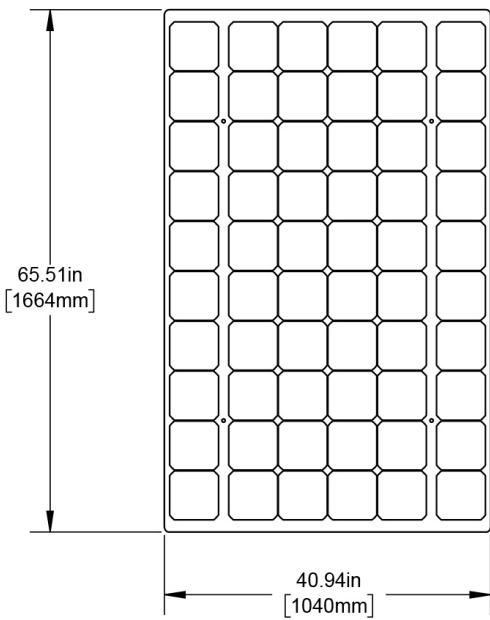
- No module grounding
- No continuous module equipment ground

INTEGRATED MOUNTING SYSTEM

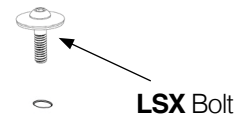
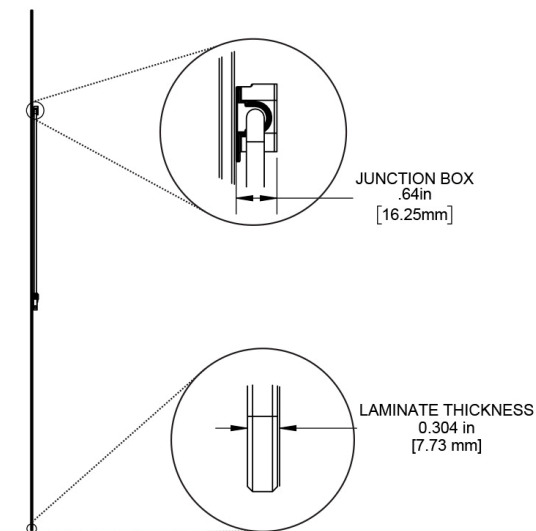
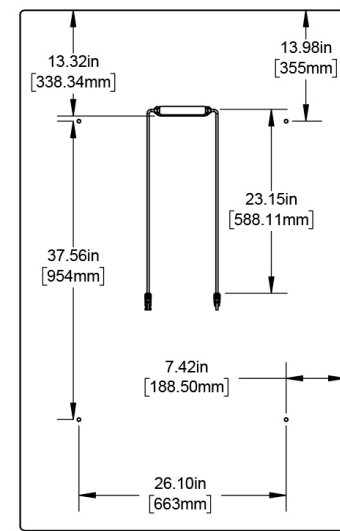
- Built in wireway
- Concealed junction box and conductors

PATENTED THROUGH-BOLT MOUNTING

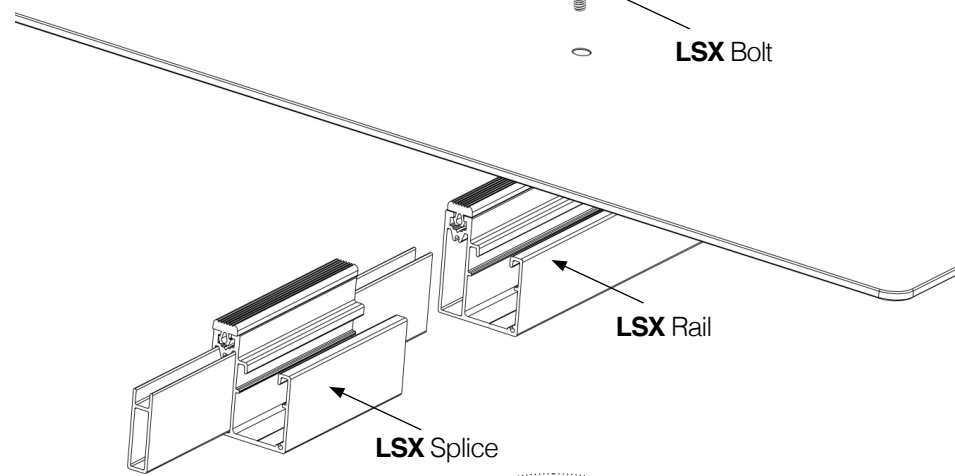
- Tamper resistant mounting
- Ease of weatherproofing



LSX Module

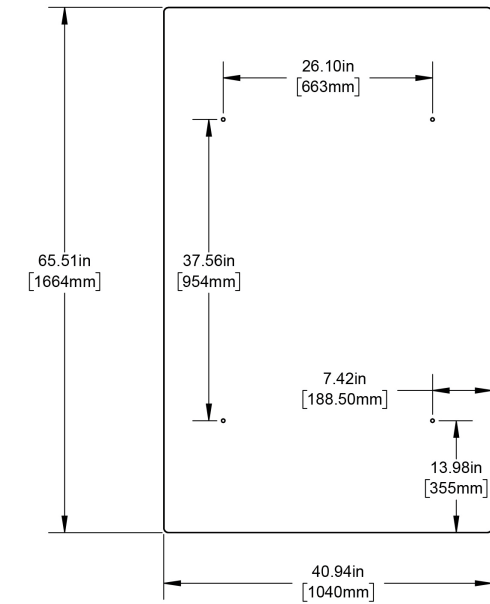


LSX Bolt



LSX Rail

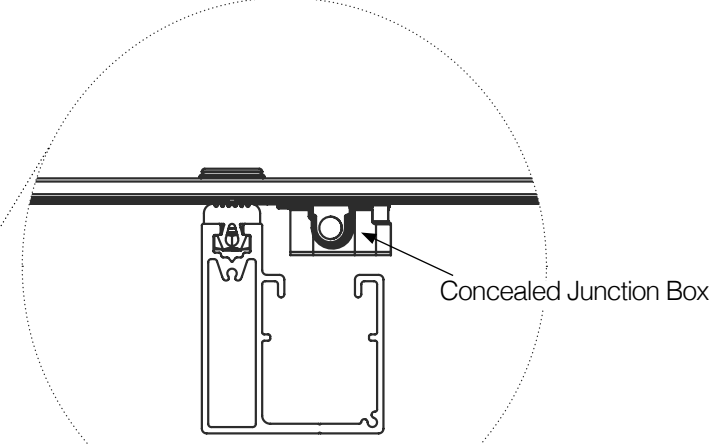
LSX Splice



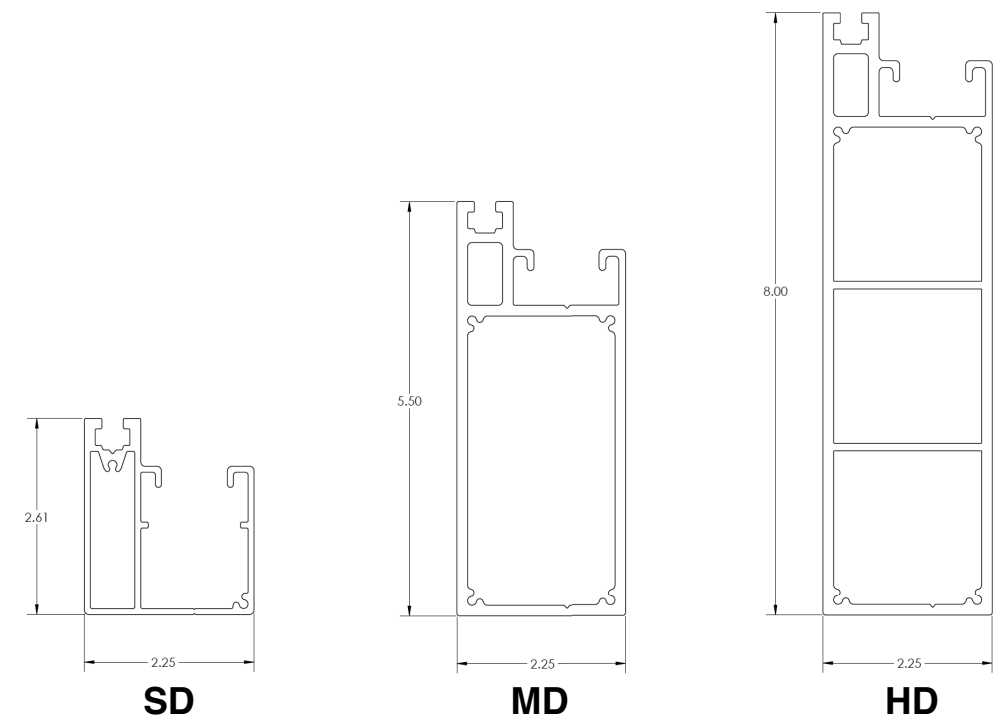
LSX Laminates

The LSX Laminates can be used as in-fill for areas that may be shaded or where solar cells are not necessary

LSX Module mounted to LSX Rail



Concealed Junction Box

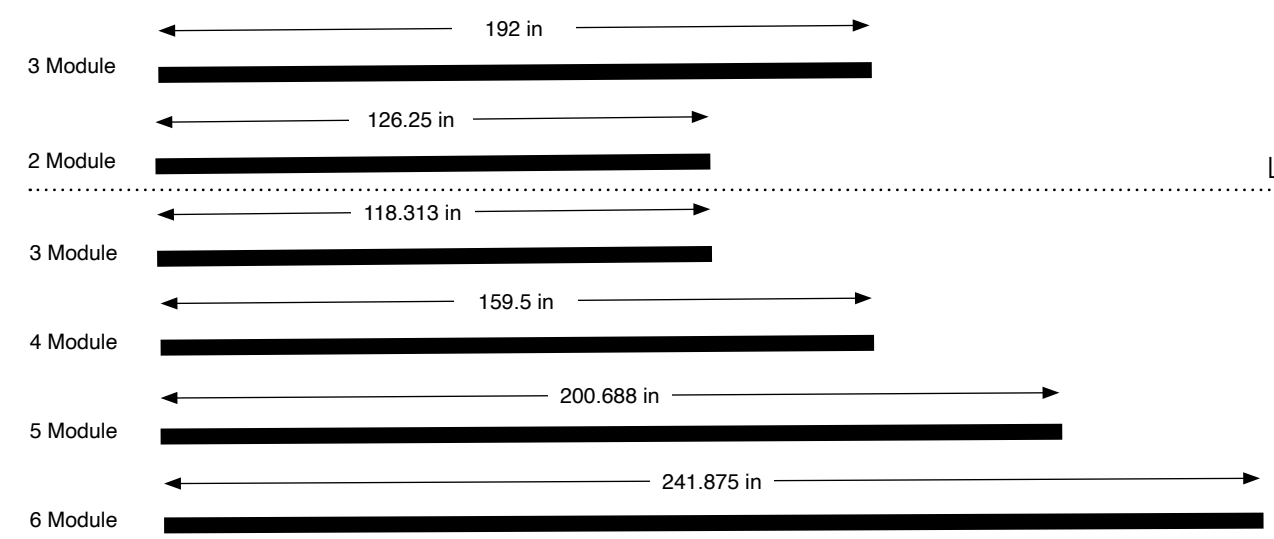


LSX RAIL SPAN OPTIONS*

	Wind Speed (mph)	Snow Load (psf)	SD Max Span (ft)	MD Max Span (ft)	HD Max Span (ft)
Honolulu	110	0	9' 3"	20'	29'
Los Angeles	110	0	9' 3"	20'	28' 6"
Atlanta	115	5	8' 9"	18' 6"	26' 6"
Denver	110	20	7' 9"	16'	23'
Miami	180	0	7' 3"	15' 3"	22'
Boston	130	40	6'	12' 6"	18' 6"

*Assumes multiple span condition. Additional site factors outside the scope of this chart can increase or decrease the allowable span.

LSX RAIL MODULAR LENGTHS



LANDSCAPE
PORTRAIT


ELECTRICAL SPECIFICATIONS

Model	LSX290	LSX295	LSX300	LSX305	LSX Laminate
Rated Power @ STC	290 W	295 W	300 W	305 W	0
Peak Power Voltage (Vmp)	32 V	32.24 V	32.48 V	32.73 V	0
Maximum Power Current (Imp)	9.06 A	9.15 A	9.24 A	9.32 A	0
Open Circuit Voltage (Voc)	39.77 V	40.11 V	40.45 V	40.79 V	0
Short Circuit Current (Isc)	9.62 A	9.77 A	9.91 A	10.06 A	0
Module Efficiency	16.76%	17.05%	17.34%	17.62%	0
Operating Temperature	-40 °C to 85 °C				0
Maximum System Voltage	1000 V				0
Maximum Series Fuse Rating	15 A				0
Power Tolerance	-0/+3%				0

TEMPERATURE COEFFICIENTS

Nominal Operating Cell Temperature (NOCT)	43.6 °C
Power Temperature Coefficient (Pmpp)	-0.453 % / °C
Voltage Temperature Coefficient (Voc)	-0.337 % / °C
Current Temperature Coefficient (Isc)	0.054 % / °C

MECHANICAL SPECIFICATIONS

Solar Cell	Monocrystalline 6" x 6" (156 mm x 156 mm)		
Number of Cells	60 (6 x 10)		
Module Dimensions	65.5" x 41.0" x 1.1" (1664 mm x 1040 mm x 27 mm)		
Module Area	18.65 ft ² (1.73 m ²)		
Module Weight	62.6 lb (28.4 kg)		
Module Weight / Area	3.36 lbs/ft ² (16.42 kg/m ²)		
System Weight / Area	Rail	Portrait	Landscape
	SD	3.72 lbs/ft ²	3.98 lbs/ft ²
	MD	4.12 lbs/ft ²	4.72 lbs/ft ²
	HD	4.8 lbs/ft ²	5.74 lbs/ft ²
Front Glass	0.24" (6 mm) FT Low-Iron PV Glass		
Backsheet	Clear		
Light Transmittance	Portrait = 12% Landscape = 10%		
Output Cables	12 Awg. PV Wire and MC4 Compatible Connectors		
Static Load	Two Rail: -70/+170 PSF Three Rail: -185/+185 PSF		
Hail	Class 4 Hail Rating Max. Diameter 2" (51 mm) at 72 mph (32 m/s)		
Fire Rating	Class A		
Certifications	 UL 1703 UL 2703		
Warranty	10 years Workmanship 30 years Linear Power Production		

