

OLV-(265~290)-60P

992*1640mm

Silver border / White back panel

- 12 years power output not less than 91.4%
- 25 years power output not less than 84%
- 12 years product material process warranty
- 48 hours quick response service
- Low light conditions (cloudy and early morning evening)
- Excellent performance

Module features

5bb photovoltaic cells

More uniform current collection capacity, more power generation

Load capacity

Bearing snow load of up to 5400pa and wind load of 2400pa and Hail test with diameter of 25 mm and impact speed of 23 m / S

2 El checks

2 EL inspections per cell/module for defect-free consistency

Low light performance

Excellent performance in low light environment through the use of excellent glass and battery chip surface velvet Technology

Severe environmental adaptability

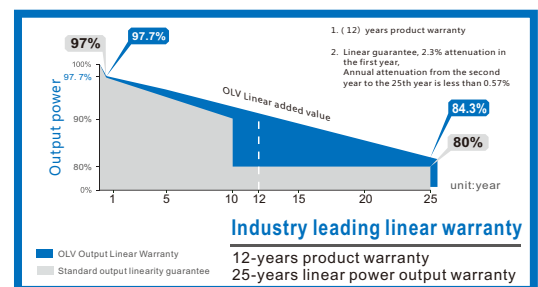
High salt and ammonia resistance test certified by TUV SUD

Power measurement guarantee

0 ~ + 4.99w guaranteed positive tolerance

12 years product warranty

25 years linear power output warranty



IEC 61215, IEC 61730 IEC TS 62941 (Quality System)



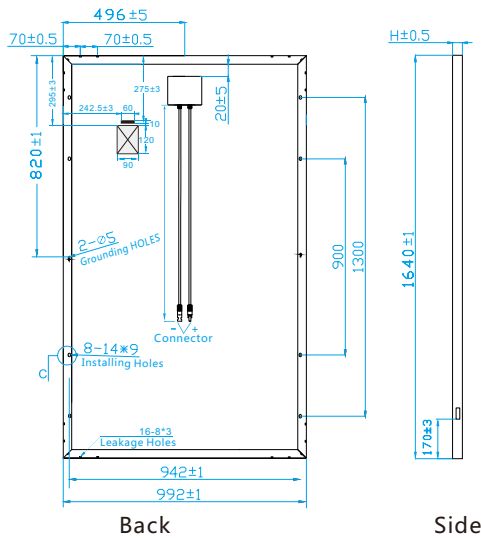
Chuangye Road No. 188, New material industrial Area.

Tongyuan, Haiyan, Jiaxing, Zhejiang Province, China

www. olivesolar.net oliver@olivesolar.net



Engineering Drawings



Mechanical characteristics

Cell Type	Poly-Si 157*157mm ,
No. of cells	60 (6 x 10) pieces in series
Dimension	992*1640*35mm
Weight	18.0Kg
Glass	High transparency, low iron, AR coated tempered glass 3.2 mm
Frame	Anodized aluminum alloy
Junction Box	IP68 rated
Output Cables	4 mm ² (EU)/12 AWG (US), 1100mm Cable length

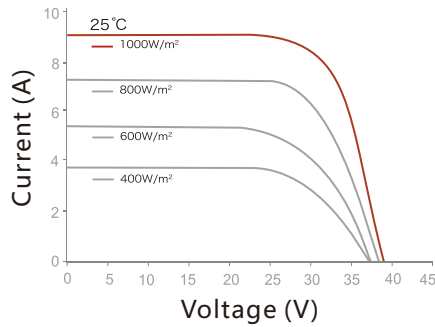
Note: frame / back panel color & cable length can be customized as required

Packaging Configuration

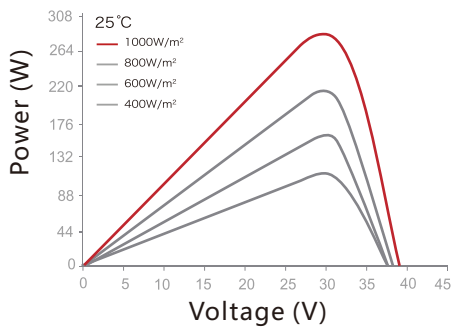
Packaging Configuration	31 pcs/pallet	(Two pallets = One stack)
		62 pcs/stack
		868 pcs/40'HQ Container

I-V Curve

I-V Curves at Different Irradiances
OLV-275-60P



Power curve under different irradiance
OLV-275-60P



Electrical Performance (STC)

Model Number	265	270	275	280	285	290
Maximum Power (Pmax/W)	265	270	275	280	285	290
Open Circuit Voltage (Voc/V)	37.92	37.98	38.09	38.27	38.61	38.95
Short Circuit Current (Isc/A)	8.92	8.97	9.01	9.09	9.17	9.25
Voltage at Maximum Power (Vmp/V)	31.81	31.92	32.05	32.34	32.42	32.55
Current at Maximum Power (Imp/A)	8.34	8.46	8.59	8.66	8.79	8.91
Module Efficiency(%)	16.3%	16.6%	16.9%	17.2%	17.5%	17.8%

Electrical Performance (NOTC)

Model Number	265	270	275	280	285	290
Maximum Power (Pmax/W)	192	196	200	204	209	213
Open Circuit Voltage (Voc/V)	34.94	35.00	35.06	35.18	35.52	35.86
Short Circuit Current (Isc/A)	7.25	7.30	7.34	7.42	7.50	7.57
Voltage at Maximum Power (Vmp/V)	28.83	28.94	29.02	29.31	29.39	29.46
Current at Maximum Power (Imp/A)	6.66	6.78	6.90	6.97	7.10	7.22

Working parameters

Operational Temperature	-40°C ~ +85°C
Maximum System Voltage	1000/1500V DC
Maximum Series Fuse Rating	15A
Power Output Tolerance	0 ~ +4.99W
Nominal Operating Cell Temperature (NOTC)	47 ± 2°C

Temperature Ratings (STC)

Temperature Coefficient of Pmax	-0.42%/°C
Temperature Coefficient of Voc	-0.32%/°C
Temperature Coefficient of Isc	+0.059%/°C

Mechanical Loading

Front Side Maximum Static Loading	5400Pa
Rear Side Maximum Static Loading	2400Pa
Hailstone Test	25mm Hailstone at the speed of 23m/s

Note: the electrical performance parameters in the product catalog do not refer to a single component, nor are they the contents promised in the contract. Electrical parameters are only used for comparison between different component types. Oliver does not guarantee their accuracy.

Due to continuous updating, R & D and product improvement, Oliver reserves the right to adjust the information in this technical parameter document at any time without prior notice.

STC (Standard test environment): AM1.5, Irradiance 1000W/m², 25°C

NOCT (Nominal operating temperature of cell): AM1.5, Irradiance 800W/m², Ambient 20°C, Wind 1m/s