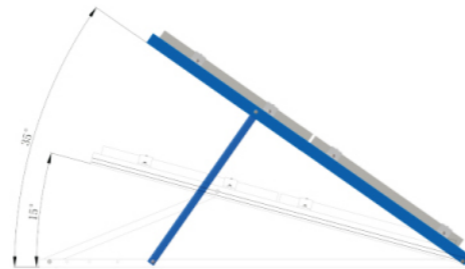
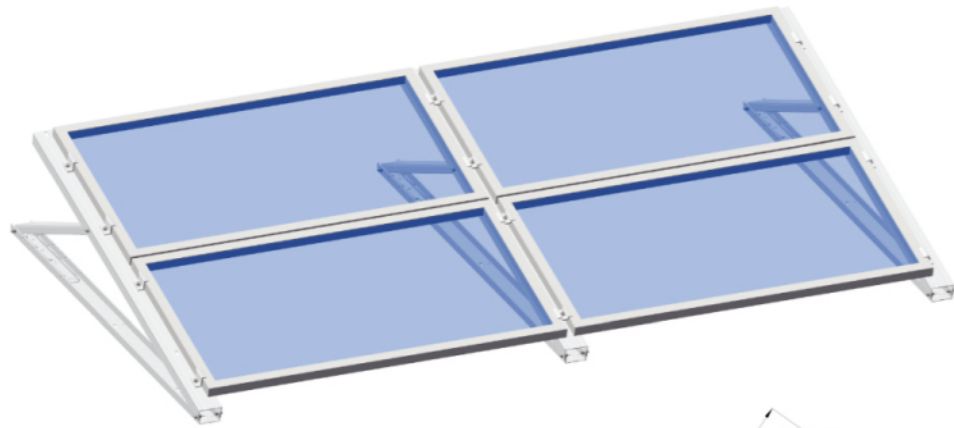


• **Design Features**

- ① Pre-assembled triangle kit can save a lot installation time..
- ② Degree marked on the base profile which could be adjusted as 15, 20, 25, 30, 35 degree .
- ③ Suitable for landscape panel installation.

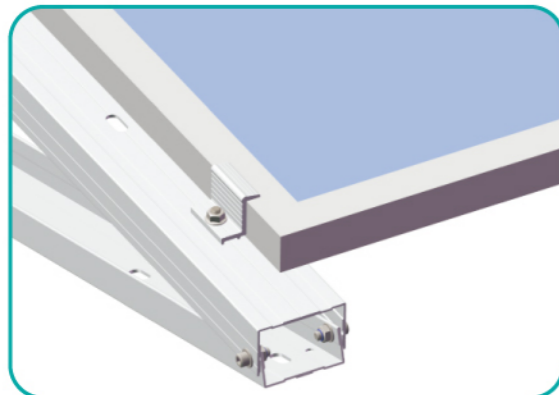


• **Surface treatment:**

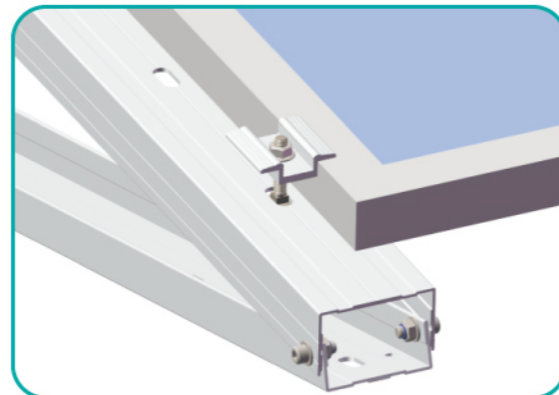
10µm thk. Anodized aluminum, stainless steel 304 bolts and nuts.

• **Design Strength:**

Designed according to your request.



end clamp



middle clamp

• **Components**



AS-STMC02

mid clamp
0.073kg/pcs
40/50mm width
Material: aluminum 6005-T5
Carriage bolt M8*50
Application: C profile triangle kit



AS-STEC02

end clamp
0.061kg/pcs
40/50mm width
Material: aluminum 6005-T5
Carriage bolt M8*25
Application: C profile triangle kit

• **Pre-assembled structure**



Angle:15°



Angle:35°

