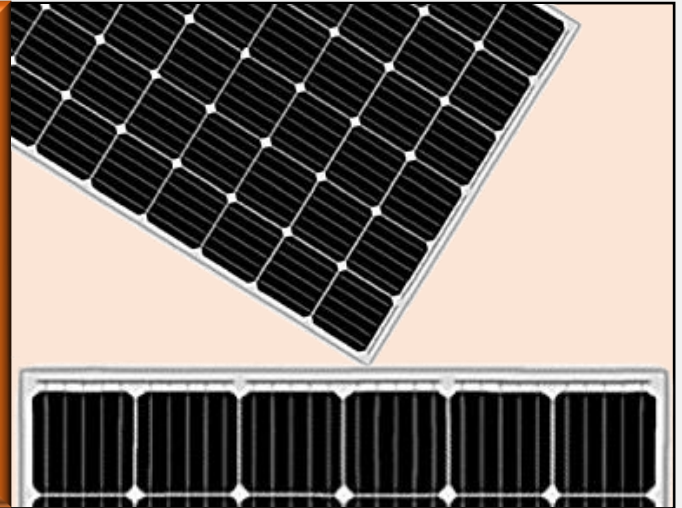


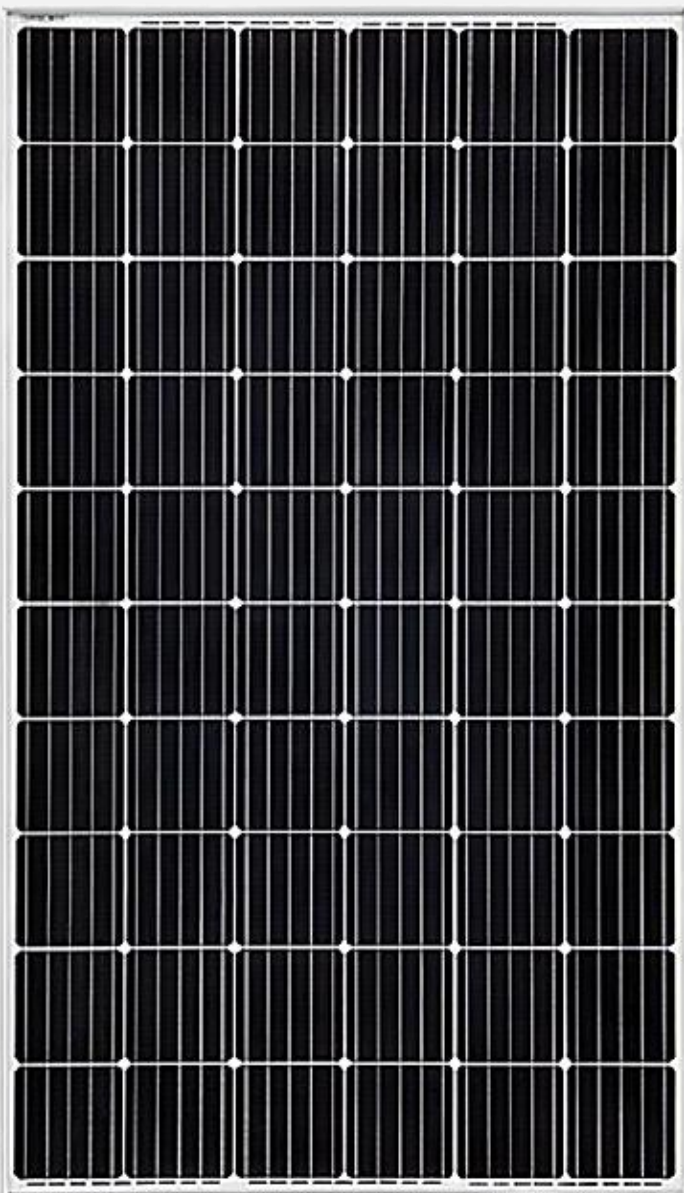
# SW60M

320W/325W/330W

Monocrystalline Module



## General Features:



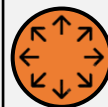
### IP68 junction box, connector

IP68 junction box and connector have a high degree of waterproof, effectively resist the harsh environment.



### 15A current

The junction box carries a current of 15A, ensuring high current flow through the modules.



### Strong mechanical load capacity

Passed the 2400pa wind load and 5400pa snow load test, ensuring that the module has a stable mechanical life.



### 10 Years Manufacturer's Warranty

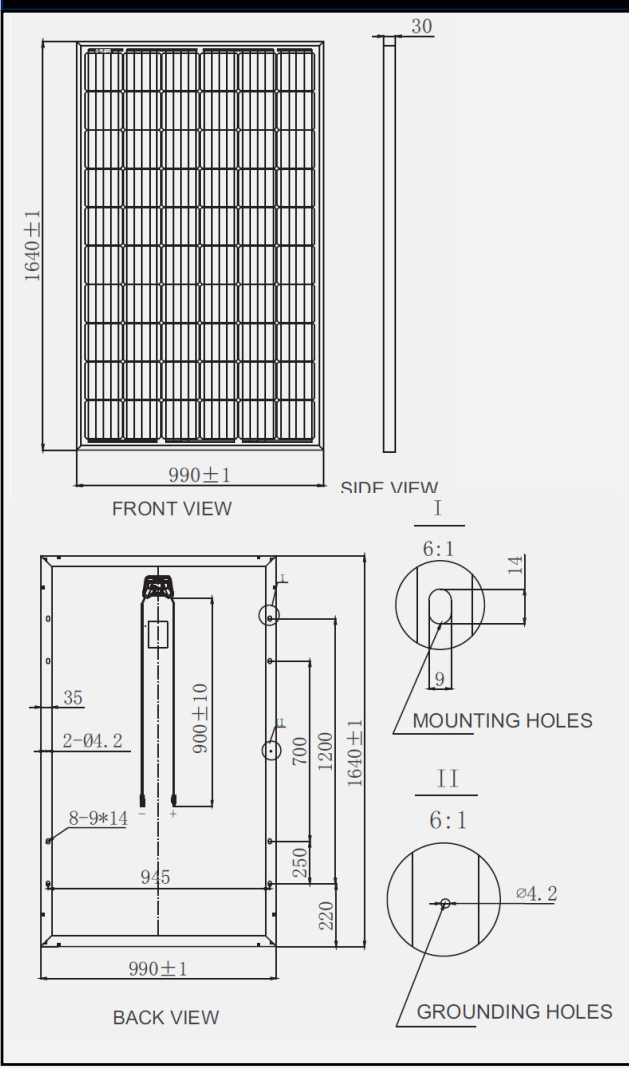


### Positive Power tolerance is guaranteed (0 to 5 Wp)



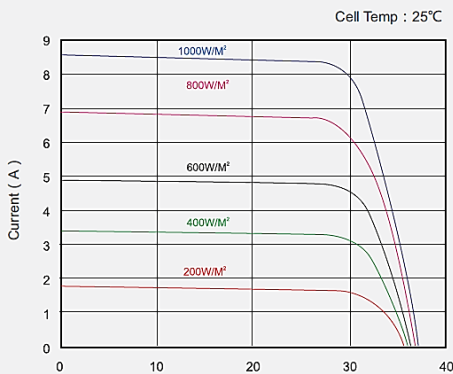
### Excellent Low Light Performance

### MECHANICAL DRAWINGS

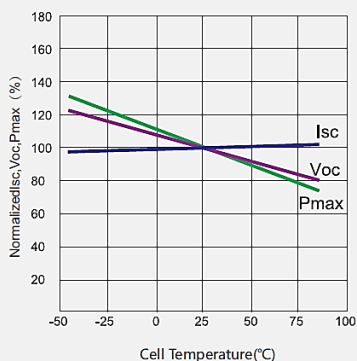


### MECHANICAL DRAWINGS

I-V Curves at SUN315-60M at different Irradiances



Power voltage current curve at different temperature



### MECHANICAL SPECIFICATION

Cell Type	Mono Crystalline 156.75x156.75mm
Number Of Cells	60 (6x10)
Dimensions(AxBxC)	1640x990x30mm
Weights	18.5kg
Front Glass	3.2mm Tempered Low Iron Glass
Frame	Clear Anodized Aluminum Alloy
Junction Box	IP68,with Bypass Diodes
Connector	Mc4 Compatible
Output Cables	Tuv ± length 900mm,4.0mm <sup>2</sup>

### ELECTRICAL CHARACTERISTICS

	290W	295W	300W	305W	310W	315W	320W
Maximum Power At STC (Pmax)	290W	295W	300W	305W	310W	315W	320W
Short Circuit Current (Isc)	9.58A	9.72A	9.78A	9.89A	9.96A	10.05A	10.14A
Open Circuit Voltage (Voc)	39.2V	39.6V	39.8V	40.1V	40.3V	40.6V	41.0V
Maximum Power Current (Imp)	8.95A	9.08A	9.17A	9.30A	9.40A	9.49A	9.58A
Maximum Power Voltage (Vmpp)	32.4V	32.5V	32.7V	32.8V	33.0V	33.2V	33.4V
Module Efficiency	17.86%	18.17%	18.48%	18.79%	19.09%	19.40%	19.09%
Power Tolerance	0~+3%	0~+3%	0~+3%	0~+3%	0~+3%	0~+3%	0~+3%

### NOCT

Maximum Power At STC (Pmax)	216.2	219.9	223.6	227.4	231.1	234.8	238.5
Short Circuit Current (Isc)	7.76	7.87	7.92	8.01	8.06	8.14	8.21
Open Circuit Voltage (Voc)	36.2	36.6	36.8	37.1	37.3	37.5	37.9
Maximum Power Current (Imp)	7.35	7.46	7.51	7.59	7.64	7.71	7.78
Maximum Power Voltage (Vmpp)	29.4	29.5	29.8	30.0	30.2	30.4	30.7

### SYSTEM INTEGRATION PARAMETERS

Maximum System Voltage	VDC1000V
Maximum Series Fuse	15A
Increased Snowload Acc.to Iec 61215	5400Pa
Operating Temperature	-40~+85C
Number Of Bypass Diodes	3

### TEMPERATURE CHARACTERISTICS

Normal Operating Cell Temperature (Noct)	45°C ± 2°C
Temperature Coefficient Of Pmax	-0.40%/°C
Temperature Coefficient Of Voc	-0.29%/°C
Temperature Coefficient Of Isc	0.05%/°C

### PACKING CONFIGURATION

Container	20` GP	40` GP /40` HQ
Pieces Per Pallet	35	35/35
Pallets Per Container	14	28/28
Pieces Per Container	468	980/1050

