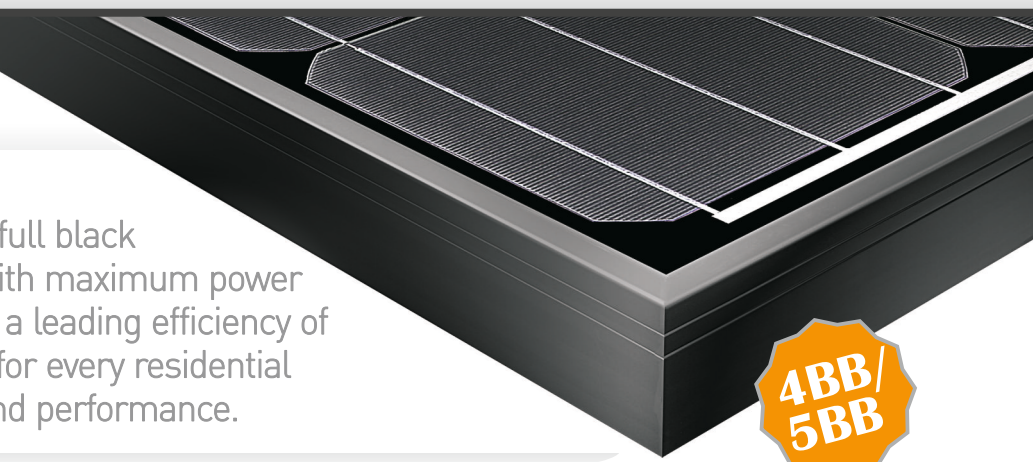


MONOCRYSTALLINE 290 - 305Wp

CERTUS HIGH EFFICIENCY

Powerfully elegant

The new really powerful AVENTIA Certus High Efficiency full black monocrystalline module solar with maximum power up to 305Wp in only 60 cells and a leading efficiency of up to 18.63% is the ideal choice for every residential project focusing on aesthetics and performance.



Module Efficiency	Positive Power Tolerance	Linear Power Output Warranty	Product Quality Warranty
18.63%	0/+5W	25 Years	15 Years

Snow Load Parameters	Wind Load Parameters	Rated Junction Box	For Maximum Performance
5400 Pa	2400 Pa	IP 67	PID FREE

Electrical Characteristics

MODULE TYPE	AVN290MMB-60	AVN295MMB-60	AVN300MMB-60	AVN305MMB-60
Open-Circuit Voltage (Voc)	39.70 V	40.00 V	40.20 V	40.60 V
Optimum Operating Voltage (Vmp)	32.20 V	32.50 V	32.90 V	33.30 V
Short-Circuit Current (Isc)	9.58 A	9.62 A	9.67 A	9.73 A
Optimum Operating Current (Imp)	9.03 A	9.07 A	9.12 A	9.16 A
Maximum Power at STC (Pmax)	290 W	295 W	300 W	305 W
Module Efficiency	17.72 %	18.02 %	18.33 %	18.63 %
Maximum Series Fuse Rating	15 A			
Operating Temperature	-40°C to +85°C			
Maximum System Voltage	1000 VDC			
Power Tolerance	0 to +5 W			

STC : Irradiance 1000 W/m². Module temperature 25 °C. AM=1.5

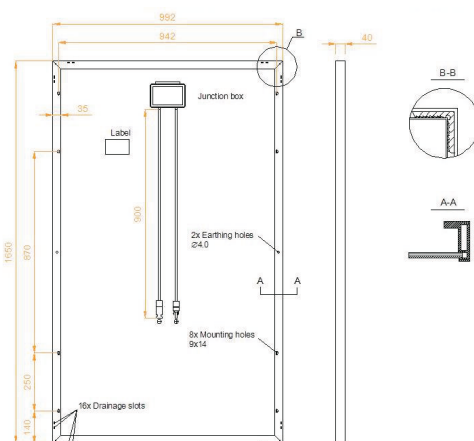
MECHANICAL CHARACTERISTICS

Type	Monocrystalline cell 156 x 156 mm
Cells Arrangement	6 x10 (60 pcs)
Module Dimensions	1650 x 992 x 40 mm
Weight	18.7 kg
Front Side	AR coated 3.2 mm Low Iron Tempered Glass
Frame	Anodized Aluminum Alloy
Junction Box	IP67 Rated, 3 by-pass diodes
Standard Packaging	26 pcs. 510kg per pallet
Module pieces per container	728 pcs in 40 ft HC - 28 pallets

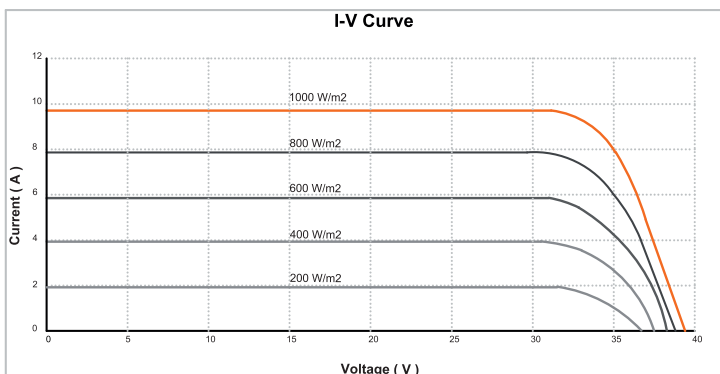
TEMPERATURE CHARACTERISTICS

Nominal Operating Cell Temperature (NOCT)	20°C ± 2°
Temperature Coefficient (Pmax)	-0.42 % / °K
Temperature Coefficient (Voc)	-0.33 % / °K
Temperature Coefficient (Isc)	0.05 % / °K

ENGINEERING DRAWING



AVN295MMB-60 ELECTRICAL PERFORMANCE



Design and specifications are subject to change.



AVENTIA
PV SOLUTIONS

info@aventiasolar.com | www.aventiasolar.com

Aventia Solar B.V.
Overschiestraat 184 1062 XK
Amsterdam, The Netherlands
Phone: + 31 20 80 86 197

Aventia Solar LTD
12 Monomatiou str.
136 77 Acharnes, Attica, Greece
Phone: + 30 211 01 25081