

# Poly Crystalline DCR PV Modules



**PIX PD2 66**  
**275-310 Wp**



Power Tolerance  
**+4.99Wp**



Efficiency upto  
**17.25%**



Module Warranty  
**10 Years**



Output Warranty  
**25 Years**

## KEY FEATURES



**Better performance** even at low irradiation.



Maximum System Voltage:  
**1500 V DC.**



Increased string length & low  
**BOS cost.**



Withstand upto **5400 Pa** of  
**snow load.**



Withstand upto **2400 Pa** of  
**wind load.**

**IDEAL FOR:** Utility Projects, Commercial & Industrial Projects, Residential Projects, Institutional Projects, Off-grid Projects

### PIXON GREEN ENERGY PRIVATE LIMITED

**Corporate Office:** 2<sup>nd</sup> Floor, Star Avenue, Nr. Moti Tanki Chowk, Gymkhana Road, Rajkot - 360001. Gujarat, India.

**Manufacturing Unit:** Rajkot - Jamnagar Highway, PO: Depaliya, TA: Padadhari, Rajkot - 360110. Gujarat, India.

## ABOUT PIXON

PIXON is a venture of the Marwadi Group. It is equipped with the state-of-the-art technology and turnkey machinery of 400 MW line capacity. As the world adheres to the solar energy revolution, PIXON envisions to globally provide efficient solar energy products & solutions. Thus, enhance and contribute to the Global Climate Sustainability.

## CERTIFICATIONS



**IEC (International Electrotechnical Commission)**

- IEC 61215-1:2016
- IEC 61215-2:2016
- IEC 61730-1:2016
- IEC 61730-2:2016
- IEC TS 62804-1
- IEC 61701 End.2:2011 Severity-6
- IEC 61853-1
- IEC 60904-1

**BIS: Bureau of Indian Standards**

- IS 14286:2010
- IS 61730-1:2004
- IS 61730-2:2004

**US Certification**

- UL 61215-1:2017
- UL 61215-2:2017
- UL 61730-1:2017
- UL 61730-2:2017

**ISO Certification**

- ISO 9001:2015
- ISO 14001:2015
- ISO 45001:2018 (OHSAS)

**CE Mark Testing & Certification**

CLASS II



**Solar is  
the new Green!**

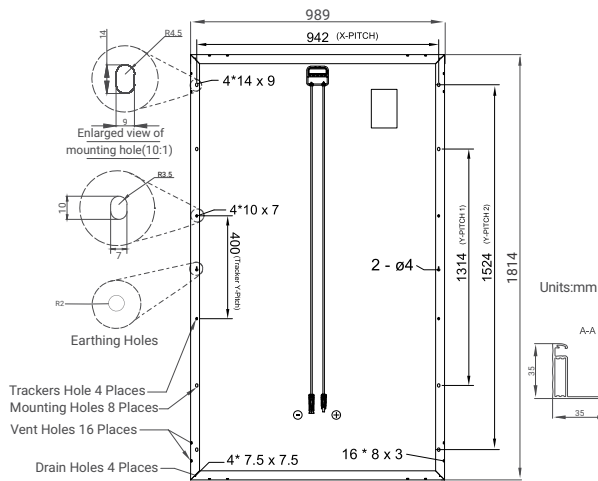
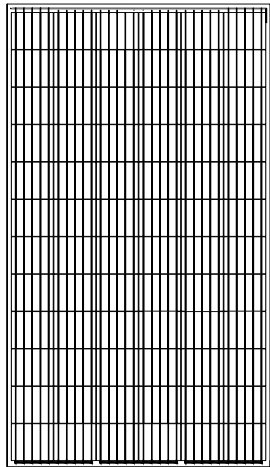
# TECHNICAL DATASHEET

**PIX PD2 66 275-310**

POLY CRYSTALLINE DCR PV MODULES



## MECHANICAL DIAGRAMS



## MECHANICAL DATA

Cells specifications (Number, Type, Size)	66 (6X11), 5BB Poly Crystalline DCR cells, 157 mm X 157 mm
Dimensions	1814mm X 989mm X 35mm
Weight	20 kg
Front glass	High transmission Low iron tempered glass, AR coated, 3.2 mm (T)
Embedding	Low shrinkage PID resistance EVA
Back sheet	PVDF
Junction box	IP67/IP68, 4-Rail
Number of diodes	3 Bypass diodes of 15A
Cables & Connectors	Cable length 1200mm, Ø 4mm <sup>2</sup> & MC-4 Connectors
Frame	Anodized Aluminum Silver Frame (Black available on request)

## ELECTRICAL DATA (ALL DATA REFERS TO STC (AM 1.5, 1000 W/m<sup>2</sup>, 25°C))

Parameter	Symbol	275	280	285	290	295	300	305	310
Peak Power	P <sub>max</sub> [Wp]	275	280	285	290	295	300	305	310
Module efficiency	η [%]	15.30	15.59	15.85	16.15	16.40	16.69	16.97	17.25
Open-circuit voltage	V <sub>oc</sub> [V]	40.06	40.26	40.52	40.79	41.12	41.45	41.78	42.11
Short-circuit current	I <sub>sc</sub> [A]	9.00	9.12	9.17	9.23	9.26	9.31	9.37	9.41
Max Rated voltage	V <sub>mp</sub> [V]	32.08	32.54	33.00	33.46	33.73	34.19	34.58	34.91
Max Rated current	I <sub>mp</sub> [A]	8.58	8.62	8.64	8.68	8.75	8.78	8.83	8.89

1) STC: 1000 W/m<sup>2</sup> irradiance, 25°C cell temperature, AM 1.5g spectrum according to EN 60904-3.  
 2) NOCT: 800 W/m<sup>2</sup> irradiance, 20°C cell temperature, AM 1.5g spectrum according to EN 60904-3.

3) Average relative efficiency reduction of 5% at 200 W/m<sup>2</sup> according to EN 60904-1.

## ELECTRICAL PARAMETERS AT NOCT

Parameter	Symbol	275	280	285	290	295	300	305	310
Peak Power	P <sub>max</sub> [Wp]	202.12	205.98	209.39	213.31	216.72	220.45	224.27	227.95
Open-circuit voltage	V <sub>oc</sub> [V]	37.51	37.69	37.94	38.19	38.50	38.81	39.11	39.42
Short-circuit current	I <sub>sc</sub> [A]	7.20	7.30	7.34	7.38	7.41	7.45	7.49	7.53
Rated voltage	V <sub>mp</sub> [V]	30.03	30.46	30.90	31.33	31.58	32.01	32.38	32.69
Rated current	I <sub>mp</sub> [A]	6.86	6.90	6.91	6.94	7.00	7.02	7.06	7.11

## THERMAL DATA

T <sub>c</sub> of open circuit voltage (β)	-0.2885% / °C
T <sub>c</sub> to short-circuit current (α)	0.0576% / °C
T <sub>c</sub> rated power (δ)	-0.3797% / °C
NOCT (Normal Operating Cell Temperature)	45°C ± 2°C
Temperature range	-40°C to 85°C

## PERMISSIBLE OPERATING CONDITIONS

Max. system voltage	1500 V DC
Max. reverse current / fuse rating	15 A (IEC) / 20 A (UL)
Protection class	Class A (Safety Class II)
Mechanical load capacity	5400 Pa (Snow Load), 2400 Pa (Wind Load)

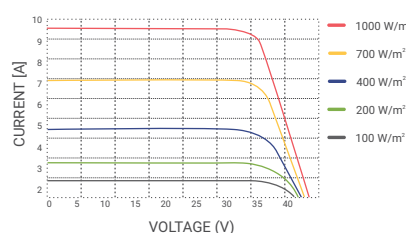
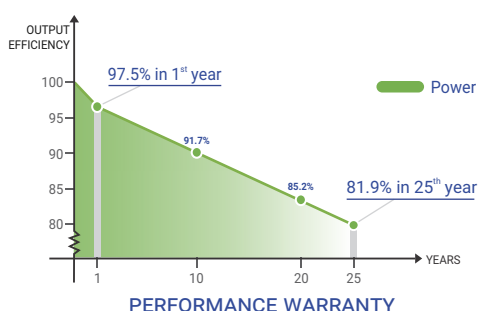
## PACKAGING INFORMATION

No. of modules per pallet	31
No. of pallets per container (40 HC)	24
Pallet dimensions (in mm)	1844 X 1151 X 1159 (L X W X H)
Pallet weight	680 kg

## WARRANTY

Product warranty	10 years
Performance warranty	Linear power warranty for 25 years with 2.5% for 1st year degradation and 0.65% from year 2 to year 25

## CHARACTERISTIC GRAPH



**Note:**  
 • Due to continuous updates, the specifications included in this datasheet are subject to change without notice.  
 • The electrical data given here is for reference purpose only.  
 • Please confirm your exact requirements with the sales representative while placing your order.  
 • Read safety and installation manual before using the product.  
 • T<sub>c</sub>=Temperature Co-efficient

TYPICAL I-V CURVES