



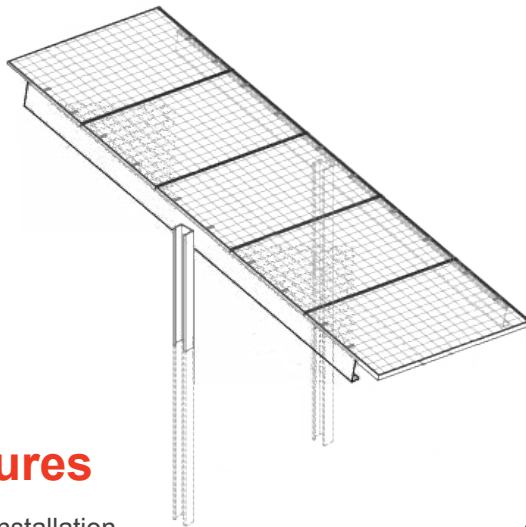
### Atlas - 5

5 - High Post Driven Ground Mount

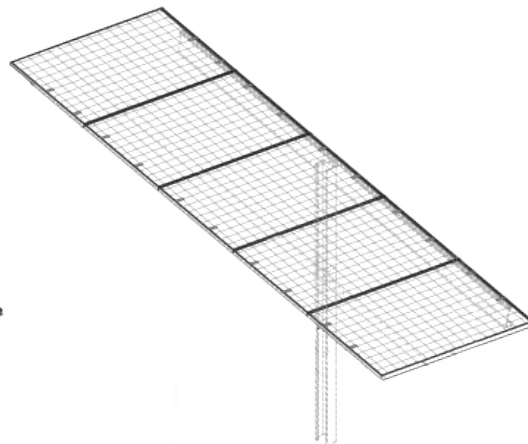
## Superior Cost Savings

The Atlas is a fixed tilt ground mount solution designed for commercial and utility scale installations, with slide-in panel Purlins, pre-punched hole locations and only 3 major components. Efficient design dramatically lowers overall project material costs and reduces installation costs and effort.

### Starter Section



### Add-On Section



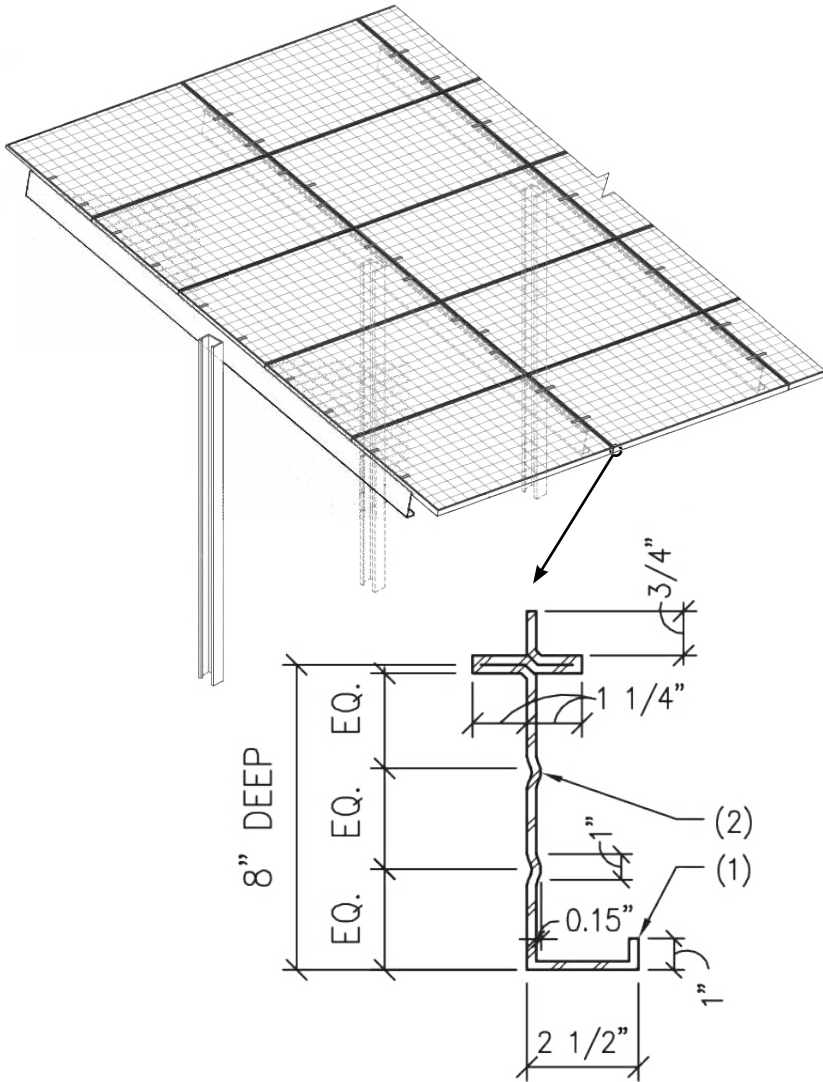
## Key Features

- Slide in panel installation
- Pre-punched holes
- Only 3 main components. No on-site Welding
- Universal hardware for all assembly
- 10° - 25° angles available
- All components are galvanized roll-formed steel
- C-Channel posts are pile driven into ground
- Accommodates terrain up to 3° EW

**"Your Single Solar Source"**

# Atlas - 5

## 5-High Post Driven Ground Mount



## Technical Specifications

Application	Open Field Layout
Foundation	Pile Driven
Module Orientation	Landscape
Module Compatibility	All Major Brands - 60 & 72 Cell Modules
Tilt Angle Available	10° - 25°
Ground Clearance	Standard - 24"
Grade of Terrain	NS = 5° / EW = 3°
Wind Load	Up to 105 MPH *
Snow Load	Up to 30 PSF *
Purlin Length	200"
Material Composition	Galvanized Steel G-90 - Post & Rails
Warranty	10 Years
Manufacturing	Made in USA

## Major Components

### 1 Slide-in Purlin

Panels are installed in a matter of seconds without any top clamp hardware.

### 2 Gator Clip

Secures modules to rail within seconds using a single bolt to enable clamp down design and accomodates all frame sizes.

### 3 C-Channel Post

Available in multiple lengths for various soils and height clearances. Includes template to set trusses at consistent angles.



No.	Part	START SECTION	ADD SECTION
1.	Slide In Purlin	2 pcs	1 pc
2.	Gator Clip	20 pcs	20 pcs
3.	C-Channel Post	2 pcs	1 pc
All assembly hardware included.			

\*Snow loads are ground snow loads estimated at 25 deg.  
\*wind loads are estimated at 10 deg.  
\*Loading is single factor snow only or wind only.  
\*All specifications subject to change without notice.