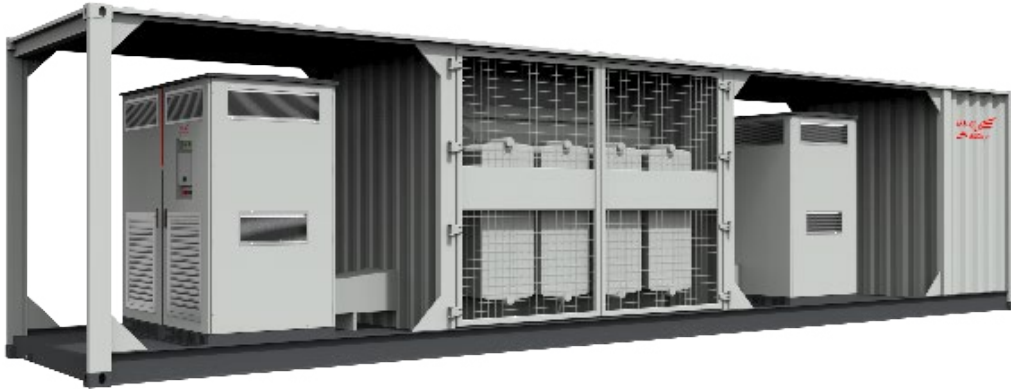


Inverter & Transformer Turnkey Solution for 1500V System

SPI6250K-B-HUD/T/SPI6800K-B-HUD/T



Product Features

Highly integrated

- Integrated with outdoor central PV inverter for 1500V System
- Equipped with inverter & transformer system (10kV~35kV optional)
- Integrated intelligent transformer measurement and control device, one-stop solar farm communication solution

Lean intelligence

- Integrated multi - function transformer measurement and control device, intelligent operation management
- Unified external communication interface, rapid

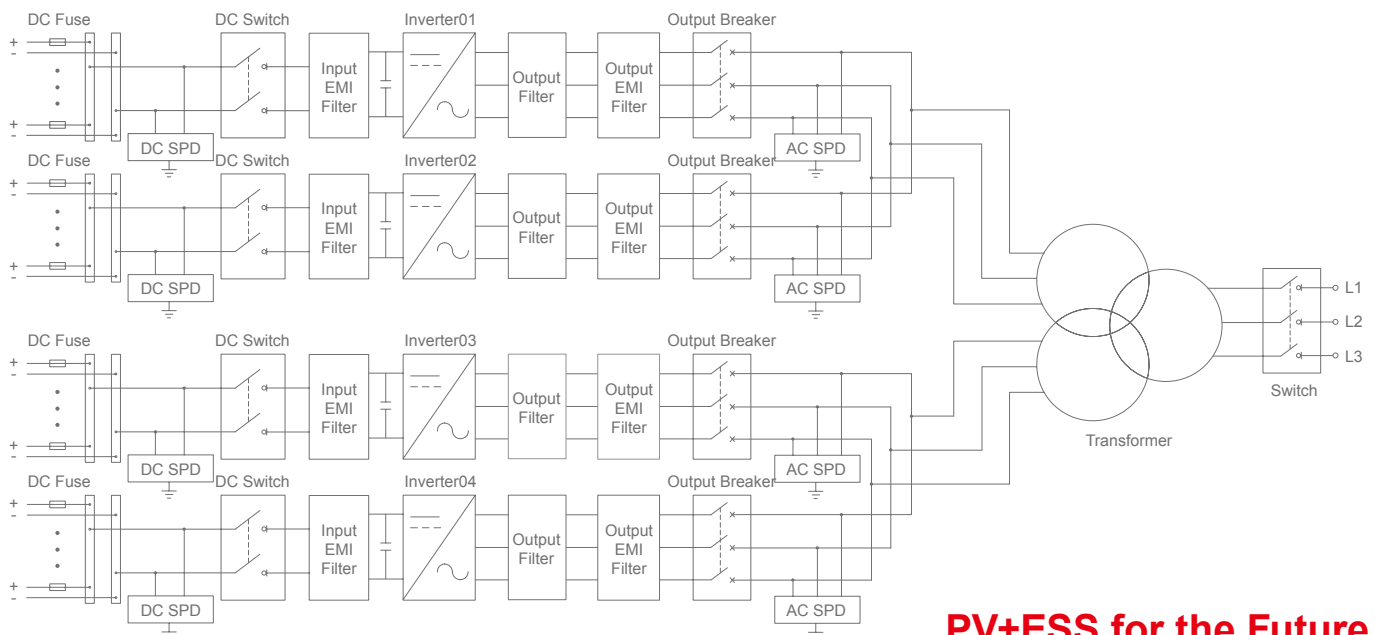
Efficient and stable

- IP65 design, high environmental adaptability
- Optimized inverter and step up unit, higher system efficiency

Lower investment, higher income

- Integrated connection of inverter and transformer, reduce system cost
- Reserve energy storage interface for future PV+ESS projects
- Support night SVG function, reduce construction cost

Function Diagram



PV+ESS for the Future

Technical Specification

Items	SPI6250K-B-HUD/T	SPI6800K-B-HUD/T
DC Input		
Max. PV input voltage	1500Vdc	
Max. PV input current	2×3992A	
No. of PV input strings	2× (16~24 optional)	
No. of MPPTs	2×2 (2×1 optional)	
MPPT voltage range	875~1500Vdc	
Starting voltage	915Vdc	
MPPT efficiency	>99.9%	
AC Output		
Rated AC output power	2×3125kW	2×3400kW
Max. output power	2×3438kVA	2×3438kVA
Rated grid voltage	20~35kV	
Rated grid frequency	50Hz/60Hz	
Power factor	>0.99 (at rated power)	
PF adjustable range	0.8 leading~0.8 lagging	
THDi	<3% (at rated power)	
Inverter Efficiency		
Max. efficiency	99.02%	
European efficiency	98.55%	
Transformer		
Transformer type	oil	
Rated power	6250kVA	6800kVA
Voltage transformation ratio	6875kVA	6875kVA
Isolation mode	Dy11y11/Yd11d11	
Protection		
LVRT function	Yes	
Fault wave record diagnosis	Yes	
Online upgrade	Yes	
Night SVG function	Optional	
Anti-PID function	Yes	
Transformer measuring and controlling device	Yes	
General		
Dimensions (W×H×D)	12192×2896×2438mm	
Weight	26T	
IP grade	IP55	
Transformer cooling type	ONAN	
Inverter cooling type	Intelligent forced air cooling	
Altitude	3000m (standard) />3000m (optional)	
Operating temperature range	-35°C (~60°C)	
Relative humidity	0~100%	
Display	LCD	
Communication	Ethernet/RS485	

- Specifications are subject to change without prior notice.

Kehua Tech

Add: No. 457, Malong Road, Torch High-Tech Industrial Zone, Xiamen Fujian China

Tel: +86-592-5160516 Fax: +86-592-5162166 www.kehua.com

