



INE-60M SERIES 6 INCH 60 CELLS

300-320_w

PRODUCT CERTIFICATES



KEY FEATURES

0~3% Output positive tolerance/Guaranteed 0~3% positive tolerance ensures the power output reliability

PERC Innovative Perc Cell Technology/Outstanding power output performance by perc cell

PID Anti PID technology/Excellent Anti-PID performance

NEW IEC Tested and certified according IEC standard /IEC61215/IEC61730 standard quality

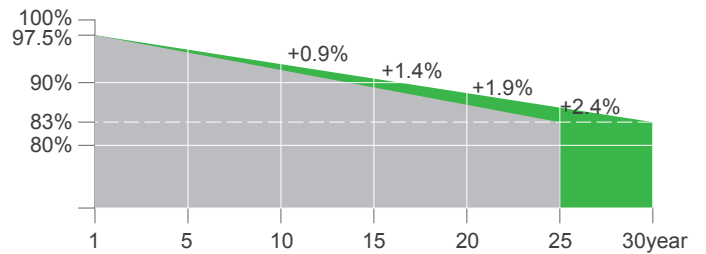
✓ Highly reliable due to stringent quality control/Three times strict EL testing beyond certification requirements

° Lower temperature coefficients/Outstanding power output capability at low irradiance

SYSTEM CERTIFICATES

IEC 61215 / IEC 61730
 ISO 9001 : Quality Management System
 ISO 14001 : Environment Mangement System
 OHSAS 18001 : Occupational Health and Safety Management System

WARRANTY



12 years 12-year Warranty for Materials and Processing

30 years 30-year Warranty for Extra Linear Power Output

ELECTRICAL PARAMETERS AT STC

Module Type	INE-300-60M	INE-305-60M	INE-310-60M	INE-315-60M	INE-320-60M
Rated Maximum Power(Pmax) [W]	300	305	310	315	320
Open Circuit Voltage(Voc) [V]	39.92	40.18	40.44	40.71	40.97
Maximum Power Voltage(Vmp) [V]	32.60	32.81	33.02	33.24	33.46
Short Circuit Current(Isc) [A]	9.71	9.81	9.91	10.00	10.09
Maximum Power Current(Imp) [A]	9.20	9.30	9.39	9.48	9.56
Module Efficiency [%]	18.44	18.74	19.05	19.36	19.66

STC: Irradiance 1000 W/m² module temperature 25°C AM=1.5

ELECTRICAL PARAMETERS AT NOCT

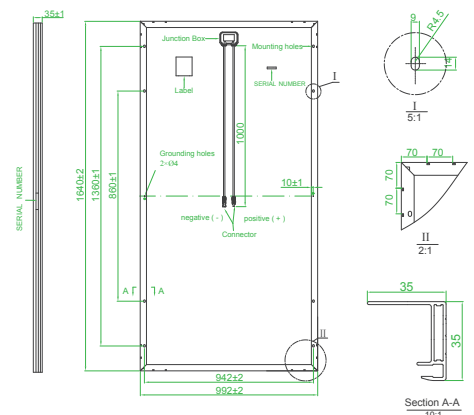
Module Type	INE-300-60M	INE-305-60M	INE-310-60M	INE-315-60M	INE-320-60M
Rated Maximum Power(Pmax) [W]	222	226	230	234	238
Open Circuit Voltage(Voc) [V]	36.30	36.55	36.80	37.07	37.33
Maximum Power Voltage(Vmp) [V]	30.20	30.41	30.62	30.84	31.06
Short Circuit Current(Isc) [A]	8.04	8.13	8.22	8.30	8.38
Maximum Power Current(Imp) [A]	7.35	7.43	7.51	7.59	7.66

NOCT: Irradiance 800 W/m² ambient temperature 20°C wind speed: 1m/s

MECHANICAL SPECIFICATION

Cell Type	Monocrystalline
Cell Dimensions	156.75*156.75mm(6inch)
Cell Arrangement	60(6*10)
Weight	18.5kg
Module Dimensions	1640*992*35mm
Cable	4.0 mm ² , wire length: 900 mm or Customized Length
Front Glass	3.2 mm AR coating tempered glass, low iron
Frame	Anodized aluminium alloy
Junction Box	IP67/IP68
Connector	MC4 Compatible
Mechanical Load	Front side 5400Pa/ Rear side 2400Pa

Technical drawing(INE-XXX-60M)



* All Dimensions in mm.
 * The above drawing is a graphical representation of the product.
 For engineering quality drawings please contact IDEAL NEW ENERGY.

OPERATING CONDITIONS

Power Tolerance (W)	(0, +4.99)
Maximum System Voltage (V)	1000VDC / 1500VDC
Pmax Temperature Coefficient	-0.36 %/°C
Voc Temperature Coefficient	-0.28%/°C
Isc Temperature Coefficient	+0.05 %/°C
Nominal Operating Cell Temperature	45±2 °C
Operating Temperature	-40°C-+85°C
Maximum Series Fuse	20A

PACKING CONFIGURATION

Quantity/Pallet	30pcs/pallet
Pallets/Container	12pallet/20GP; 28pallet/40HQ
Quantity/Container	360pcs/20GP; 952pcs/40HQ

I-V Curve

