

OUR APPROACH

ISELI has been founded by experts who share the same values for renewable, for sustainability and for excellence. Thanks to a team cumulating more than 50 years' experience in the PV modules manufacturing sector, ISELI designs and manufactures its TOP class products with the objectives to always provide the best Quality to its customers.

At ISELI, we exceed and re-invent the standards of the industry with one objective: Customer satisfaction.



ENERSOL HALF CELL POLY SERIES

330 HV



+ 0- /+5 POSITIVE TOLERANCE

↔ HIGH QUALITY

✓ HIGH MODULE EFFICIENCY



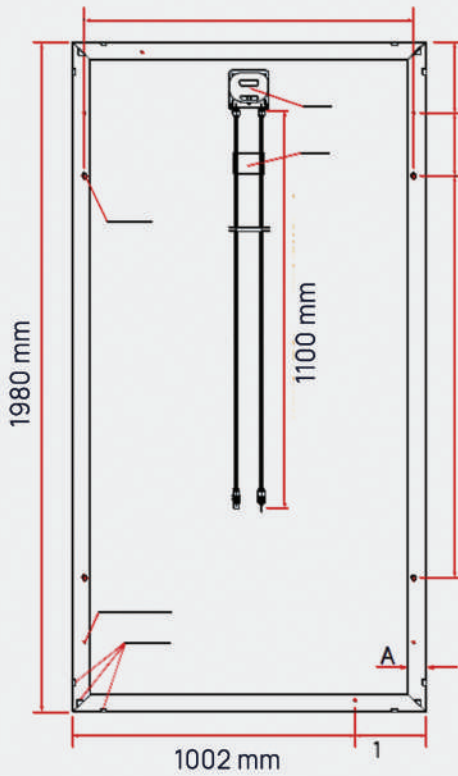
IEC 61215
IEC 61730



Dramatically reduce power loss up to 6% and lower risk of hot-spots due to lower temperature in partially shaded cells. Most importantly, half-cut cell solar panels offer improved performance and durability.

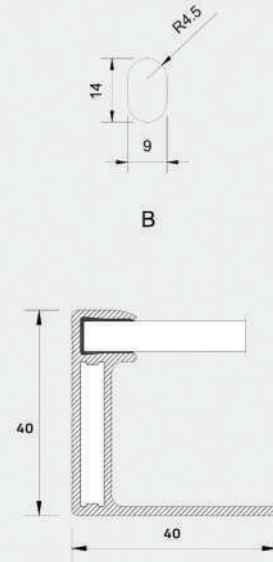


POLY SERIES HALF CUT 330 HV



GENERAL CHARACTERISTICS

Cell	Polycrystalline 158.75 x 79.375 mm
No. of Cells (connections)	144 (perc 5BB)
Panel Dimensions	1980 x 1002 x 40 mm
Weight	22 kg
Connectors and cable	IP65 3 bypass-diodes 1.1 m cables



TEMPERATURE COEFFICIENCIES

Temperature Coefficients I_{sc}	+0.04%/k
Temperature Coefficients U_{oc}	-0.30%/k
Temperature Coefficients P_{mpp}	-0.40%/k
Nominal Cell Operating Temp	48°C±2°C

ELECTRIC PERFORMANCE at STC*

Nominal Power	0/+5WP
MPP Voltage	74.36 V
MPP Current	4.90 A
Open Circuit Voltage	91.66 V
Short Circuit Current	5.17 A
Module Efficiency	19.56 %

LIMITS

System Max Voltage	1500 V
Reverse Current Max	20 A
Operating Temp	-40°C - 85°C
Maximum Load	550 kg/m

*Standard Test Conditions: 1000W/m² irradiance, 25°C and AM = 1.5

HIGH PERFORMANCE

25

25 Years Linear Performance Warranty

12

12 Years Product Warranty

