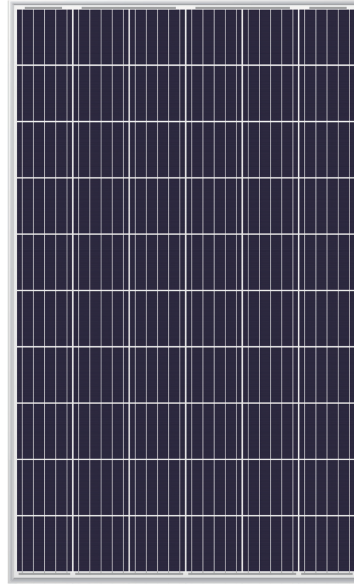




BQ-6PB (-HV) 270-285_W



KEY FEATURES



Tested and certified according to newest IEC standard
IEC61730-1:2016 IEC61215-1:2016
IEC61730-2:2016 IEC61215-2:2016



Safety for salt mist corrosion
Safety for ammonia corrosion



Bankable products



Outstanding power output capability at low irradiance



Triple 100% Electroluminescence (EL) tests minimize breakage rate



Top rank in Photon yield measurement



Safety for fire risk
(Class C tested in TÜV SÜD and Rheinand)

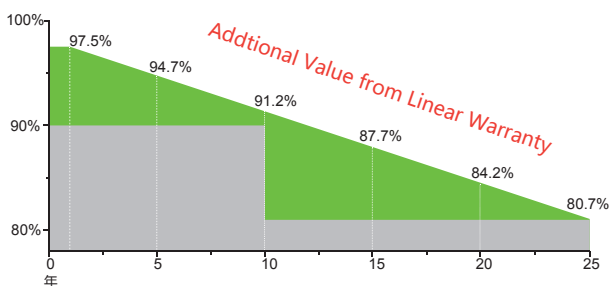


Anti-PID products, passing TÜV SÜD system voltage durability test



World 1st company to pass "Thresher Test" and "On-site Power Measurement Validation" certificate

Warranty



10 Years

Guarantee on product material and workmanship

25 Years

linear power output warranty

Product Certificates



BQ SOLARTECH CO., LTD

+86 13758135482 sales@bqsolartech.com

www.bqsolartech.com

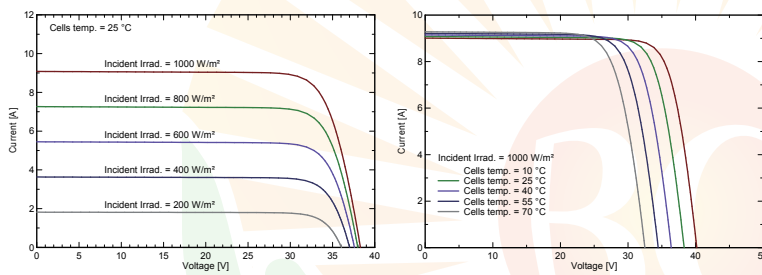
Electrical Characteristics

Module Type	BQ-270-6PB-HV		BQ-275-6PB-HV		BQ-280-6PB-HV		BQ-285-6PB-HV	
	STC	NOCT	STC	NOCT	STC	NOCT	STC	NOCT
Maximum Power - P_{mp} (W)	270	200	275	204	280	208	285	212
Open Circuit Voltage - V_{oc} (V)	38.1	35.2	38.3	35.4	38.5	35.6	38.7	35.8
Short Circuit Current - I_{sc} (A)	8.99	7.26	9.08	7.35	9.18	7.44	9.27	7.53
Maximum Power Voltage - V_{mp} (V)	31.3	29.2	31.6	29.4	31.8	29.6	32.0	29.8
Maximum Power Current - I_{mp} (A)	8.63	6.85	8.71	6.94	8.81	7.03	8.91	7.12
Module Efficiency STC- η_m (%)	16.60/16.50		16.90/16.80		17.21/17.11		17.52/17.41	
Power Tolerance (W)	(0,+4.99)							
Maximum System Voltage (V)	1500 VDC							
Maximum Series Fuse Rating (A)	20A							
Pmax Temperature Coefficient	-0.36 %/°C							
Voc Temperature Coefficient	-0.30 %/°C							
Isc Temperature Coefficient	+0.05 %/°C							
Operating Temperature	-40~+85 °C							
Nominal Operating Cell Temperature	45±2 °C							

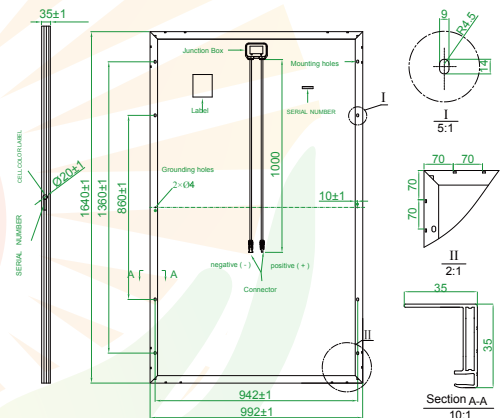
STC: Irradiance 1000 W/m² module temperature 25 ° C AM=1.5

NOCT: Irradiance 800 W/m² ambient temperature 20° C wind speed :1m/s Power measurement tolerance: +/-3%

I-V Curve



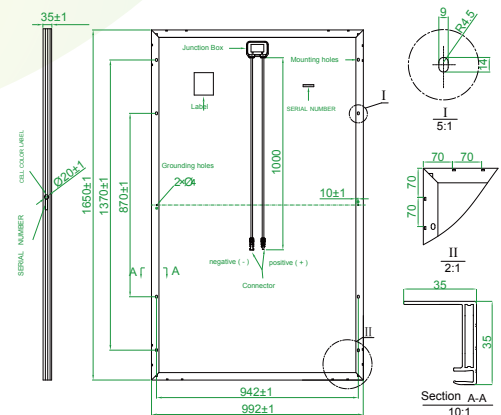
Technical drawing(BQ-XXX-6PB)



Mechanical Specifications

External Dimension	1640x 992 x 35mm/1650x 992 x 35mm
Weight	17.5kg/18.0kg
Solar Cells	Poly crystalline 156.75 x 156.75 mm (60pcs)
Front Glass	3.2 mm AR coating tempered glass, low iron
Frame	Anodized aluminium alloy
Junction Box	IP68, 3 diodes
Output Cables	4.0 mm ² , cable length:1000 mm
Connector	MC4 Compatible
Mechanical Load	5400 Pa

Technical drawing(BQ-XXX-6PB-HV)



Packing Configuration

External Dimension	1640 x 992 x 35mm/1650x 992 x 35mm		
	20' GP	40' GP	40' HQ
Container	20' GP	40' GP	40' HQ
Pieces per Pallet	30	30	30+2*
Pallets per Container	12	28	28
Pieces per Container	360	840	896

* 30+2 pieces per pallet is the special package which only suits for container transport. For details, please consult SERAPHIM.

* All Dimensions in mm.

* The above drawing is a graphical representation of the product.

BQ SOLARTECH CO., LTD

+86 13758135482 sales@bqsolartech.com

www.bqsolartech.com