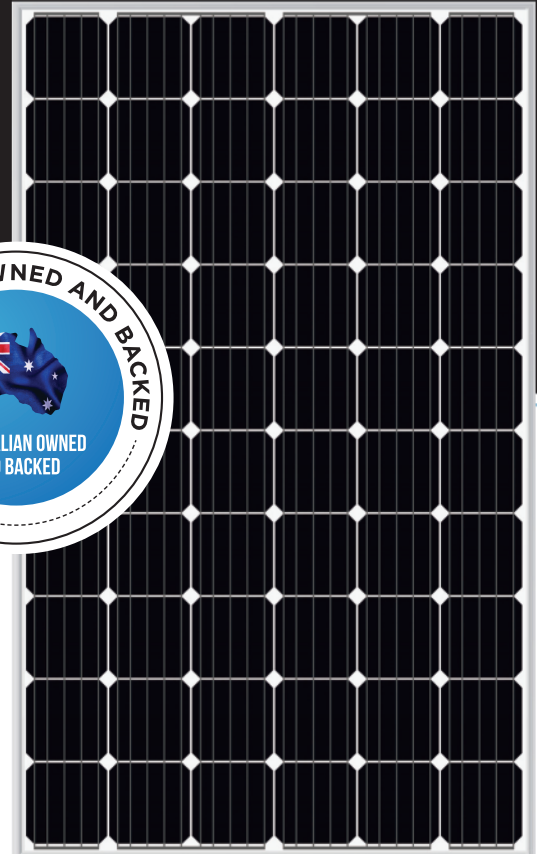


THE OBSIDIAN SERIES MONOCRYSTALLINE

6 INCH 60 CELLS
PW-315-6MB

315W



KEY FEATURES



Bankable products



Top rank in Photon yield measurement



Safety for fire risk



Outstanding power output capability at low irradiance



Triple 100% Electroluminescence (EL) tests minimize breakage rate



Tested and certified according to newest IEC standard
IEC61730-1:2016 IEC61215-1:2016
IEC61730-2:2016 IEC61215-2:2016

MANAGEMENT SYSTEM

ISO 9001: Quality management system
ISO 14001: Standard for environmental management system
OHSAS 18001: International standard for occupational health and safety assessment system

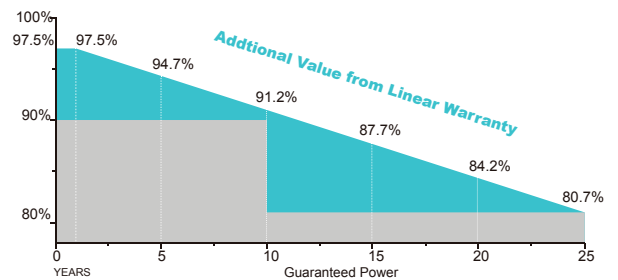
INSURANCE



PRODUCT CERTIFICATES



WARRANTY



Guarantee on product material and workmanship



linear power output warranty

Specifications are subject to change without further notification SRP-DS-EN-2019V2.0 © Copyright 2019 Seraphim

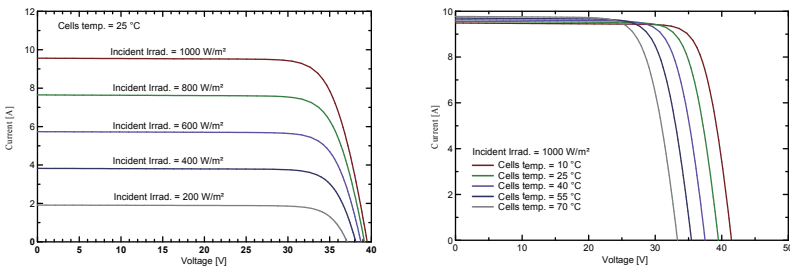
Electrical Characteristics

Module Type	PW-315-6MB	
	STC	NOCT
Maximum Power -P _{mp} (W)	315	234
Open Circuit Voltage -V _{oc} (V)	40.4	37.3
Short Circuit Current -I _{sc} (A)	9.92	8.05
Maximum Power Voltage -V _{mp} (V)	32.8	30.9
Maximum Power Current -I _{mp} (A)	9.61	7.58
Module Efficiency STC-η _m (%)	19.36/19.24	
Sorting and Binning Tolerance	(0,+4.99)	
Power Tolerance (W)	+/-3%	
Maximum System Voltage (V)	1000VDC	
Maximum Series Fuse Rating (A)	20A	
Pmax Temperature Coefficient	-0.38%/°C	
Voc Temperature Coefficient	-0.28 %/°C	
Isc Temperature Coefficient	+0.05 %/°C	
Operating Temperature	-40~+85 °C	
Nominal Operating Cell Temperature	45±2 °C	

STC: Irradiance 1000 W/m² module temperature 25°C AM=1.5
 NOCT: Irradiance 800 W/m² ambient temperature 20°C wind speed :1m/s Power measurement tolerance: +/-3%

Tolerance of VOC: +/-2%
 Tolerance of ISC: +/-4%

I-V Curve



Packing Configuration

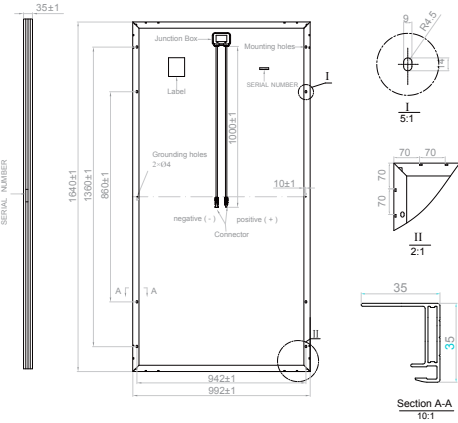
External Dimension	1640 x 992 x 35mm /1650 x 992 x 35mm		
Container	20'GP	40'GP	40'HQ
Pieces per Pallet	30	30	30+2*
Pallets per Container	12	28	28
Pieces per Container	360	840	896

* 30+2 pieces per pallet is the special package which only suits for container transport. For details, please consult POWERWAVE.

Mechanical Specifications

External Dimension	1640 x 992 x 35mm/1650 x 992 x 35mm
Weight	17.5kg/18.0kg
Solar Cells	PERC Mono crystalline 156.75 x 156.75 mm (60pcs)
Front Glass	3.2 mm AR coating tempered glass, low iron
Frame	Anodized aluminium alloy
Junction Box	IP68, 3 diodes
Output Cables	4.0 mm ² , cable length:1000 mm
Connector	TT01&TT02 & PV-KST4xy-UR; PV-KBT4/xy-UR&PV-JM601 for SD-901 TL-CABLE01 for TL-BOX040G-1xypT Z4S-abcde&PPV-KST4xy-UR;PV-KBT4/xy-UR&H4Labcdef&PV-KST4xy-EVO2/xy;PV-EVO2/xy&PV4-S14.0&UTXC Fabcd, UTXCMabcd for ZS-abcd
Mechanical Load	5400pa positive load and 2400pa negative load
Fire Safety Class	Class C

Technical drawing (PW-315-6MB)



* All Dimensions in mm.
 * The above drawing is a graphical representation of the product. For engineering quality drawings please contact POWERWAVE.
 Specifications are subject to change without further notification

Country of Manufacture – China