

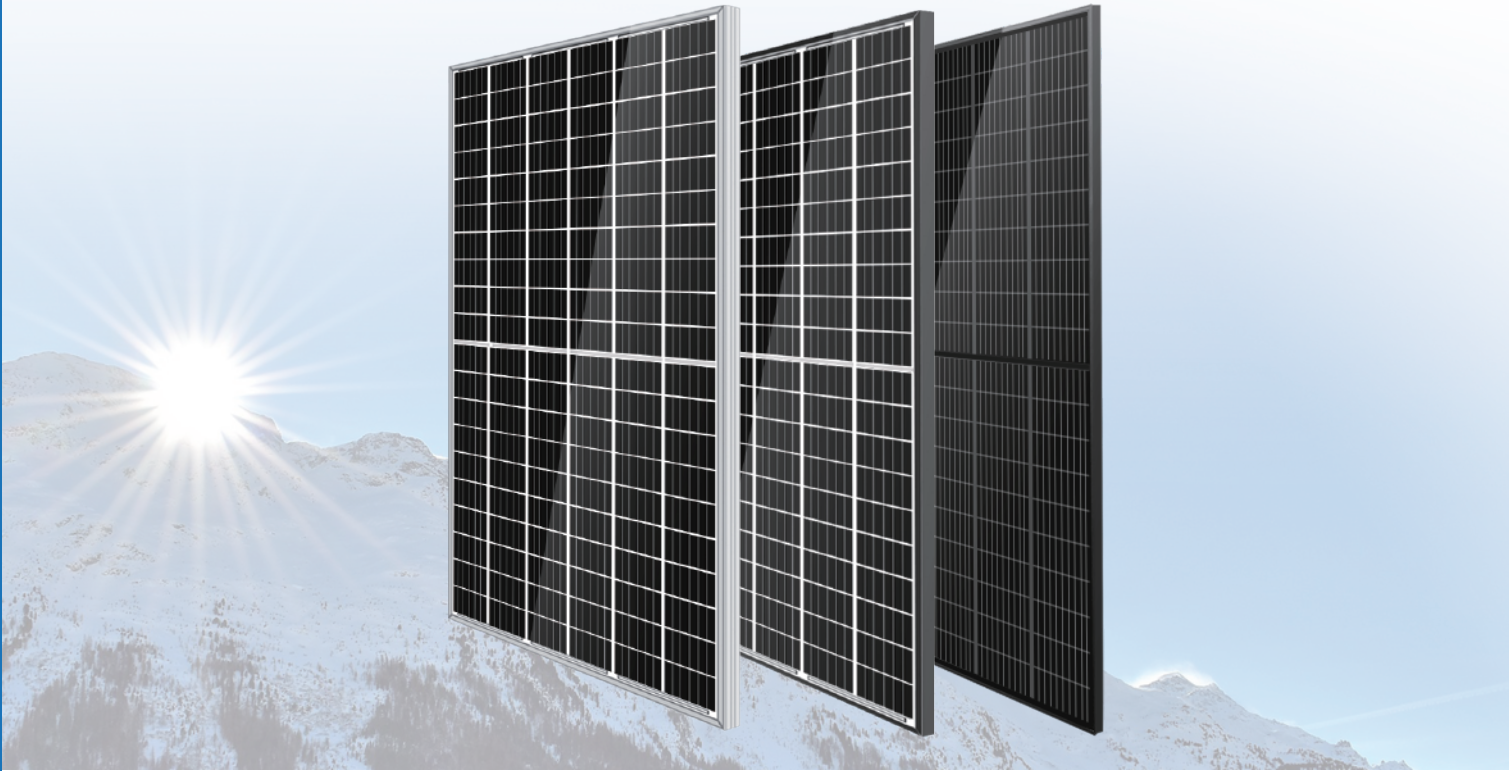
# HoRay Solar

## 禾润电力

Monocrystalline

### HS158\*158-M-60-MH

Rated Power 325-340W



#### 5BB/9BB Cell

More uniform current collection capability, reducing the current heat loss of the internal cells.



#### Low Light Features

Higher performance under low light environment.



#### Higher Output Power

The output power of 120 half-cells Monocrystalline modules is up to 345W.



#### PID Protection

Ensure the attenuation probability caused by PID phenomenon is minimized.



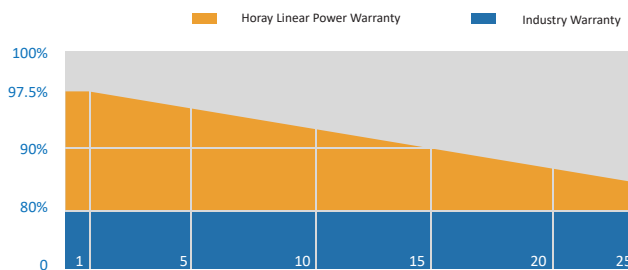
#### Harsh Environmental Adaptability

Strict salt spray and ammonia corrosion test by TUV.



#### Load Capacity

Mechanical load tests including wind load 2400 Pa and snow load 5400 Pa done by TUV.



IEC 61215  
IEC 61730



IEC 61215 IEC 61730 with  
China Standard GB/T9535-1995



TUV Standard



ISO 9001:2015

Headquarter : HoRay Solar Co.,Ltd.

NO.30-5, Yanxin East Road, Huishan District, Wuxi City, Jiangsu Province, 21400, P.R China

Branch Factory : Wuxi My Solar Technology Co.,Ltd.

Jinchang Road, Huishan Sub-District, Wuxi City, Jiangsu, China

+86-510-83580688

info@horaysolar.com

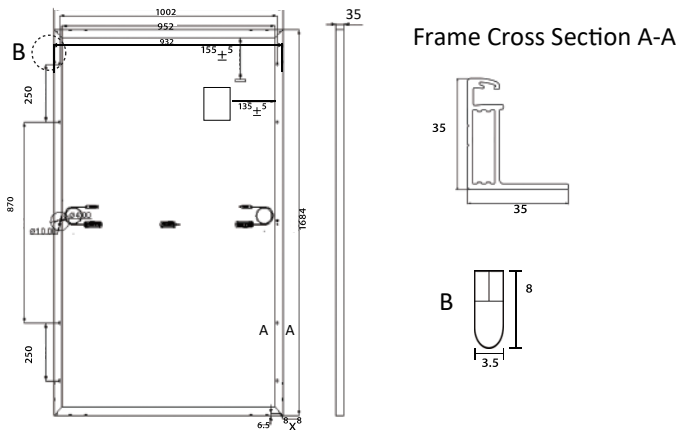
www.horaysolar.com

+86-510-83230080

info@mysolar.cn

www.mysolar.cn

## MECHANICAL DIAGRAMS



## SPECIFICATIONS

Weight	19kg
Dimensions	1684mm*1002mm*35mm
Cell Amount	60*2 pcs
Maximum System Voltage	1500V
Junction Box	IP68
Frame	Aluminum Alloy
Cable	4mm <sup>2</sup> , Landscape: N 1100mm/P 1100mm Portrait: N 150mm/P 300mm
Connector	MC4 compatible
Application Level	Class A

## ELECTRICAL PARAMETERS AT STC

	325W	330W	335W	340W
Power	325W	330W	335W	340W
Open Circuit Voltage	40.40V	40.60V	40.80V	41.10V
Short Circuit Current	10.30A	10.40A	10.50A	10.60A
Maximum Power Voltage	33.60V	33.80V	34.00V	34.20V
Maximum Power Current	9.68A	9.77A	9.86A	9.95A
Module Efficiency	19.3%	19.6%	19.9%	20.1%

\* Under Standard Test Conditions (STC) of irradiance of 1000 W/m<sup>2</sup>, spectrum AM 1.5 and cell temperature of 25°C.

## ELECTRICAL PARAMETERS AT NMOT

	245W	249W	253W	257W
Power	245W	249W	253W	257W
Open Circuit Voltage	38.00V	38.20V	38.40V	38.70V
Short Circuit Current	8.31A	8.39A	8.46A	8.55A
Maximum Power Voltage	31.25V	31.40V	31.60V	31.80V
Maximum Power Current	7.84A	7.93A	8.01A	8.08A
Module Efficiency	14.5%	14.8%	15.0%	15.2%

\* Under Nominal Module Operating Temperature (NMOT), irradiance of 800 W/m<sup>2</sup>, spectrum AM 1.5, ambient temperature 20°C, wind speed 1 m/s.

## TEMPERATURE CHARACTERISTICS

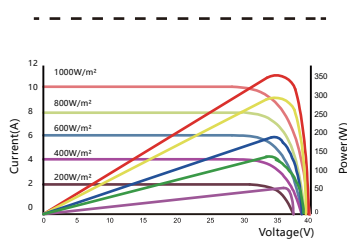
NMOT	41±3°C	Temp Coefficient of ISC	+0.05%/°C
Temp Coefficient of VOC	-0.28%/°C	Temp Coefficient of Pmax	-0.36%/°C

## PACKING CONFIGURATION

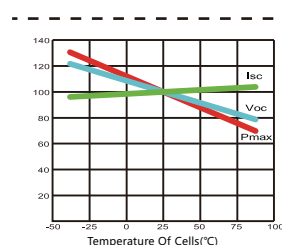
Modules/Pallet	31 Pieces	Modules/40'Container	858 Pieces
Packing Description	26 Pallets, Total=(31+31+4)x13=858 Pieces		

## CHARACTERISTICS

HS158-120M-320W



HS158-120M-320W



## MAXIMUM RATING

Output Tolerance	0~±3%
Operating Temperature	-40°C~+85°C
Wind Load/Snow Load	2400pa/5400pa
Fuse Current	15A/25A

**15** YEARS Quality Warranty

**25** YEARS Power Warranty