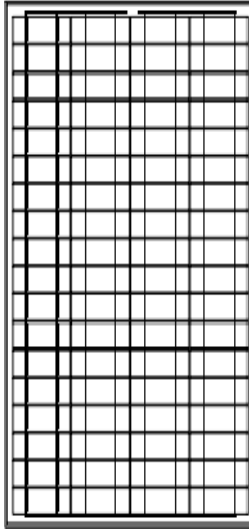


# ISP-A1125 Panels Specifications



**Laminate:** Glass /EVA / TPT (tedlar/pet/tedlar) or TPE

**Front Side:** High-transmission 3.2mm tempered glass

**Back Side:** TPT /TPE

**Frame:** Clear anodized aluminum frame

**Output Junction box**

Module Type	Pm(Wp)±5%	Vmpp(V)	Imp(A)	Voc(V)	Isc(A)	Module size(mm)	NET(kg)
ISP-A1125	125	17.3	7.22	21.6	7.71	1480*670*35(mm) 58.3*26.4*1.38(inch)	11.3

**Operation Temperature Range:** - 40°C ~ 85°C

**NOCT:** 48°C±3°C

**Temperature coefficients of Im:**

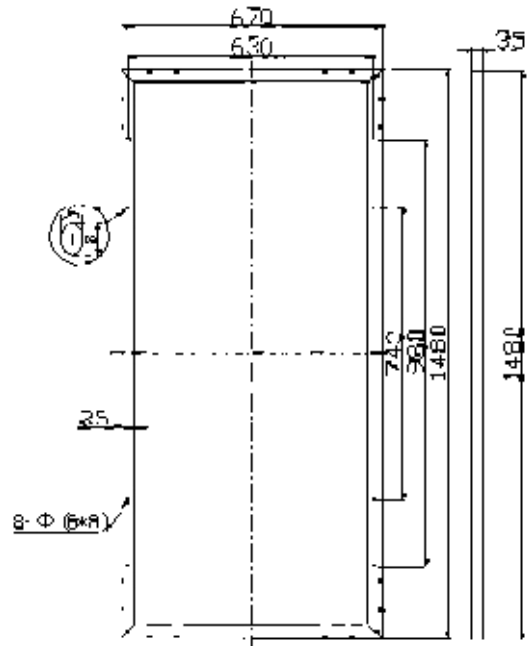
+ 0.1 %/°C Temperature

**coefficients of Vm:** - 0.38 %/°C

**Maximum System Voltage:**

DC715V

**STC:** 1000W/m<sup>2</sup> , 25°C , AM1.5



All the data of this sheet are subjected to change without notice.