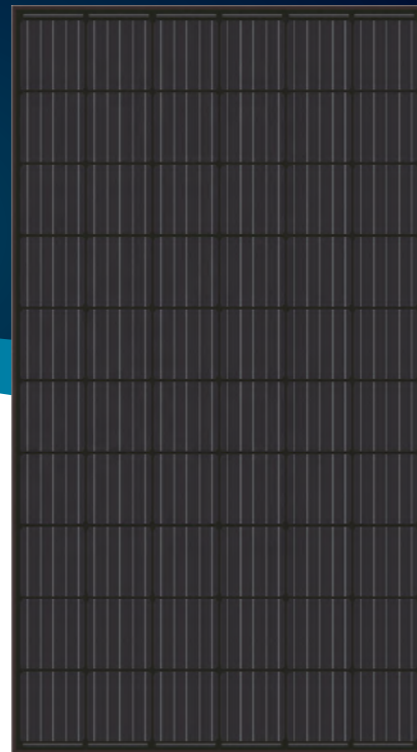


SM-72BKM ALL BLACK SERIES 72 CELLS

**360-380W**



**19.58%**  
Max efficiency

**15 YEARS**

Guarantee on product material and workmanship



**156.75mm**  
Monocrystalline solar cells

**25 YEARS**

Linear power output warranty

### KEY FEATURES



100% double EL test enabling remarkable reduction of hidden crack rate of modules



Positive power tolerance (3 ~ +10W) guaranteed



Lower risk of hot spot effects



Significantly lower LCOE and BoS cost savings



Low Light Features  
Higher performance under low light environment.



5BB Cell  
More uniform current collection capability, reducing the current heat loss of the internal cells.



PID Protection  
Ensure the attenuation probability caused by PID phenomenon is minimized

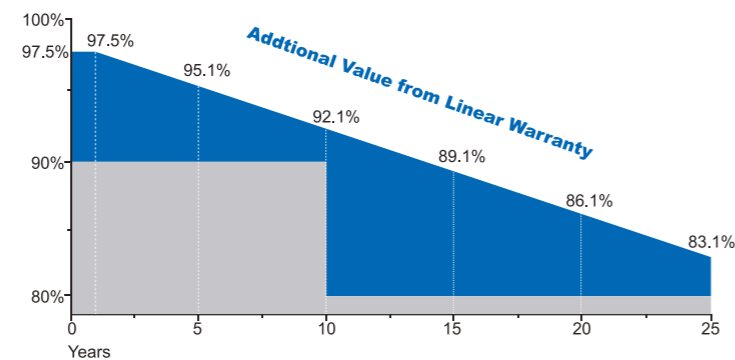
### MANAGEMENT SYSTEM

ISO 9001: Quality management system

ISO 14001: Standard for environmental management system

OHSAS 18001: International standard for occupational health and safety assessment system

### WARRANTY



### INSURANCE

**PICC**

### PRODUCT CERTIFICATES



### MONO 72 CELLS | 5BB

#### Electric Characteristics

Model of modules	SM-360-72BKM		SM-365-72BKM		SM-370-72BKM		SM-375-72BKM		SM-380-72BKM	
	STC	NOCT	STC	NOCT	STC	NOCT	STC	NOCT	STC	NOCT
Maximum power— $P_{mp}$ (W)	360W	270W	365W	274W	370W	278W	375W	282W	380W	286W
Open-circuit voltage— $V_{oc}$ (V)	48.0V	46.5V	48.2V	46.8V	48.5V	47.0V	48.7V	47.2V	48.9V	47.5V
Short-circuit current— $I_{sc}$ (A)	9.51A	7.61A	9.57A	7.68V	9.61A	7.75A	9.68A	7.82A	9.75A	7.88A
Maximum power voltage— $V_{mp}$ (V)	39.5V	37.7V	39.7V	37.9V	39.9V	38.1V	40.2V	38.3V	40.5V	38.6V
Maximum power current— $I_{mp}$ (A)	9.12A	7.17A	9.20A	7.24A	9.28A	7.30A	9.33A	7.36A	9.39A	7.42A
Module efficiency— $\eta_m$ (%)	18.55%		18.81%		19.07%		19.33%		19.58%	

STC: Irradiance 1000 W/m<sup>2</sup>, 25°C, AM1.5

NOCT: Irradiance 800 W/m<sup>2</sup>, 20°C, wind velocity 1m/s

#### Temperature Characteristics

Temperature coefficient at maximum power	-0.37% / C
Temperature coefficient of Voc	-0.28% / C
Temperature coefficient of Isc	+0.048% / C
Current operating temperature	-40~+85 C
Rated operating temperature of cells	45±2 C

#### Structural Characteristics

Module dimensions	1956x992x40mm
Weight	22.5kg
No. of cells	72
Cell	Mono crystalline 156.75x156.75mm
Glass	3.2mm AR coating tempered glass
Frame	Anodized aluminum alloy
Junction box	IP68, three diodes
Output wire	4.0 mm <sup>2</sup> , wire length: 1200mm or Customized
Connector	MC4 compatible
Mechanical load	Snow load 5400Pa/Wind load 2400Pa

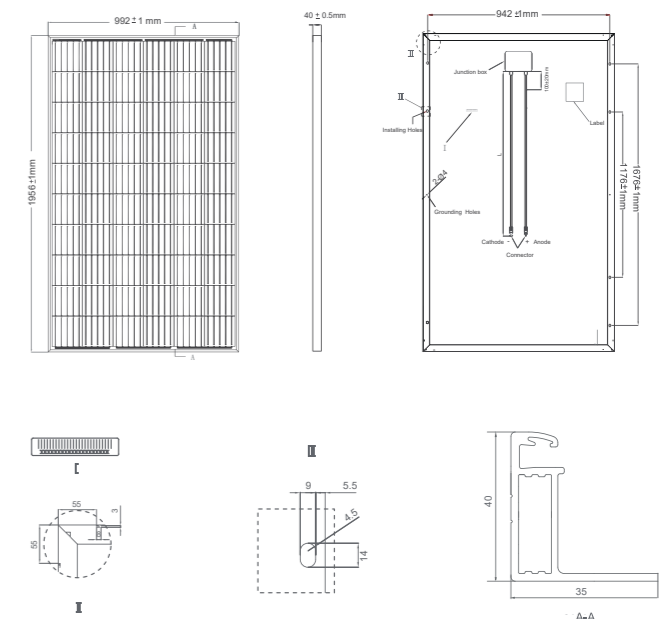
#### Working Characteristics

Power tolerance(W)	(3,+10)
Maximum system voltage(V)	1000V/1500V
Maximum rated fuse current (A)	20

#### Packaging Configuration

Container	20GP	40HQ
Quantity per pallet	26	27
Pallets per container	10	24
Quantity per container	260	708

#### Engineering Drawings



#### IV Curves

