

# OPzV Tubular-Gel Battery

## 2V420AH

### FEATURES

- Low self-discharge and long shelf life
- Non-Spillable construction
- Safety valve installation for explosion proof
- Exceptional deep discharge recovery performance
- 99.7% pure lead calcium grids and A recognized Component of U.L

### APPLICATION

- Photovoltaic system
- Telecommunications
- Emergency Power System
- Power plant and power transformer system
- Control Equipment



### SPECIFICATIONS

Nominal Voltage	2V
Nominal Capacity	420 Ah@10 hour rate F.V.(1.80V/cell)
Approx. Weight	30.5Kg
Terminals	M8 Female Large Size Copper Post
Internal Resistance	≤0.33mΩ (Fully Charged)
Max. Discharge Current	4000A (3 sec)
Max. Charge Current	100A
Operating Temperature Range	Charge: -20°C~50°C (-4°F~122°F) Discharge: -40°C~55°C (-40°F~131°F) Storage: -20°C~40°C (-4°F~104°F)
Self Discharge	About 2.0% of capacity declined per month at (25°C)

ISO 9001  IAF 

  
通信产品认证





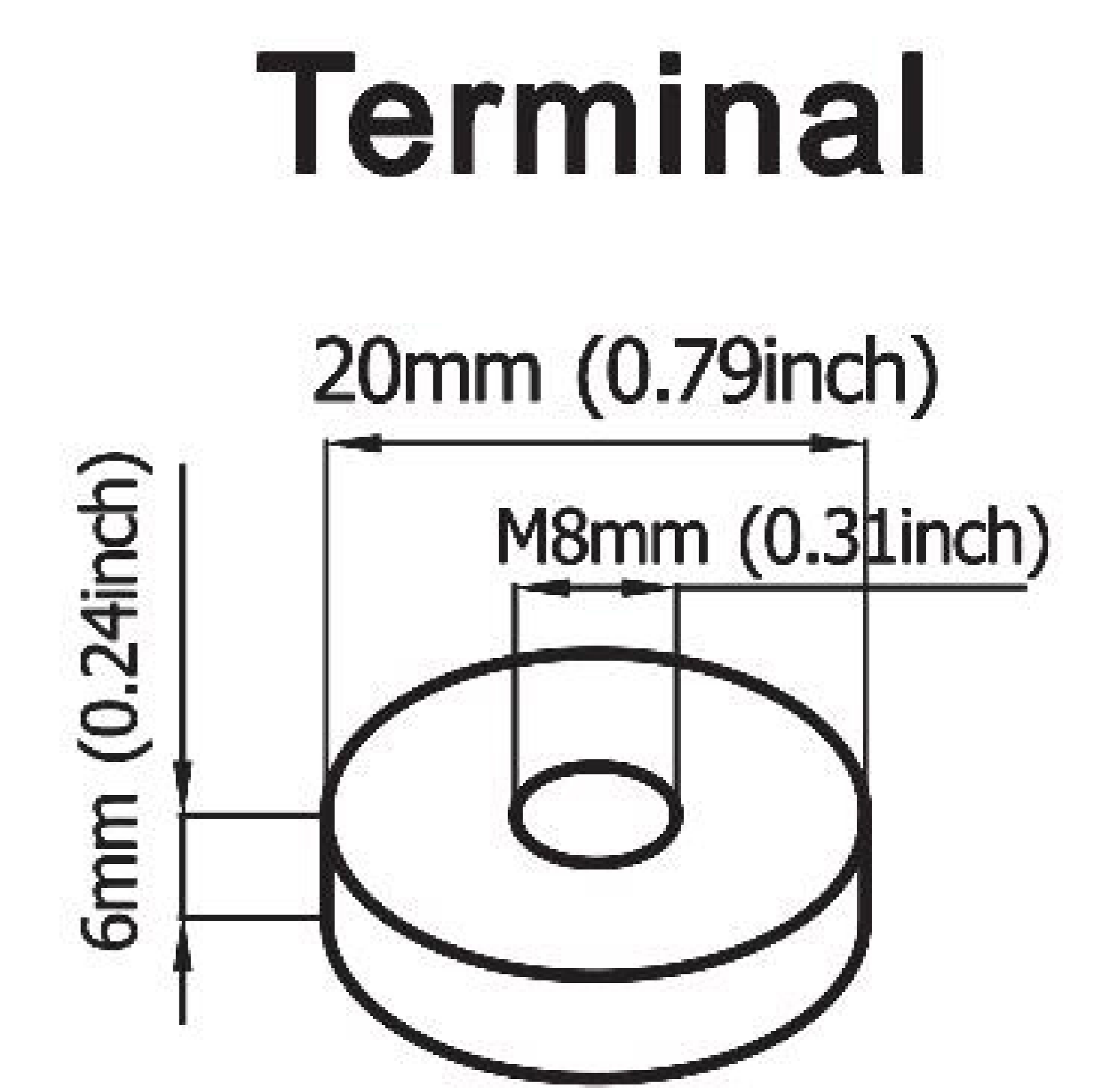
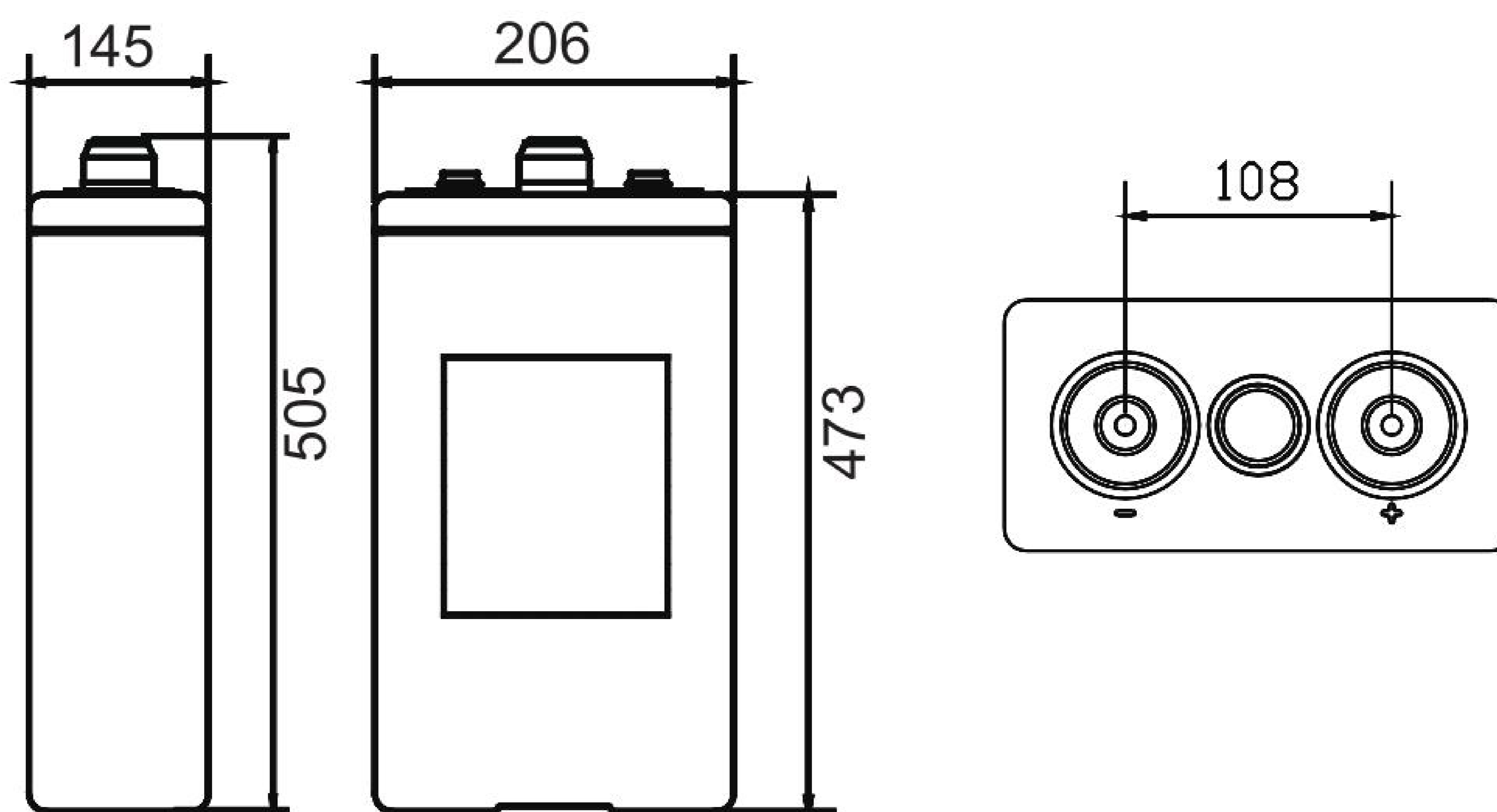
- IEC 60896-21/22
- DIN 40742
- YD/T 1360-2005

### DIMENSION(mm/inch)

### OUTER DIMENSIONS

### TERMINAL TYPE

- **Length**  
145±2.0mm (4.79±0.08inch)
- **Width**  
206±2.0mm (8.24±0.08inch)
- **Container Height**  
473±2.0mm (18.92±0.08inch)
- **Total Height**  
505±2.0mm (20.20±0.08inch)



[M8 BOLT]

Terminal Hardware Initial Torque:13(5.5Nm±5%)

### Constant power discharge characteristics at 25°C/77°F Unit:W

F.V/Time	15MIN	30MIN	1HR	2HR	3HR	5HR	10HR	20HR
1.70V	765.5	597.5	330.5	225.5	196.8	143.3	89.5	32.4
1.75V	736.5	585.5	321.0	222.0	184.3	112.3	89.0	32.1
1.80V	698.0	568.5	294.8	208.5	150.5	101.0	78.5	32.1
1.90V	621.5	399.8	258.8	198.0	128.3	84.0	74.5	30.4

Charge Voltage	
Cycle use	2.35-2.40V (±4mV)
Max Current	75 A

### Constant current discharge characteristics at 25°C/77°F Unit:A

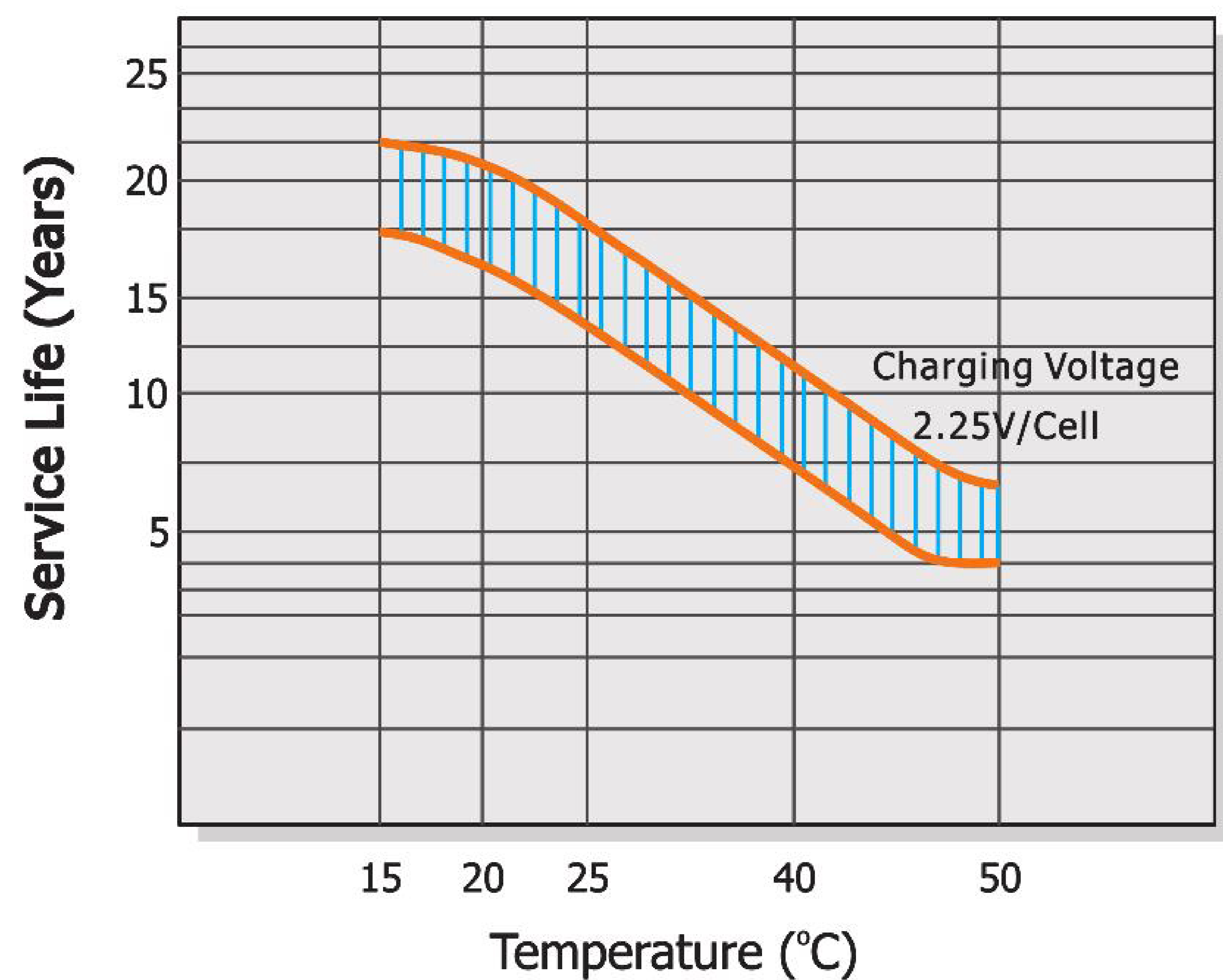
F.V/Time	15MIN	30MIN	1HR	2HR	3HR	5HR	10HR	20HR
1.70V	312.0	272.0	217.0	171.5	118.0	75.5	39.5	21.6
1.75V	288.0	260.5	212.0	169.5	112.0	70.3	37.3	21.5
1.80V	264.0	240.0	204.0	166.5	90.0	68.8	30.0	21.5
1.90V	204.0	198.0	178.0	105.0	83.0	61.0	27.8	20.5

Float Use
2.25-2.30V (±3mV)

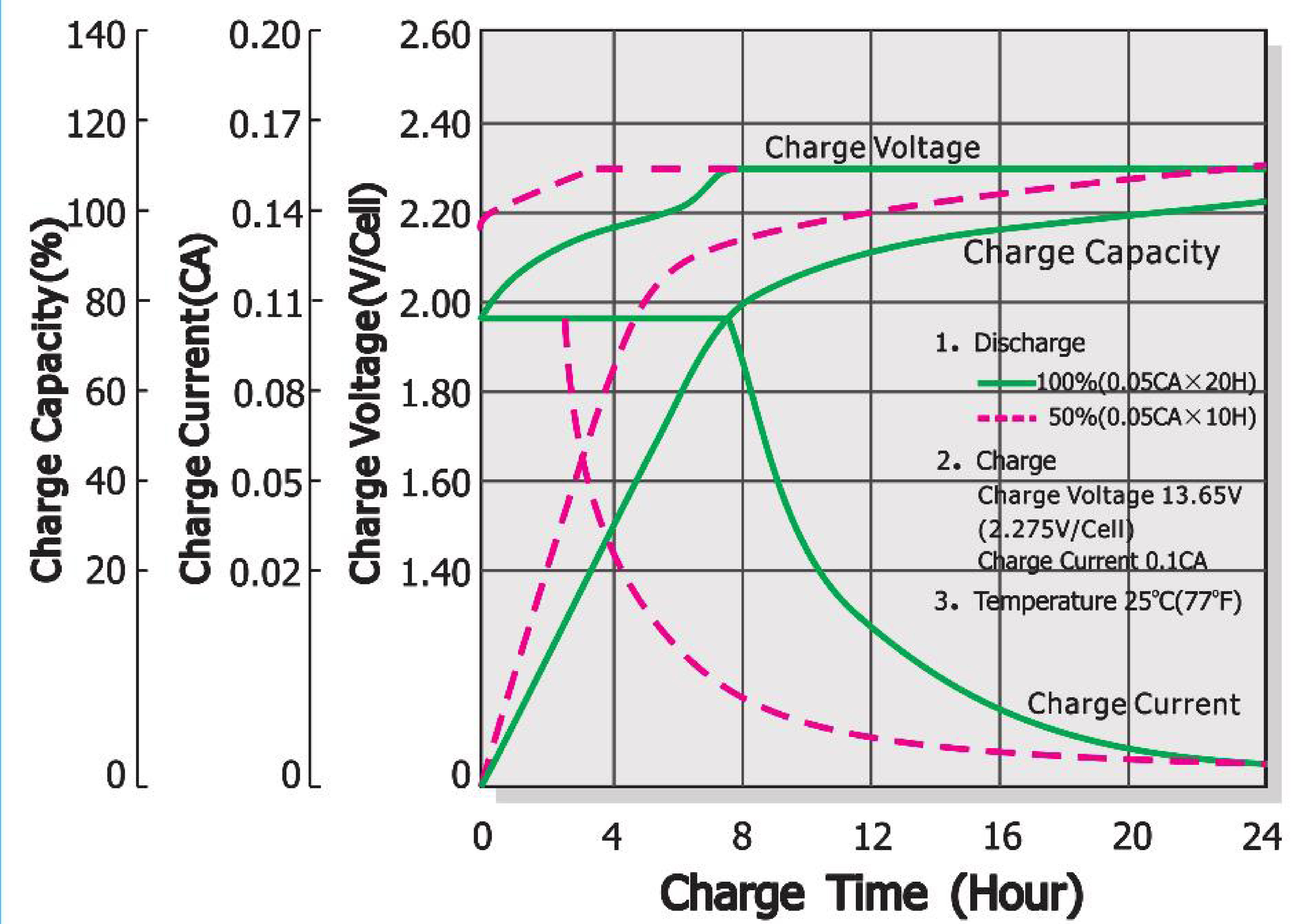
# OPzV Tubular-Gel Battery

## 2V400AH

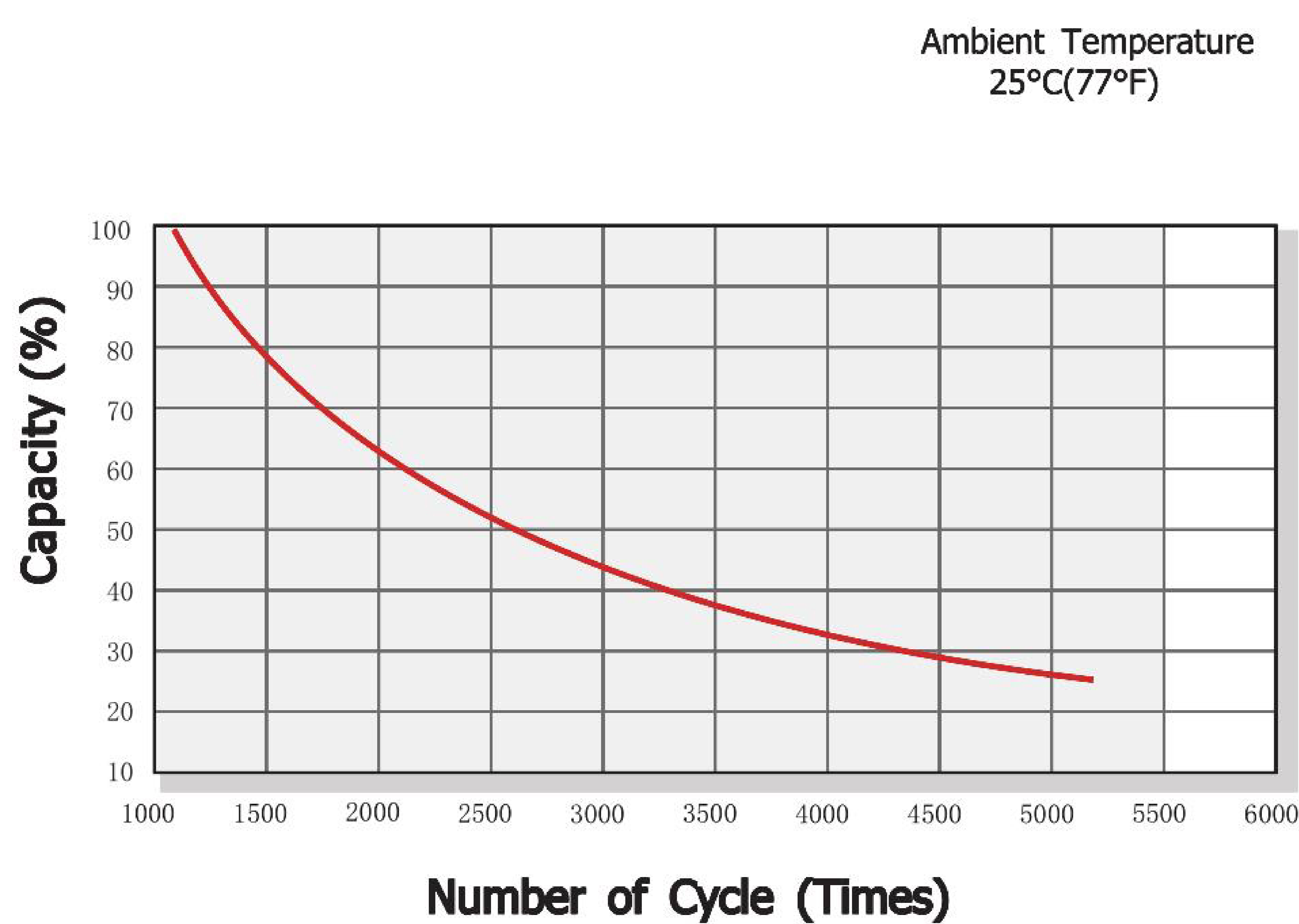
### Trickle(or Float) Service Life



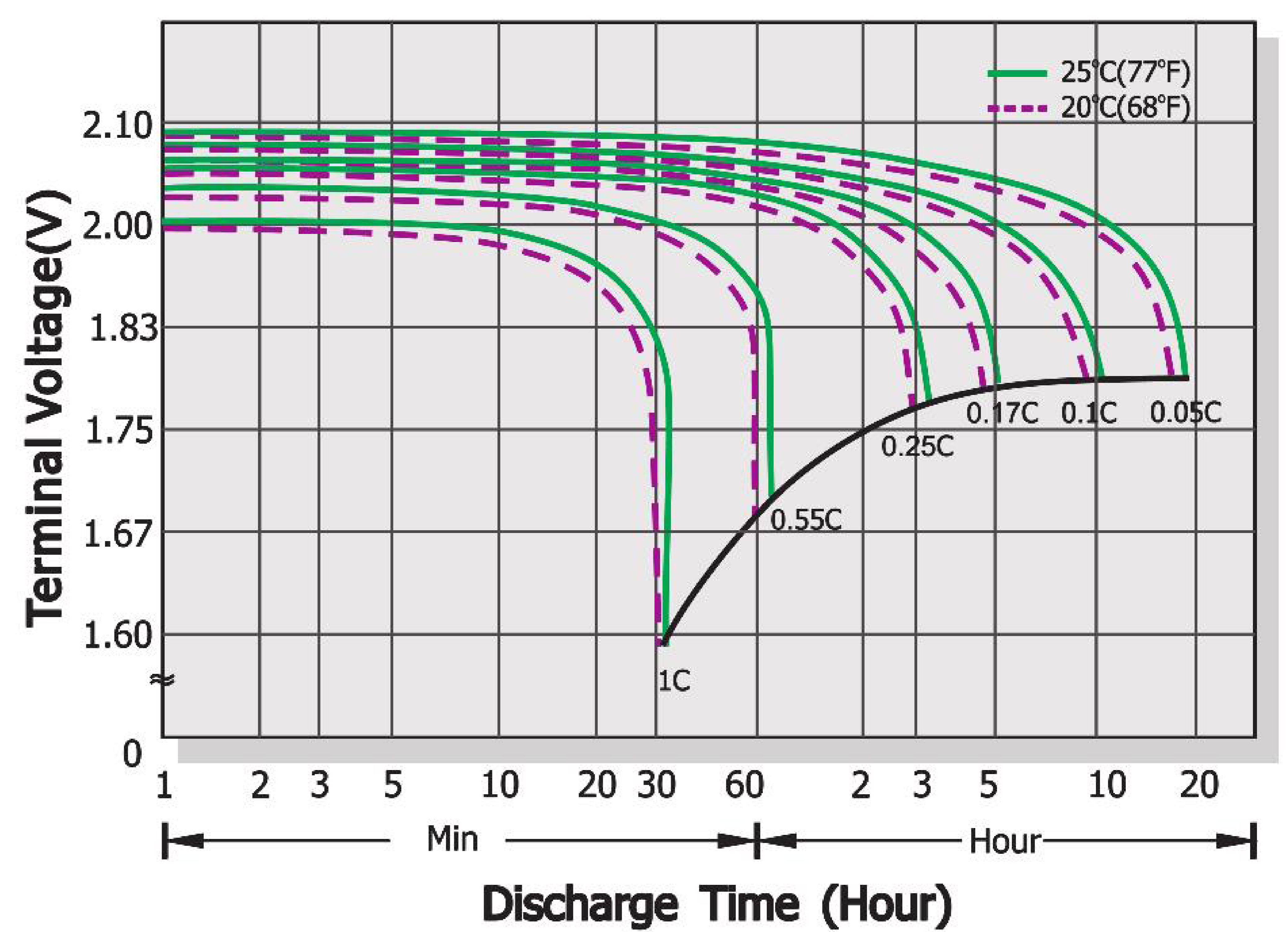
### Charge Characteristic



### Cycle Service Life



### Discharge Characteristic



### Capacity Factors With Different Temperature

Battery Type		-20°C	-10°C	0°C	5°C	10°C	20°C	25°C	30°C	40°C	45°C
GEL Battery	6V&12V	55%	75%	85%	88%	90%	98%	100%	102%	104%	105%
	2V	65%	80%	88%	90%	92%	99%	100%	103%	105%	106%
AGM Battery	6V&12V	46%	66%	76%	83%	90%	98%	100%	103%	107%	109%
	2V	55%	70%	80%	85%	92%	99%	100%	104%	108%	110%