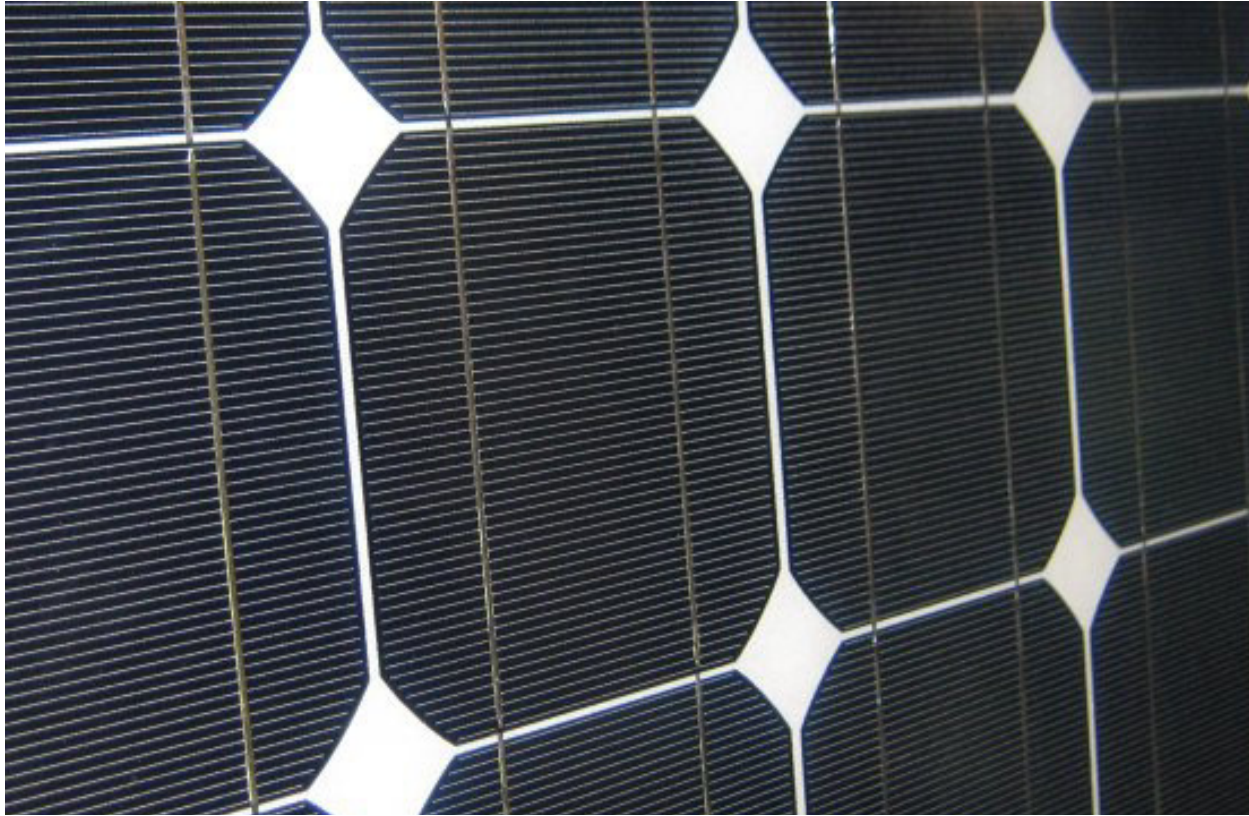




# 160W/12v MONO SOLAR PANEL

PSC MDL-302

PSC SOLAR (UK)



### MONO CRYSTALLINE SOLAR PANELS

- ✓ SUPER HIGH-EFFICIENCY
- ✓ CELL EFFICIENCIES OF UP TO 30%
- ✓ HIGH CHARGING CURRENT -9.0A
- ✓ ADVANCED LOWLIGHT TECHNOLOGY
- ✓ HIGH POWER DENSITY +W/M<sup>2</sup>
- ✓ 12V, 24V AVAILABLE
- ✓ 25YEAR WARRANTY

### QUALIFICATIONS & CERTIFICATES

IEC 61215, IEC 61730, CE MCS, ISO 9001:2008, ISO 14001:2004, BS OHSAS 18001:2007, PV Cycle, SA 8000

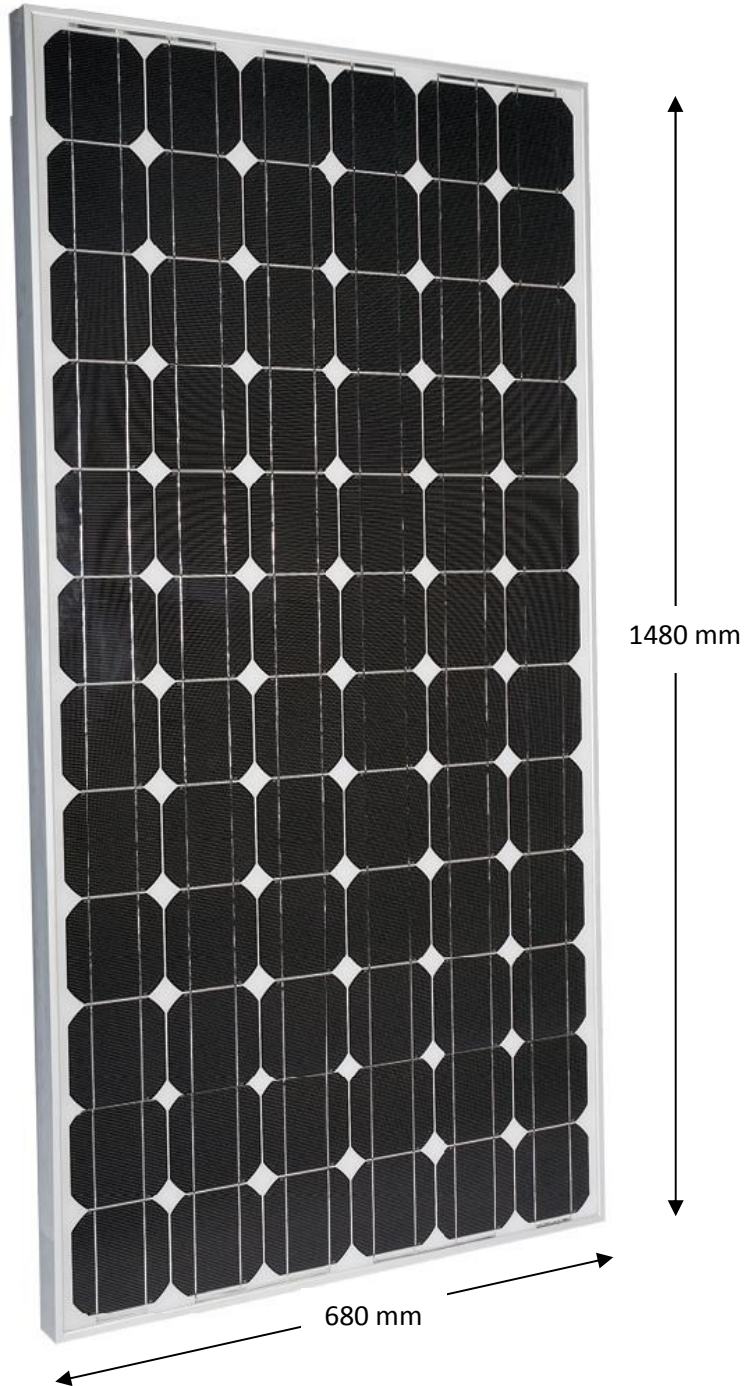


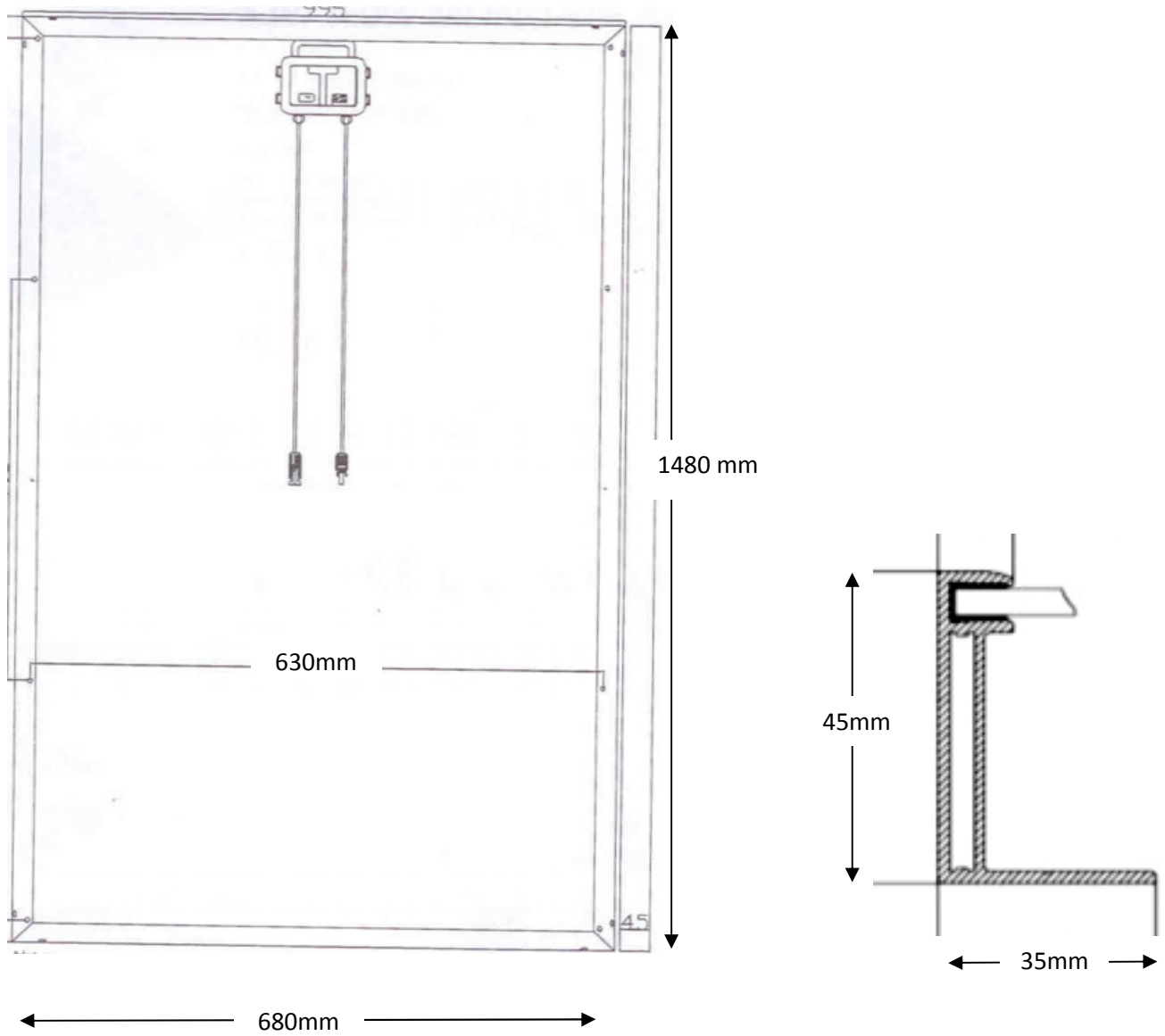
# PV Module Performances

(Test Condition: 1000W/m<sup>2</sup>, AM1.5, 25°C)

Silicon Parameter		Type	Super high efficiency 160w /12v PSC MDL-302
<b>Silicon Type</b>			Mono-crystalline silicon
<b>Maximum Power</b>	Watt		160w
<b>Production tolerance</b>			±5%(power)
<b>Maximum Power Voltage</b>	V		18.2
<b>Maximum power current</b>	A		8.95
<b>Open circuit voltage</b>	V		21.56
<b>Short circuit current</b>	A		8.29
<b>Cell efficiency</b>	%		26.88
<b>Module efficiency</b>	%		25.65
<b>Size of module (W x H)</b>			1480mm X 680mm
<b>Frame( type, material and thickness)</b>			Anodised Alu. Alloy frame, 35mm thick
<b>Number of cells</b>			60pcs
<b>Size of cell</b>			156mm X 156mm
<b>Weight per piece</b>			18kg
<b>Type of junction box</b>			PV junction box
<b>Cable type and length,</b>			PV cable, 0.9m
<b>Connector type</b>			Plug and socket
<b>Maximum system voltage</b>			1000v
<b>Temperature coefficient of Isc</b>			+3.6mA / °C
<b>Temperature coefficient of Voc</b>			-0.1567V / °C
<b>Temperature coefficient of Pm</b>			-0.5358% / °C
<b>Nominal Operating cell temperature (NOCT)</b>			47°C(±2°C)
<b>Wind Bearing</b>			60m/s(200kg/sq.m)
<b>Impact Resistance Hail Impact Test</b>			227g steel ball fall down from 1m height
<b>Quality guarantee</b>			35years
<b>FF(%)</b>			68% - 72%
<b>Packing</b>			Carton pallet

PSC-MDL-302	SOLAR MODULE	Contract Number	
		Delivery date	





Collins	2014-07-14	Audit	Lihaiyang	2014-07-14
Benning	2014-07-14			