

XSM-XXXM-SS (XXX:435~455)

Monocrystal Silicon solar panels



Excellent low light performance



Better mechanical loading tolerance



Well-adapted to harsh environments

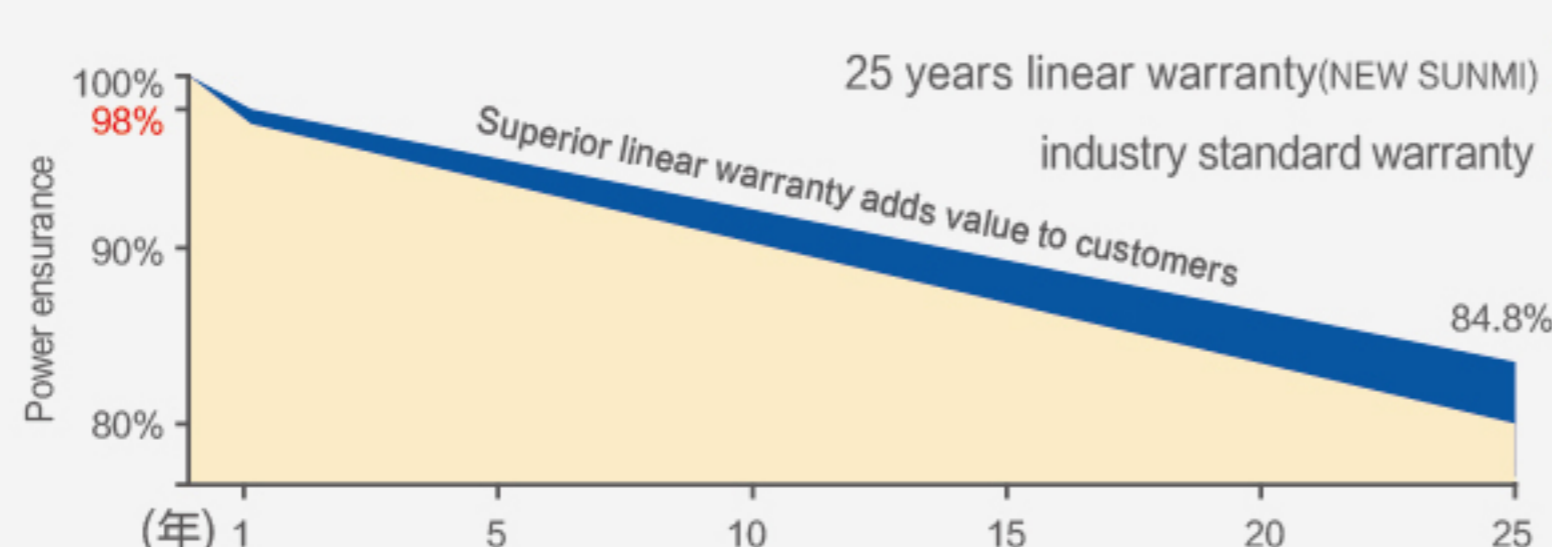


Strong resistance to crack



Excellent fireproof

Leading performance warranty in Industry
12 Years product warranty, 25 years linear warranty



WWW.NEWSUNMI.COM

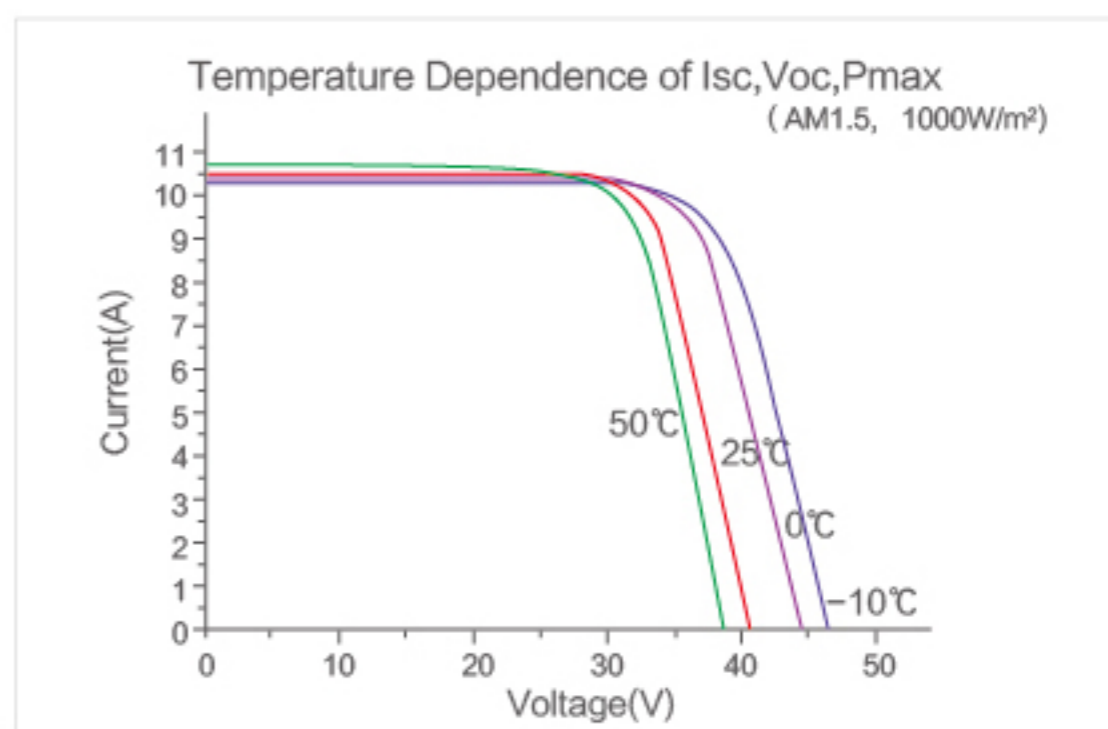
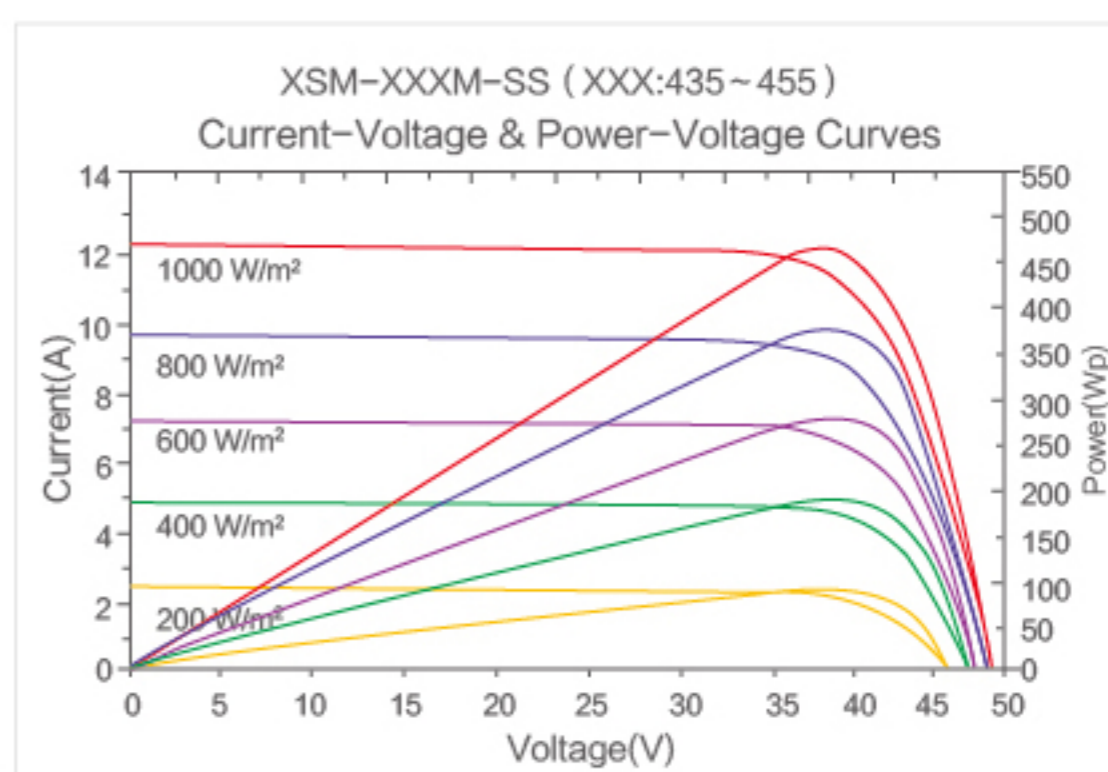
★For specific product warranty terms, please refer to the valid version of warranty document published by Hebei Newsunmi New Energy Co., Ltd

XSM-XXXM-SS (XXX:435~455)

Monocrystal Silicon solar panels

Electrical Performance

Cell	Mono 166mm × 166mm 9BB
No. of cells	144片 (6 × 12 + 6 × 12)
Dimensions	2102 × 1040 × 35
Weight	24.5kg
Front cover	high transparency, low-iron, tempered glass
Backsheet	White
Frame	Anodized aluminium alloy, Silver
Junction Box	IP68, 1500VDC, 3bypass diode
Cables	4.0mm ² (12AWG), positive pole(+)300mm, negative electrode (-)300mm(including connectors)



Electrical Parameters (STC)

Type	XSM-435W-166/144	XSM-440W-166/144	XSM-445W-166/144	XSM-450W-166/144	XSM-455W-166/144
Rated Maximum Power (Pmax)	435	440	445	450	455
Open Circuit Voltage (Voc)	49.000	49.200	49.400	49.600	49.800
Short Circuit Current (Isc)	11.310	11.390	11.460	11.530	11.610
Maximum Power Voltage (Vmp)	40.500	40.700	40.800	41.000	41.200
Maximum Power Current (Imp)	10.740	10.820	10.900	10.980	11.060
Module Efficiency	20.01	20.24	20.47	20.70	20.93

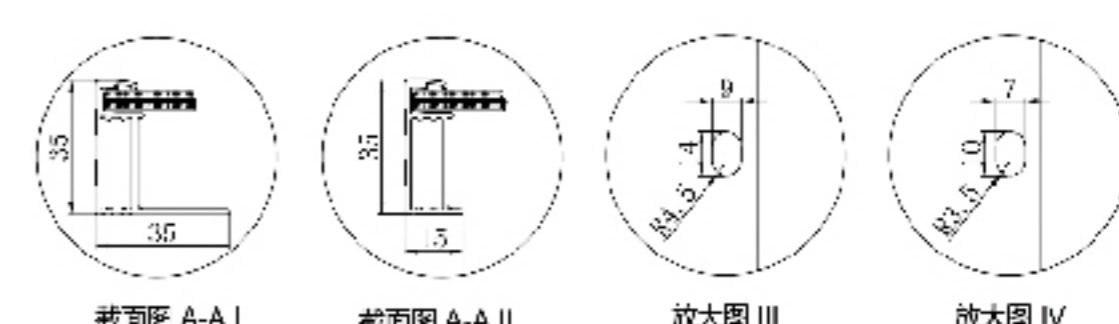
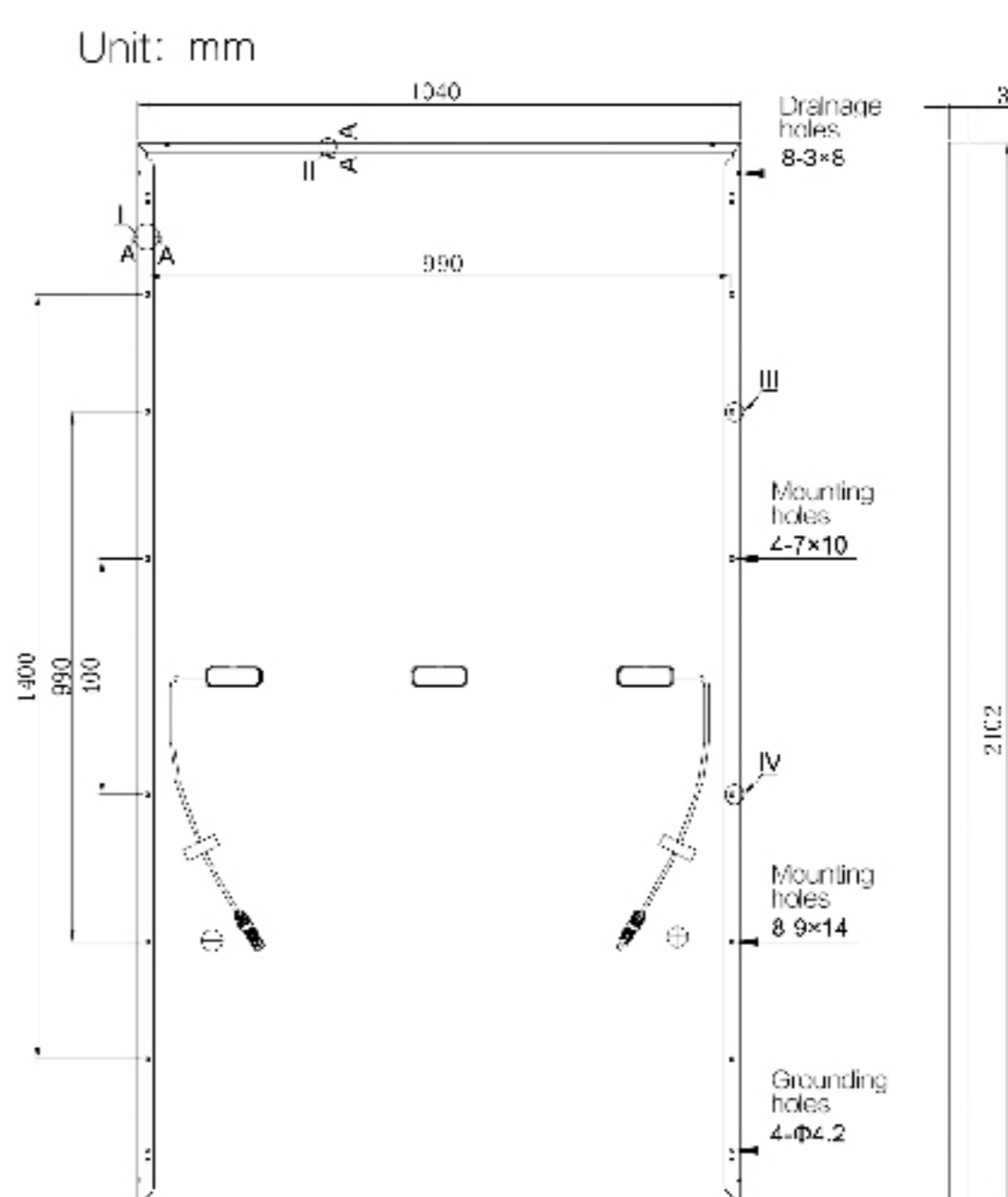
STC: Irradiance 1000W/m², cell temperature 25°C, AM1.5

★Module Efficiency η: The values have been rounded off

Packaging specifications

Container	40ft(HQ)
Pcs	660
Pcs/carton	30
number of carton	22
Packaging box dimensions(L × W × H)	2122 × 1060 × 35
Box weight [kg]	755

Engineering Drawings



Warning: Read the Installation and User Manual in its entirety before handling, installing, and operating Newsunmi Solar modules.



Hebei Newsunmi New Energy Co., Ltd

Add(CN): Room 1712, 17th Floor, Block B, Baoding Zhongguancun Science Park, 1799 Chaoyang North street, Baoding City

Tel: +86 312 4173328

Add(NZ): 35 Travis View Drive, Albany, Auckland, New Zealand

Tel: +64 22 6927706