

URE

United Renewable Energy Co., Ltd.

EN

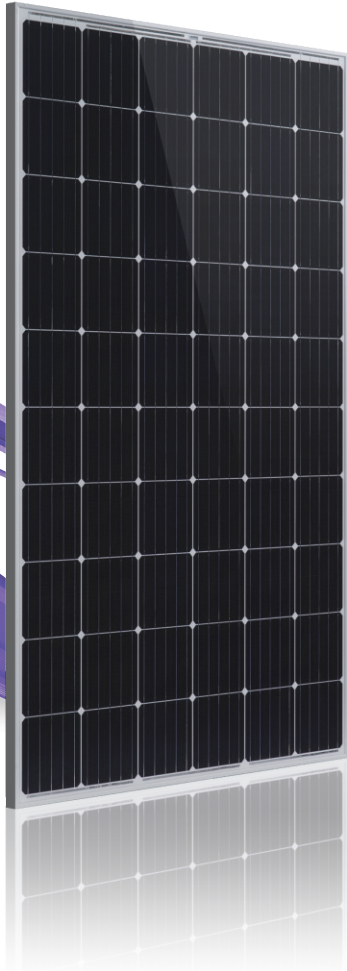


F6M_H3A / 60 cells

305W - 320 W

Mono-Crystalline PV Module

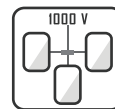
URE Power series module uses URE own high efficiency p-PERC mono crystalline solar cells with aesthetic black design, and advanced module manufacturing experiences.



Key Features



100% EL inline inspection
Better module reliability



Design for 1000 VDC
Reduce the system BOS effectively



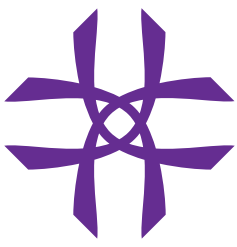
Withstand heavy loading
front load 5400 Pa & rear load 2400 Pa



Excellent low light performance
3.5% relative eff. Reduction at low-irradiance (200W/m²)



For more information, please visit us at www.urecorp.com



URE

United Renewable Energy Co., Ltd.

Electrical Data

Model - STC		F6M305H3A	F6M310H3A	F6M315H3A	F6M320H3A
Maximum Rating Power (Pmax)	[W]	305	310	315	320
Module Efficiency	[%]	18.75	19.05	19.36	19.67
Open Circuit Voltage (Voc)	[V]	40.15	40.63	40.91	41.30
Maximum Power Voltage	[V]	32.91	33.25	33.55	33.87
Short Circuit Current (Isc)	[A]	9.79	9.85	9.91	9.97
Maximum Power Current	[A]	9.27	9.33	9.39	9.45

*Standard Test Condition (STC): Cell Temperature 25 °C, Irradiance 1000 W/m², AM 1.5

*Values without tolerance are typical numbers.Measurement tolerance:±3%

*Assembly in China

Mechanical Data

Item	Specification
Dimensions	1640 mm (L) ¹ x 992 mm (W) ¹ x 35 mm (D) ² / 64.5" (L) ¹ x 39.1" (W) ¹ x 1.38" (D) ²
Weight	18.5 kg / 40.8 lbs
Solar Cell	60 monocrystalline 6" silicon cells
Front Glass	High transmission tempered glass, 3.2mm thickness
Cell Encapsulation	EVA (Ethylene-Vinyl-Acetate)
Back Cover	Composite film, white
Frame	Anodized aluminum alloy
Fire Rating	CLASS C
Junction Box	Tian Sheng TS08-12/TS08-12A/TS08-15A; Holysun J2,
Connector type	Tian Sheng TS02/TS01; Holysun C1/C2
Packaging Configuration	(31+31+4) pcs / Pallet, 924 pcs per 40' HQ container

¹ : With assembly tolerance of ± 2 mm [± 0.08"]

² : With assembly tolerance of ± 0.8 mm [± 0.03"]

Operating Conditions

Item	Specification
Mechanical Load	5400 Pa (Certified by TUV Rheinland)
Maximum System Voltage	TUV 1000 VDC
Series Fuse Rating	15 A
Operating Temperature	-40 to 85 °C

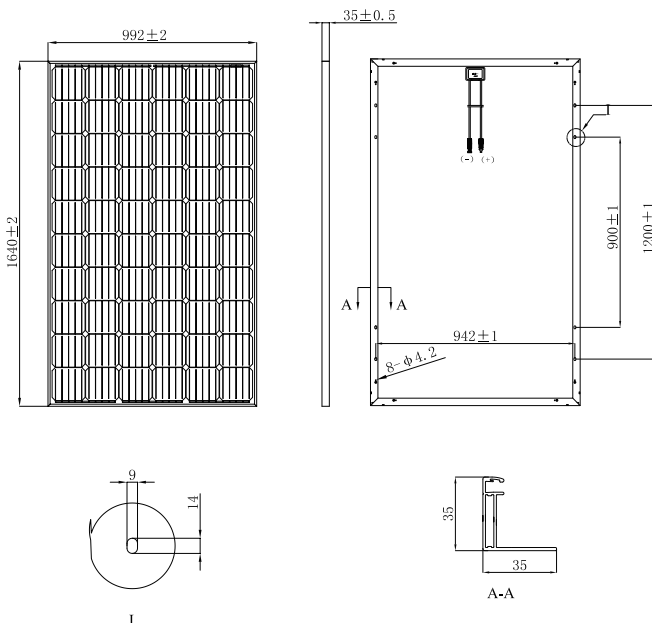
Temperature Characteristics

Item	Specification
Nominal Module Operating Temperature	45°C ± 2°C
Temperature Coefficient of Isc	0.041 % / °C
Temperature Coefficient of Voc	-0.310 % / °C
Temperature Coefficient of Pmax	-0.393 % / °C

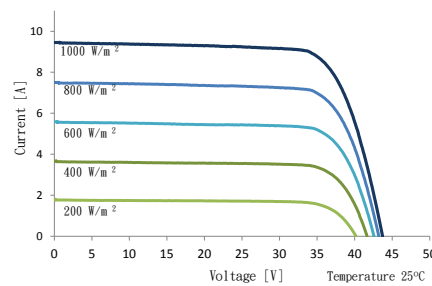
*Nominal module operating temperature (NMOT): Air mass AM 1.5, irradiance 800W/m², temperature 20°C, windspeed 1 m/s.

*Reduction in efficiency from 1000W/m² to 200W/m² at 25°C: 3 ± 2%.

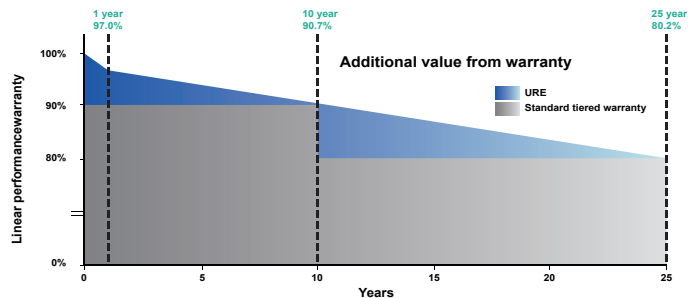
Engineering Drawing (mm)



Dependence on Irradiance



Reliability with Warranty



Output warranty
25
Years

Product Guarantee
12
Years

For more information, please visit us at www.urecorp.com

United Renewable Energy Co., Ltd.

Assemble in China

Copyright © 2019 URE Corp. All rights reserved

Taipei Office

9F, NO. 295, Sec. 2, Tiding Blvd.,
Neihu Dist., Taipei 11493, Taiwan

Tel : +886-2-2656-2000

Fax : +886-2-2656-0593

e-mail : sales@urecorp.com

Headquarters

No. 7, Li-Hsin 3rd Road, Hsinchu Science Park
Hsinchu city 30078, Taiwan

Tel : +886-3-578-0011

Fax : +886-3-578-1255

URE_AUS_Power_F6M_H3A_H1_3.2_35mm_WS_EN_200109