

P60PCS

280W/275W/270W/265W/260W

PRODUCT SPECIFICATION



- Industry leading module power output warranty
- International quality, safety and performance certifications
- Manufacturing facility certified to ISO9001 quality management system standards
- Beautiful appearance, good durability & easy installation
- Special design in accordance with requirements of customers



OHSAS 18001

ISO 9001

ISO 14001



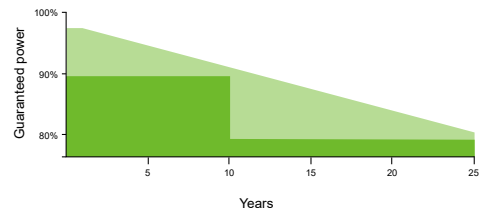
WARRANTIES

12 years for product defects in materials & workmanship

12 years for 90% of warranted minimum power output

25 years for 80% of warranted minimum power output

25 years linear warranty



QUALITY DESIGN | GREAT DURABILITY | EASY INSTALLATION

P60PCS 280W/275W/270W/265W/260W PRODUCT SPECIFICATION

Electrical parameters at standard test conditions
(STC:AM=1.5, 1000W/m², Cells Temperature 25°C)

| Typical type | 280W | 275W | 270W | 265W | 260W |
|----------------------------|---------------|-------|-------|-------|-------|
| Max power(Pmax) | 280 | 275 | 270 | 265 | 260 |
| Max power voltage(Vmp) | 31.4 | 31.1 | 30.9 | 31.12 | 30.82 |
| Max power current(Imp) | 8.92 | 8.84 | 8.73 | 8.52 | 8.44 |
| Open circuit voltage(Voc) | 38.2 | 38.1 | 37.9 | 37.33 | 36.97 |
| Short circuit current(Isc) | 9.4 | 9.32 | 9.22 | 9.03 | 8.94 |
| Cell efficiency(%) | 19.55 | 19.03 | 18.86 | 18.51 | 18.34 |
| Module Efficiency(%) | 17.21 | 16.8 | 16.59 | 16.28 | 15.98 |
| Max system voltage | DC 1000V(TUV) | | | | |
| Maximum Series Fuse Rating | 15A | | | | |

Mechanical Data

| | |
|-----------------|--|
| Dimensions | 1640×992×35mm |
| Weight | 18kgs |
| Front glass | 3.2 mm tempered glass |
| Output cables | 4 mm ² symmetrical lengths 900 mm |
| Connectors | MC4 compatible IP67 |
| Cell type | Poly Crystalline Silicon 156mm×156mm |
| Number of cells | 60 cells in series |

Temperature Characteristics

| | |
|-----------------------------------|---------------|
| Temp.Coeff.of Isc(TK Isc) | 0.05% / °C |
| Temp.Coeff.of Voc(TK Voc) | (-0.32%) / °C |
| Temp.Coeff.of Pmax(TK Pmax) | (-0.41%) / °C |
| Operating temperature | (-40~+85%) °C |
| Normal operating cell temperature | 45±2°C |

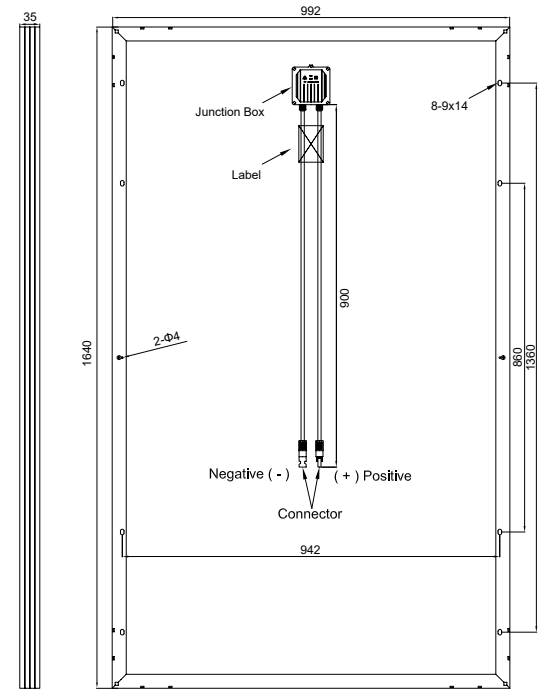
Packing Configuration

| Container | 20'GP | 40'GP | 40'HQ |
|-----------------------|-------|-------|-------|
| Pieces per pallet | 52 | 52 | 60 |
| Pallets per container | 6 | 14 | 14 |
| Pieces per container | 312 | 728 | 840 |

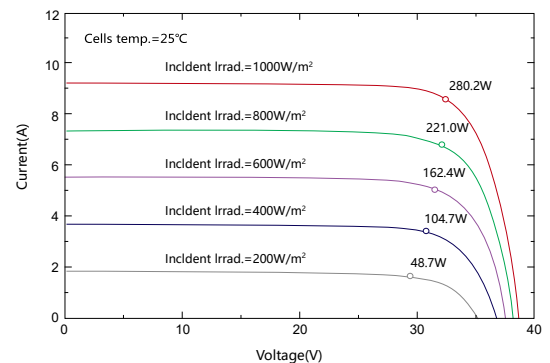
Tests, Certifications and Warranties

| | |
|-------------------------------------|--|
| Standard tests | IEC 61215, IEC 61730 |
| System certs | ISO 9001, ISO14001 |
| Certifications | CQC, TUV, CE, MCS, CEC, CHUBB, PPP58042B, Salt Mist&Ammonia Proof, PID FREE |
| Extreme wind and snow loads testing | Withstand extreme wind(2400 Pascal) and snow loads(5400 Pascal) |
| Positive tolerance | 0~±3% |
| Junction box | IP67 |
| Warranties | 12 years product warranty and 25 years 80% of power |

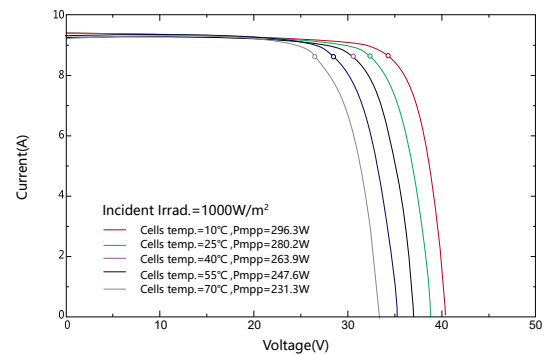
Dimensions and Structure



I-V Curve



I-V Curves at different irradiance



I-V Curves at different temperature