



mounting systems



## Ramp System ProLine

Application	Ground mount and flat roofs
Height of Building	Depends on wind loads on site
PV modules	Framed and frameless
Module layout	Rows up to approx. 12m per frame unit
Module orientation	Portrait and landscape
Pitch	15°
Supporting profiles	Extruded aluminium (ENAW 6063 T66)
Small parts	Stainless steel (V2A), Extruded aluminium (ENAW 6063 T66)
Colour	Aluminium: plate finish
Warranty	10 years



Ground mount



Flat roof



Framed Module



Frameless Module



Orientation portrait



Orientation landscape

### Configuration

2x Portrait



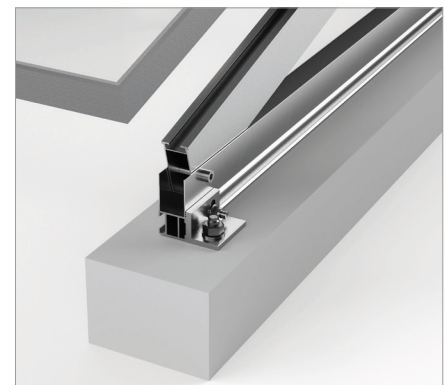
3x Portrait



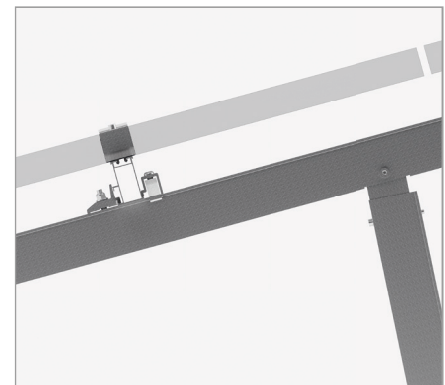
3x Landscape



4x Landscape



Adapter for dowels



Side view (cross rail options)

