

RESS ePower SA Series

48V 4.8KWh

51.2V 5.12KWh



Advanced Features

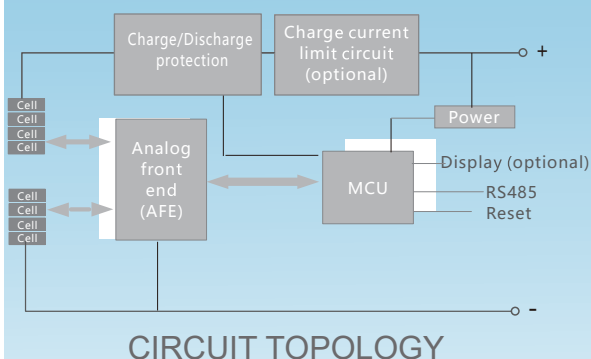
- ◆ Up to 10 years service life and more than 4400 cycles
- ◆ Compact modular design gives the end customers the choice of capacity
- ◆ Deliver up to 5KW with a single module
- ◆ Compatible with most of the available Hybrid inverters
- ◆ Simple buckle fixing minimize the installation time and cost
- ◆ Product certification CE, IEC 62619, UN 38.3, RoHS
- ◆ Multiple safety fault protection settings to fit transportation mode, sleep mode and permanent failure mode
- ◆ Intelligent battery management system inside

Product Introduction

The ACE residential energy storage system (RESS) ePower series battery packs can work with a solar energy storage systems and optimize system performance, absorb excessive PV electricity and supply power for residence whenever needed. This product can be wall mounted or floor mounted and allows for parallel connection.

Application Scenarios

- ◆ Residential application
- ◆ Small commercial or industrial areas
- ◆ Telecom base stations
- ◆ Micro off-grid systems





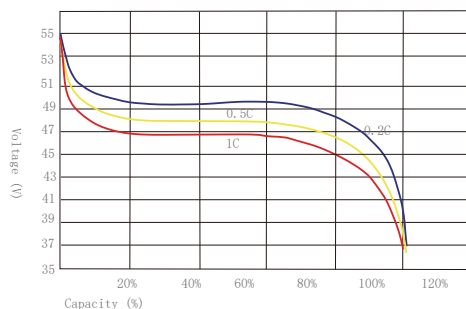
48V Li ion Battery

■ Specifications

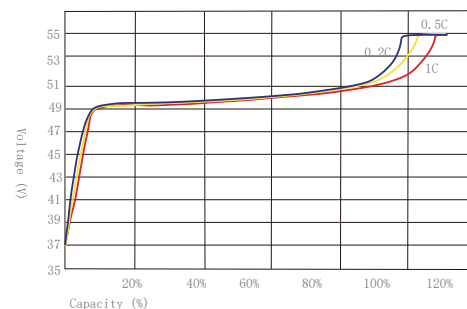
Model	ACERESS4810-R(E)	ACERESS4810-R
Rated Voltage [V]	48	51.2
Rated Capacity [Ah]	100	100
Total Energy [KWh]	4.8	5.12
Inner Resistance [mΩ]	≤10	≤10
Charge Voltage [V]	54	57.6
Max. Charge Current [A]	100	100
Recommend Charge Current [A]	50	50
Continuous Discharge current [A]	100	100
Peak Discharge current [A]	150	150
Dimensions [L*W*H, mm]	442*400*130	442*400*130
Weight [Kg]	36	38
Cycle	>4400cycles	
IP Grade	20	
Charge Operating Temperature	0°C~50°C	
Discharge Operating Temperature	0°C~50°C	
Relative Humidity	0%RH-95%RH	
Communication Port	RS485, RS232, CAN	
Certification	CE, IEC62619, UN38.3, RoHS	

■ Battery pack in parallel install process to system, diagram for battery pack in parallel install process to system as below.

■ Performance Curve



Discharge Performance at 25°C



Charge Performance at 25°C