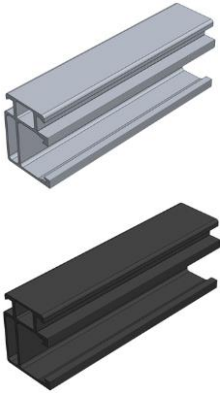


Magerack Rail-based Solar Mounting System

Catalog/Specification Sheet

Material: Aluminum alloy 6061-T6, aluminum 3003-H14, and 304 stainless steel
Finish: Clear and black anodized or mill finish
Warranty: 25-year limited warranty

Rails



Part #	Description	Finish	Compatible PV Modules
101-001-110	Rail – 126" (10'6")	Clear	Any framed PV modules
101-001-114	Rail – 168" (14')		
101-001-117	Rail – 204" (17')		
101-001-120	Rail – 240" (20')		
101-001-210	Rail – 126" (10'6")	Black	
101-001-214	Rail – 168" (14')		
101-001-220	Rail – 240" (20')		

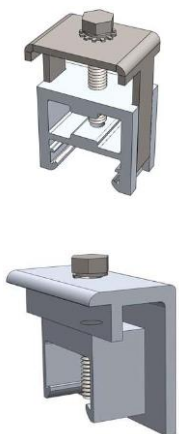
Mid Clamps



Part #	Description	Finish	PV Module Frame Depth
101-002-301	Mid clamp with integrated bonding	Clear	>=1.22" (31 mm)
101-002-401		Black	

Part #	Description	Finish	PV Module Frame Depth
101-002-201	Mid clamp with bonding clip	Black	>=1.34" (34 mm)
101-002-202			>=1.22" (31 mm)

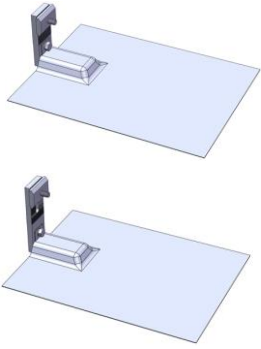
End Clamps



Part #	Description	Finish	PV Module Frame Depth
101-003-301	Universal end clamp with integrated bonding	Clear	1.22"-1.65" (31-42 mm)
101-003-401	Universal end clamp	Black	1.22"-1.65" (31-42 mm)

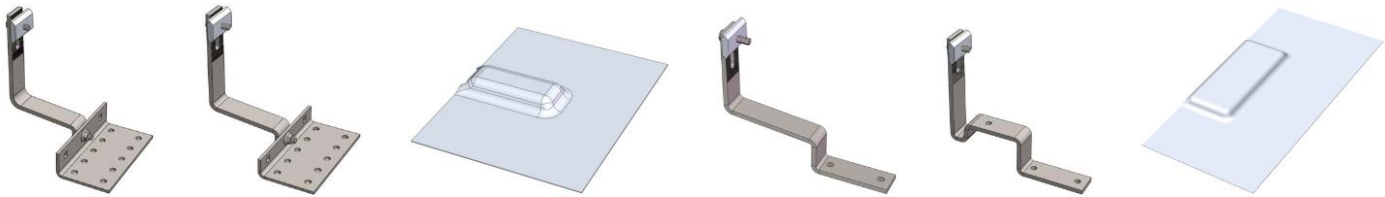
Part #	Description	Finish	PV Module Frame Depth
101-003-233	End clamp for 32-33 mm module	Black	1.26"-1.30" (32-33 mm)
101-003-235	End clamp for 35 mm module		1.34"-1.38" (34-35 mm)
101-003-240	End clamp for 40 mm module		1.54"-1.57" (39-40 mm)

Roof Attachments with Rail Nut for Composition Shingle Roof



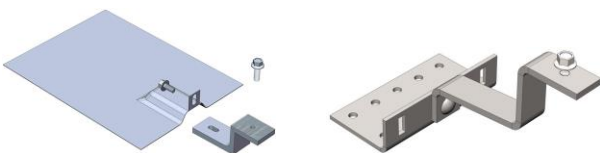
Part #	Description	Slot Height
101-006-101	L-foot with flashing and rail nut (3.5" L-foot, rail nut and bolt/washer, flashing)	2.24" – 2.87" (56.9 – 72.9 mm)
101-006-102	Tall L-foot with flashing and rail nut (3.5" Tall L-foot, rail nut and bolt/washer, flashing)	3.24" – 3.87" (82.3 – 98.3 mm)
101-006-201	Black L-foot with black flashing and rail nut (3.5" black L-foot, rail nut and bolt/washer, black flashing)	2.24" – 2.87" (56.9 – 72.9 mm)
101-006-202	Black Tall L-foot with black flashing and rail nut (3.5" black Tall L-foot, rail nut and bolt/washer, black flashing)	3.24" – 3.87" (82.3 – 98.3 mm)

Roof Attachments with Rail Nut for Tile Roof and Steel Tile Roof



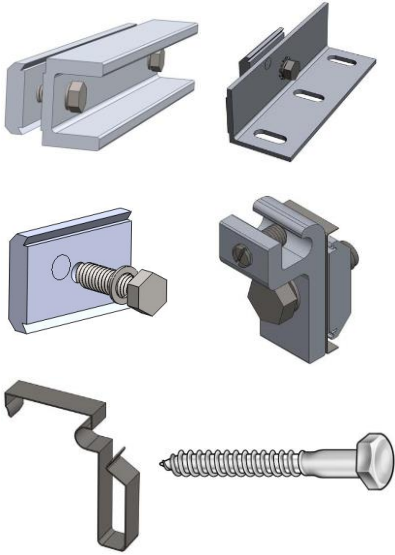
Part #	Description	Slot Height
101-008-102	Height-adjustable tile hook with rail nut (tile hook top and bottom with carriage bolt and flange nut, rail nut and bolt/washer). Tile clearance: 1.25" – 2.13"	5.1" – 7.3" (129 – 186 mm)
101-008-103	Height-adjustable low tile hook with rail nut (tile hook top and bottom with carriage bolt and flange nut, rail nut and bolt/washer). Tile clearance: 1.1" – 1.5"	4.2" – 6.0" (107 – 152 mm)
101-008-100	Flashing for tile hook and low tile hook (13"x7", fit 101-008-102 and 101-008-103)	
101-008-104	Flat tile hook with rail nut (flat tile hook, rail nut and bolt/washer). Tile clearance: 1.5"	4.4" – 5.9" (113 - 151 mm)
101-008-106	Stone-coated steel roof tile hook with rail nut (steel roof tile hook, rail nut and bolt/washer). Tile clearance: 2"	5.0" – 6.5" (128 - 166 mm)
101-008-300	Flashing for flat tile hook and stone-coated steel roof tile hook (9"x7", fit 101-008-104 and 101-008-106)	

Conduit Mounts



Part #	Description
201-122	Comp conduit mount with flashing for composition shingle roof
201-126	Height-adjustable tile conduit mount for tile roof

Accessories and Parts



Part #	Description
101-001-301	Rail splice with integrated bonding
101-010-101	Microinverter/optimizer mounting kit with integrated bonding
101-001-201	Rail nut (rail nut, 1-1/4" bolt/washer)
101-001-405	Ground lug
101-010-105	Wire clip
101-020-130	5/16 3" stainless steel lag screw
101-020-135	5/16 3-1/2" stainless steel lag screw
101-020-140	5/16 4" stainless steel lag screw
101-020-145	5/16 4-1/2" stainless steel lag screw
101-020-150	5/16 5" stainless steel lag screw

Contact:

Magerack Corporation
 4453 Enterprise Street
 Fremont, CA 94538
 Sales: 510-656-6661
 Support: 510-656-6667
 Fax: 510-656-6664
 E-mail: info@magerack.com
www.magerack.com

Doc: 101-102-003
 June 2018

www.magerack.com
sales@magerack.com
 510-656-6661

Copyright © 2018 Magerack Corporation. All rights reserved.
 Magerack products are protected by U.S. patents and pending patents.

